



Register your new Bosch now:
www.bosch-home.com/welcome



KAN..



BOSCH

en Installation instructions and
instructions for use
fr Notice de montage et d'utilisation
tr Montaj ve kullanma kılavuzu

دستورالعمل های نصب و راهنمای مصرف کنندگان
دلیل التركيب ودليل الاستعمال

fa
ar

en	3
fr	23
tr	44
fa	fa-1
ar	ar-1

en Table of Contents

Safety and warning information	4
Information concerning disposal	5
Scope of delivery	5
Your new appliance	6
Installation	8
Connecting the appliance	8
Observe ambient temperature and ventilation	8
Switching on the appliance	8
Setting the temperature	8
Switching off and disconnecting the appliance	9
Functions	9
Variable interior design	9
Fridge	10
Freezer compartment	11
Freezing and storing food	11
Automatic ice and water dispenser	12
Water filter	13
How to save energy	15
Operating noises	15
Defrosting	15
Cleaning the appliance	15
Eliminating minor faults yourself	16
Replacing the lamps	18
Calling customer service	18
Installation instructions	19

Safety and warning information

Before you switch ON the appliance

Please read the operating and installation instructions carefully. They contain important information on how to install, use and maintain the appliance.

The manufacturer is not liable for any damage caused by users ignoring the information and warnings contained in the instructions for use.

Keep all documentation for subsequent use or for the next owner.

Technical safety

Warning

- Only customer service may change the power cord and carry out any other repairs. Improper installations and repairs may put the user at considerable risk.

Important information when using the appliance

- Never use electrical appliances inside the appliance (e. g. heaters, electric ice makers, etc.). Risk of explosion!
- NEVER use a steam cleaner to defrost or clean the appliance. Steam may come into contact with electrical components and cause a short-circuit or an electric shock.
- Do not store products which contain flammable propellants (e. g. spray cans) or explosive substances in the appliance. Explosion hazard!
- Do not stand or support yourself on the base, drawers or doors, etc.
- Before defrosting and cleaning the appliance, pull out the mains plug or switch off the fuse. Do not pull out the mains plug by tugging the cable.
- Bottles which contain a high percentage of alcohol must be sealed and stored in an upright position.
- Keep plastic parts and the door seal free of oil and grease. Otherwise, parts and door seal will become porous.
- Never cover or block the ventilation openings for the appliance.
- **Avoiding risks to children and other at-risk persons:**
Those at risk include children, persons with limited physical, cognitive or sensory abilities, and persons who have insufficient knowledge of how to operate the appliance.
Make sure that children and at-risk persons understand the potential dangers involved in using the appliance.
A person responsible for safety must supervise or instruct children and other at-risk persons when they are using the appliance.
Do not allow children under 8 years old to use the appliance.
Supervise children when cleaning and servicing.
Never let children play with the appliance.
- Do not store bottled or canned drinks (especially carbonated drinks) in the freezer compartment. Bottles and cans may explode!

- Do not put an ice lolly or ice cube directly from the freezer compartment into your mouth. **Risk of burns** from very low temperatures!
- Never touch frozen food with wet hands. Your hands could freeze to the food. Risk of injury!
- Do not scrape off hoarfrost or stuck frozen food with a knife or pointed object. You could damage the refrigerant tubing. Leaking refrigerant may cause eye injuries.

Children in the household

- Keep children away from packaging and its parts. Danger of suffocation from folding cartons and plastic film!
- If the appliance features a lock, keep the key out of the reach of children.

General requirements

The appliance is suitable

- for refrigerating food,
- for freezing food,
- for making ice.

This appliance is intended for use up to a maximum height of 2000 metres above sea level.

This appliance is intended for use in the home and the home environment.

The appliance is suppressed according to EU Directive 2004/108/EC.

The refrigerant circuit has been tested for leaks.

This product complies with the applicable safety requirements for electrical appliances (EN 60335/2/24).

Information concerning disposal

Disposal of packaging

The packaging protects your appliance from damage during transit.

All packaging materials are environmentally friendly and recyclable. Please contribute to a better environment by disposing of packaging materials in an environmentally-friendly manner.


Please ask your dealer or inquire at your local authority about current means of disposal.

Warning

Keep children away from packaging and its parts. Danger of suffocation from folding cartons and plastic film!

Disposal of your old appliance

Old appliances are not worthless rubbish! Valuable raw materials can be reclaimed by recycling old appliances.

 This appliance is labelled in accordance with European Directive 2012/19/EU concerning used electrical and electronic appliances (waste electrical and electronic equipment – WEEE). The guideline determines the framework for the return and recycling of used appliances as applicable throughout the EU.

Warning

Redundant appliances:

1. Pull out the mains plug.
2. Cut off the power cord and discard with the mains plug.

Refrigerators contain refrigerants and the insulation contains gases. Refrigerant and gases must be disposed of properly. Ensure that tubing of the refrigerant circuit is not damaged prior to proper disposal.

Scope of delivery

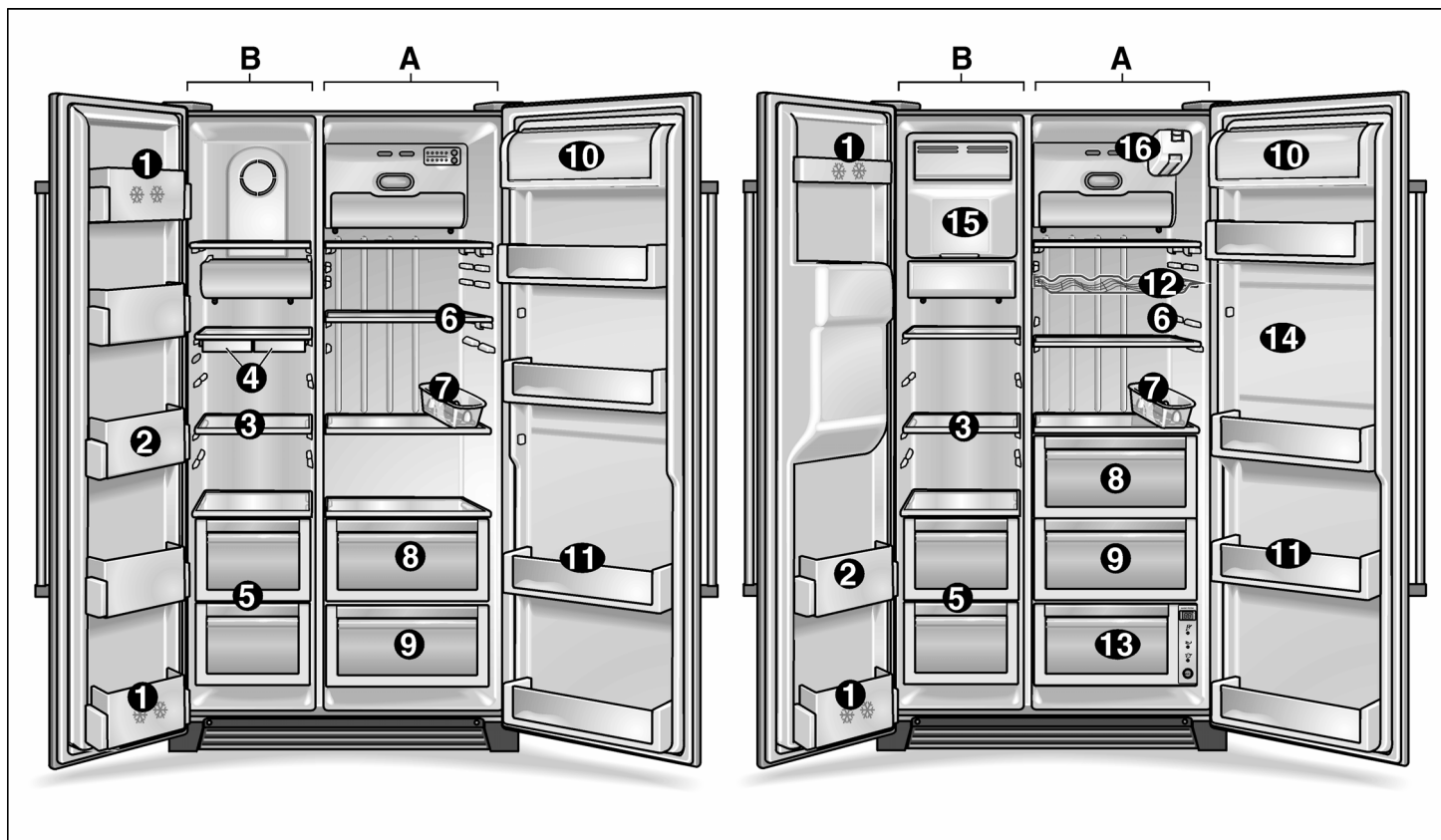
After unpacking the appliance, check all parts for transport damage. If you wish to make a complaint, please contact the dealer from whom you purchased the appliance or our after-sales service.

The scope of delivery includes the following parts:

- Free-standing appliance
- Bag of assembly materials
- Features (vary depending on the model)
- Instructions for use and installation instructions
- After-sales service booklet
- Guarantee slip
- Information on energy consumption and noises

Your new appliance

These operating instructions refer to several models. The illustrations may differ.



- A Refrigerator compartment
B Freezer compartment

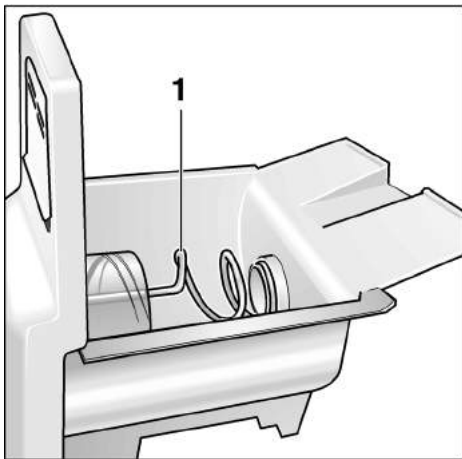
- | | | |
|--|---|--|
| <p>1 Door storage compartment (2-star compartment)
for short-term storage of food and ice cream.</p> <p>2 Door storage compartment
for storage of frozen food.</p> <p>3 Glass shelves in freezer compartment
for storage of frozen food, e.g. meat, fish, ice cream.</p> <p>4 Ice cube container *</p> <p>5 Freezer compartment drawer
for storage of meat, fish, poultry (packaged).</p> | <p>6 Glass shelves in refrigerator compartment
for storage of cooked food, milk products, sausage.</p> <p>7 Egg rack</p> <p>8 Vegetable container</p> <p>9 Fruit container</p> <p>10 Butter and cheese compartment</p> <p>11 Door storage compartment
for storage of tinned food, bottles and jars.</p> <p>12 Wine rack *</p> <p>13 Cool-fresh compartment *
for optimum storage of fish, meat and poultry.</p> | <p>14 Bar compartment *
opens from the outside for quick removal of drinks without opening the refrigerator compartment door.</p> <p>15 Ice maker *
for production and storage of ice cubes.</p> <p>16 Water filter *</p> |
|--|---|--|

* not all models

Note

If some of the indicate parts are missing from your appliance, these parts belong to a different model.

Ice maker



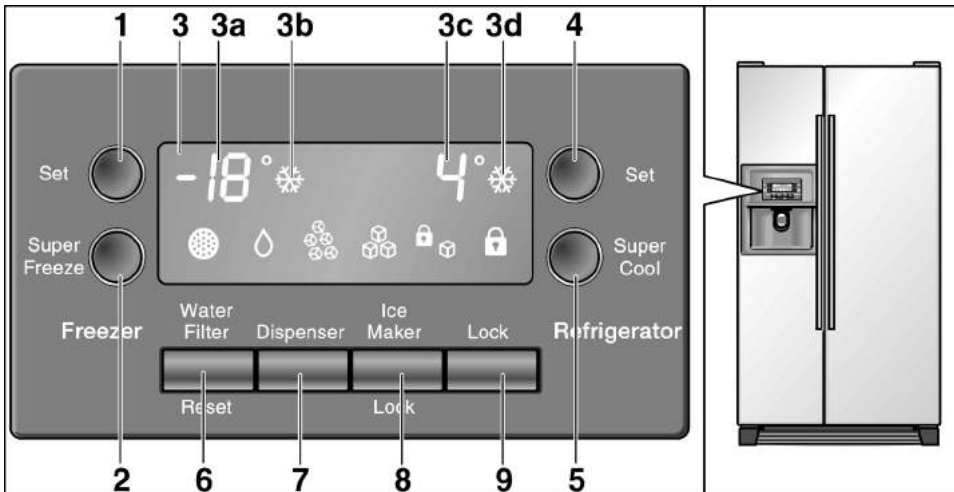
1 Screw conveyor

Ice and water dispenser

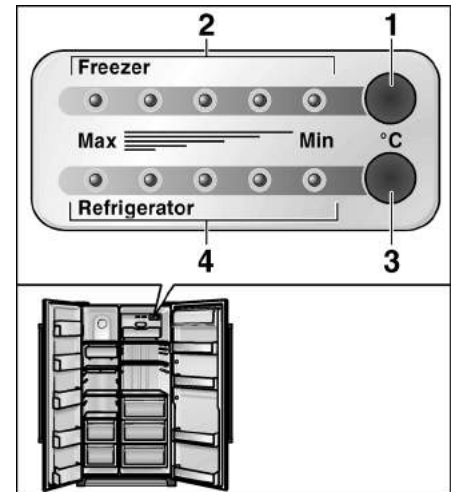


2 Dispenser pad
3 Water collecting tray

Control and display panel



- 1 Selection button for freezer compartment temperature
- 2 “Super” freeze button
- 3 Display panel
- 3a Temperature display, freezer compartment
- 3b “Super” freeze display
- 3c Temperature display, refrigerator compartment
- 3d “Super” cool display
- 4 Selection button for refrigerator compartment temperature
- 5 “Super” cool button
- 6 Reset button, water filter
- 7 Request button for water/ice
- 8 Lock button for ice maker for cleaning or prolonged non-use of the ice maker.
- 9 Lock button for control panel (childproof lock)
Press button to prevent the settings from being unintentionally changed. To release the button, press for longer than a second. The display goes out.



- Temperature control**
- 1 Selection button for freezer compartment temperature
 - 2 LED display Freezer compartment temperature
 - 3 Selection button for refrigerator compartment temperature
 - 4 LED display Refrigerator compartment temperature

Explanation of the symbols on the display panel

	“Filter change required” display. After changing the filter, press the water filter reset button for approx. 5 seconds to switch off the display.		“Water” display
	“Ice maker locked” display		“Crushed ice” display
	“Control panel locked” display		“Ice cubes” display

Installation

Installation location

Install the appliance in a dry, well ventilated room. The installation location should neither be exposed to direct sunlight nor near a heat source, e.g. a cooker, radiator, etc. If installation near a heat source is unavoidable, use a suitable insulating plate or observe the following minimum distances to a heat source:

- 3 cm to an electric cooker.
- 30 cm to an oil or solid-fuel cooker.

The floor on which the appliance is to be installed must be rigid. If required, reinforce the floor.

The appliance is very heavy, for empty weight see the following table.

Basic model	104 kg
Model with dispenser	113 kg
Model with home bar	115 kg

To ensure that the ice maker functions correctly, the appliance must be upright. Align the appliance with a spirit level. To ensure that the doors can open all the way, observe lateral minimum distances when installing the appliance in a corner or recess (see section on “Appliance dimensions”).

Connecting the appliance

After setting up the appliance, wait for at least one hour before starting the appliance up. The oil contained in the compressor may have been displaced into the refrigeration system during transport.

Clean the inside of the appliance before it is first used (see “Cleaning”).

The appliance conforms to protection class I. Connect the appliance to a 220-240 V / 50 Hz alternating current supply using a socket with protective earthing conductor which has been correctly installed.

The socket must be near to the appliance and easily accessible after the appliance has been installed. The socket must be protected by a fuse with a rating of 10 A to 16 A.

In the case of appliances operated outside of Europe, check whether the voltage and type of current specified conform to the values of your power supply.

You will find this information on the rating plate.

Warning

The appliance must never be connected up to an electronic energy-saving socket.

Sinusoidal-commutated and line-commutated inverters can be used with our appliances.

Line-commutated inverters are used with photovoltaic systems that are connected directly to the power supply. Sinusoidal-commutated inverters must be used with standalone applications (e.g. on ships or mountain huts) that do not have a direct connection to the power supply.

Caution:

Fit strain relief when installing or replacing the power cord.

Do not use extension cables or distributors.

Observe ambient temperature and ventilation

Ambient temperature

The atmosphere grade is written on the identification plate. It states the room temperature within which the appliance can be operated.

Atmosphere grade	Permitted ambient temperature
SN	+10 °C to 32 °C
N	+16 °C to 32 °C
ST	+16 °C to 38 °C
T	+16 °C to 43 °C

Note:

The appliance can function within the ambient temperature limits of the specified climate class. If an appliance in the SN climate class is operated at lower ambient temperatures, damage to the appliance can be excluded up to a temperature of +5 °C.

Ventilation

The heated air must be able to escape unimpeded. Otherwise, the refrigerating unit has to work harder, which increases the appliance's power consumption.

Therefore: You must never cover or block the ventilation openings!

Switching on the appliance

- Insert the mains plug into a socket.

The appliance begins to cool down as soon as it is connected to the power supply. When the doors are open, the interior lights come on.

Note:

The preset temperatures (factory settings) are reached after approx. 2 to 3 hours. Do not put any food in the appliance beforehand.

To change the set temperatures → see “Setting the temperature”.

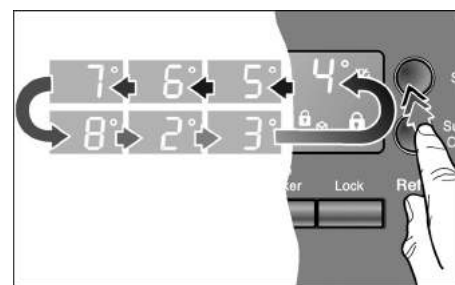
Setting the temperature

Appliances with control panel

- The temperature for the refrigerator and freezer compartments can be adjusted separately. The set value is indicated on the display panel.

To change the values:

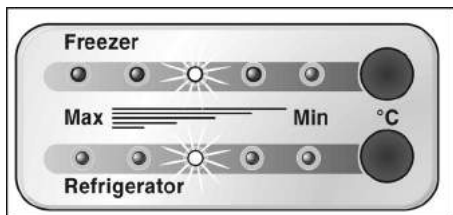
- Keep pressing the Selection button until the required temperature value is indicated.



The value last indicated is saved by the system.

Appliances with temperature control

- The appliance features a separate temperature control for the refrigerator and freezer compartments.
- The factory setting for the refrigerator and freezer compartments is in the mid-range.

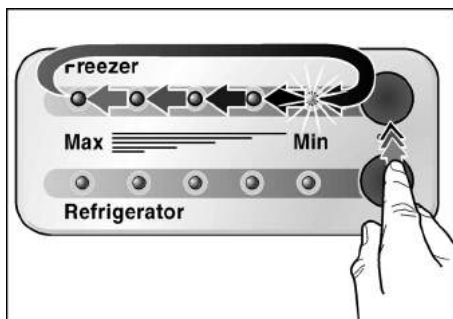


Note:

The 5 LEDs indicate the entire temperature range of the respective compartment, e.g. refrigerator compartment from +2 °C to +8 °C.

To change the values:

- Keep pressing the Selection buttons until the required setting is reached.



The temperature values are displayed in stages from the warmest (Min) to the coldest (Max) setting.

Switching off and disconnecting the appliance

Switching off the appliance

- Pull out the mains plug.

Disconnecting the appliance

If the appliance is not used for a prolonged period:

- Take all food out of the appliance.
- Cut off the water supply.

- Empty the ice cube container (see "Cleaning the appliance").
- Run off the remaining drinking water.
- Pull out the mains plug.
- Remove the water filter.

Note:

Before switching on the appliance again, install a new water filter!

- Clean the appliance interior (see "Cleaning the appliance").

To prevent odours, leave the doors open.

If there is a risk of frost, have a technician empty the water container for the drinking water dispenser (see installation instructions).

If moving house

Remove all detachable parts and pack each one carefully. Secure the doors and flaps with adhesive tape and transport the appliance in an upright position.

Functions

Door alarm

If one of the doors is left open, an alarm signal sounds after one minute and is repeated every 60 seconds for 5 minutes.

Interior light automatically switches off

If an appliance door is left open for longer than 10 minutes, the interior light automatically switches off to prevent overheating. This saves energy.

Energy saving mode

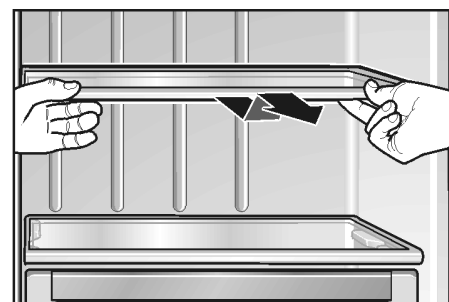
If the doors have been closed for 20 seconds and none of the buttons on the operating/display panel or the ice maker/water dispenser have been pressed during this time, the control panel display will switch to energy-saving mode and the backlighting will be dimmed.

Once the appliance is being used again, e.g. if the door is opened or a button is pressed, the display reverts to normal illuminating power.

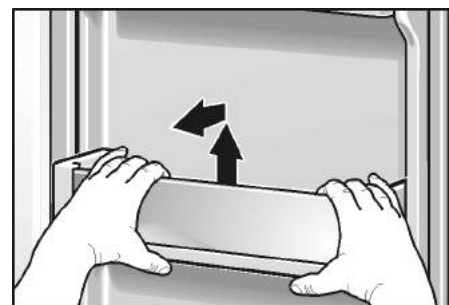
Variable interior design

You can vary the shelves inside the appliance and the containers in the door to suit your requirements.

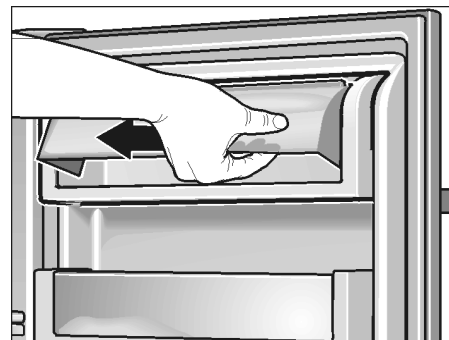
- Pull the shelf forwards and remove.



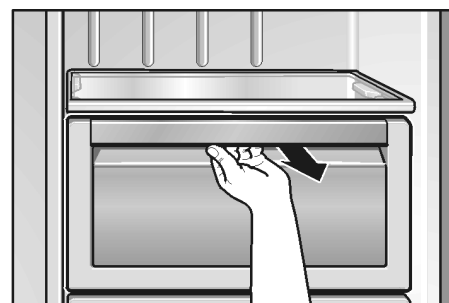
- Lift the container and remove.



- Raise the cover slightly on the butter and cheese compartment, press to the left and remove.



- Pull drawers forwards, raise slightly and remove.



Fridge

The refrigerator compartment temperature can be set from +2 °C to +8 °C. We recommend a setting of +4 °C.

Using the refrigerator compartment

For storage of cakes and pastries, ready meals, tinned food, condensed milk, hard cheese, fruit and vegetables sensitive to the cold: tropical fruit, e.g. mandarins, bananas, pineapples, melons, avocados, papayas, passion fruit, aubergines, also fruit which requires further ripening, tomatoes, cucumbers, green tomatoes, potatoes.

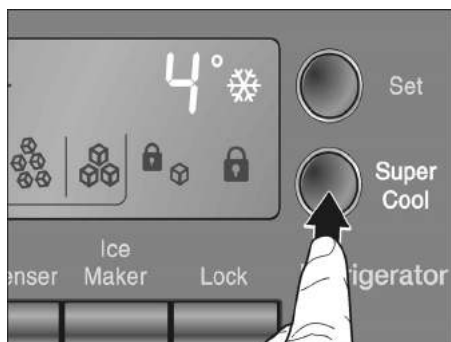
When storing food, comply with the following:

- Allow warm food and drinks to cool down outside the appliance.
- To prevent food from losing its flavour or drying out, place in airtight containers.
- Avoid contact of oil and fat with the plastic parts and door seal.
- Store high-percentage alcohol tightly closed and standing up, do not store any explosive substances in the appliance. Explosion hazard!

“Super” cooling

Function for rapid cooling of food or drinks which are to be stored in the refrigerator compartment. The refrigerator compartment is cooled as cold as possible in “super” cooling mode.

- Press the **Super** button.



Each time the button is pressed, the function is activated or deactivated. The activated “super” cooling function is indicated by the symbol on the display panel.

Bar compartment

(not all models)

To remove drinks, etc. from the refrigerator compartment, it is not necessary to open the door.



“Cool-fresh” compartment

(not all models)

The temperature in this compartment is kept at almost 0 °C. This provides optimum storage conditions for fresh food.

For optimum storage of food:

- Using the Selection button, select the appropriate food (vegetables/fish/meat).

The selection is indicated by a lit LED and temperature.



Note:

- In the “Off” position the compartment adopts the temperature of the compartment situated above.
- The displayed temperature is a required temperature. The temperature in the “cool-fresh” compartment may deviate slightly.

Foods not suitable for the “cool-fresh” compartment:

- Fruit and vegetables sensitive to the cold (tropical fruit, avocados, papayas, passion fruit, aubergines, cucumbers, peppers, lettuce)
- Ripening fruit (green tomatoes, bananas)
- Potatoes
- Hard cheese

When buying food, please note:

The “purchase freshness” is important for the shelf-life of your food. In principle the following applies: the fresher the food is placed in the “cool-fresh” compartment, the longer it will keep. When buying food, always note the degree of freshness.

Storage times (at 0 °C):

Depending on the initial quality

Sausage, cold cuts, meat, offal, fish, fresh milk, curds	up to 7 days
Small pieces of meat, fried sausage, mushrooms, lettuce, leafy vegetables	up to 10 days
Large pieces of meat, ready meals	up to 15 days
Smoked or cured sausage, cabbage	up to 20 days
Large pieces of heat-treated meat, beef, game, pulses	up to 30 days

Freezer compartment

The freezer compartment temperature can be set from $-16\text{ }^{\circ}\text{C}$ to $-22\text{ }^{\circ}\text{C}$. We recommend a setting of $-18\text{ }^{\circ}\text{C}$.

- Use the freezer compartment
- for storing deep-frozen food.
 - to freeze food.
 - to make ice cubes.

Note:

Ensure that the freezer compartment door is always closed. If the door is open, the frozen food will thaw. The freezer compartment will become covered in thick ice. Also: Energy will be lost due to high power consumption.

“Super” freezing

Fast freezing is used to freeze large quantities of fresh food and, depending on the quantity, must be switched on up to 24 hours before the food is placed in the freezer compartment. The freezer compartment is cooled as cold as possible in “super” freezing mode.

- Press the **Super** button.



Each time the button is pressed, the function is activated or deactivated. The activated “super” freezing function is indicated by the symbol on the display panel.

Freezing and storing food

Storing deep-frozen food

When purchasing deep-frozen food, comply with the following:

- Check that the packaging is not damaged.
- Check the sell-by date.
- The temperature of the supermarket freezer should be $-18\text{ }^{\circ}\text{C}$ or lower. If not, the storage life of the food is reduced.
- Purchase deep-frozen food last. Wrap in newspaper or place in a cold bag and take home.
- At home immediately place deep-frozen food in the freezer compartment. Use the deep-frozen food before the sell-by date runs out.
- Do not refreeze thawed food. Exception: If you use the food to make a ready meal (boiling or frying), you can refreeze this ready meal.

Freezing food yourself

Freeze fresh, undamaged food only. To prevent food from losing its flavour or drying out, wrap the food in airtight film or place in containers. In order to retain the vitamins, nutritional value, appearance and flavour food should be frozen as quickly as possible. Do not exceed the max. freezing capacity.

How to wrap food correctly:

- Place the food in the wrapping.
- Press out all the air.
- Seal the wrapping.
- Label the wrapping with the contents and date.

The following products are not suitable for wrapping food:

Wrapping paper, greaseproof paper, cellophane, refuse bags and used shopping bags.

The following products are suitable for wrapping food:

Plastic film, polyethylene blown film, aluminium foil and freezer tins. These products can be purchased from a specialist outlet.

The following products are suitable for sealing the wrapped food:

Rubber bands, plastic clips, string, cold-resistant adhesive tape or similar. Bags and polyethylene blown film can be sealed with a film sealer.

Freezing capacity

You can freeze up to 10 kg of food within 24 hours.

Storage duration of the frozen food

The storage period depends on the type of produce.

At a mean temperature:

Fish, sausage, ready meals, cakes and pastries	up to 6 months
Cheese, poultry and meat	up to 8 months
Vegetables and fruit	up to 12 months

Thawing frozen food

Depending on the type of food and intended use, frozen produce can be thawed as follows:

- at room temperature
- in the refrigerator
- in an electric oven, with/without hot-air fan
- in the microwave

Note

Do NOT refreeze food which is beginning to thaw or has already thawed. The food cannot be refrozen until it has been prepared (boiled or fried).

No longer store the frozen produce for the max. storage period.

Making ice cubes

(Appliances without ice maker)



- Fill the ice cube tray $\frac{3}{4}$ full of water and place in the freezer compartment.
- To loosen the ice cubes, twist the ice tray slightly or hold briefly under flowing water.

Automatic ice and water dispenser

The following can be dispensed as required:

- cooled water
- ice cubes
- crushed ice

Warning!

Do not use fragile receptacles for dispensing water or ice – risk of injury from broken glass!

Keep fingers clear of the discharge opening. Risk of injury from crusher blades!

Note:

The ice and water dispenser will not function unless the appliance is connected to the power supply.

When switching on your new appliance, observe the following

When the appliance has been connected, there are still air bubbles in the lines.

Run off drinking water and pour away until water can be dispensed without bubbles. Pour away the first 5 glasses.

When using the ice maker for the first time, do not use the first 30-40 ice cubes for reasons of hygiene.

Operating the ice maker

When the freezer compartment has reached its freezing temperature, water flows into the ice maker and freezes into ice cubes. When the ice cubes are ready, they are automatically discharged into the ice cube container.

Occasionally the sides of the ice cubes stick together. When they are conveyed to the outlet opening, they usually break away from each other.

When the ice cube container is full, ice making switches off automatically.

The ice maker can make approx. 100 ice cubes within 24 hours.

Do not place bottles or food in the cube container in order to cool them quickly. The ice maker may block and be damaged.

When the appliance has been switched on, it takes approx. 24 hours until the first batch of ice cubes are ready.

When ice cubes are being made, the buzzing water valve, the water flowing into the ice cube tray and the falling ice cubes can be heard.

Drinking water quality

All materials used in the drinks dispenser are odourless and tasteless.

If the water has an aftertaste, this may be caused by:

- Mineral and chlorine content of the drinking water.
- Material of the domestic water line or connection line.
- Freshness of the drinking water (if water has not been dispensed for a long time, the water may have a “stale” taste. In this case dispense approx. 15 glasses of water and pour away).

Taste and odour of the water may be improved by installing the enclosed water filter.

The enclosed water filter will filter only particles out of the supply water, not bacteria or microbes.

Dispensing water

- Press the button until the symbol lights up.



- Press the glass against the dispenser pad. The water stops running when the glass is removed from the pad.

Tip:

The water from the water dispenser is cooled to a palatable temperature. If you would like the water colder, place ice cubes in the glass before dispensing the water.

Dispensing ice

- Press the button until the symbol for ice cubes or crushed ice lights up.



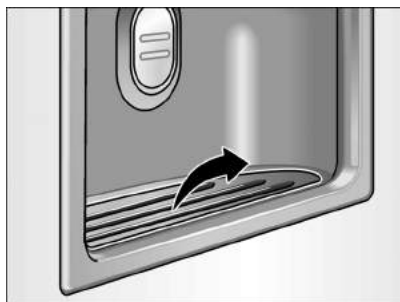
- Press a suitable receptacle against the dispenser pad.

Note:

- Remove the receptacle from the dispenser pad when it is approx. half full. Ice in the discharge may cause the receptacle to overflow or block the discharge.
- After switching over from dispensing ice cubes to crushed ice, the dispenser may still contain whole ice cubes or pieces of ice cube. These will be dispensed with the first portions of crushed ice.

Removing and cleaning the water collecting tray

Spilled water collects in the water collecting tray. The water collecting tray can be emptied and cleaned by pulling it out.



Removing and cleaning the ice cube container

If ice cubes have not been dispensed for a prolonged period, they will shrink, have a stale taste and stick together.

- Pull out the container, empty and clean with lukewarm water.
- Thoroughly dry the container and screw conveyor to prevent new ice cubes from sticking.

Inserting the ice cube container

- Push the ice cube container all the way back onto the supports until it locks into position.



- If the container cannot be pushed all the way back, twist the screw conveyor in the container.

Ice cube production continues.

Disconnecting the ice cube maker

If ice cubes are not to be dispensed for longer than 1 week (e.g. holiday), temporarily disconnect the ice cube maker to prevent the ice cubes from freezing together.



- Press the "Ice maker" lock button. The symbol lights up.
- Remove the ice cube container, empty and re-insert. Ensure that the ice cube container engages with the support.

Switching on the ice cube maker again:

- Press "Ice maker" lock button. The symbol goes out.

Water filter

⚠ Warning

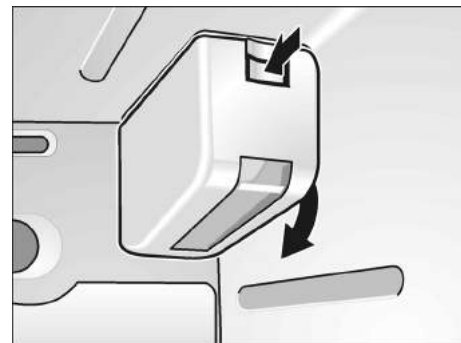
In places where the water quality is suspect or unknown, do not use the appliance without adequate disinfection before or after filtering.

A new filter can be obtained from after-sales service.

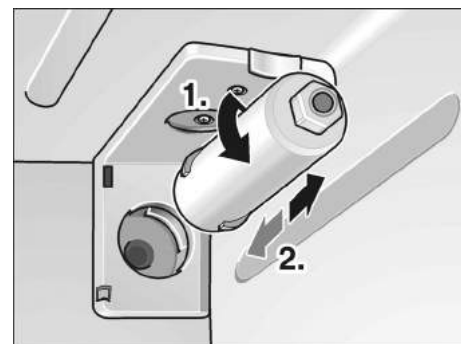
Change the filter at least every 6 months, and, at the latest, when "Filter change required" appears in the display.

Changing the filter

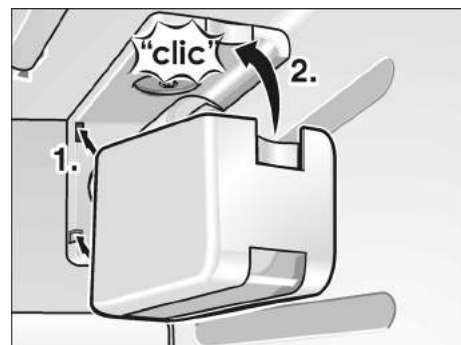
- **Caution:** unplug the appliance or switch off the circuit breaker.
- Disconnect the water supply to the appliance.



- Press the knob and remove the cover.



- Carefully turn the filter 90° anti-clockwise, and pull it out.
- Remove the new filter from its packaging and remove the protective cap.
- Insert the new filter into the holder, and carefully turn it 90° clockwise.



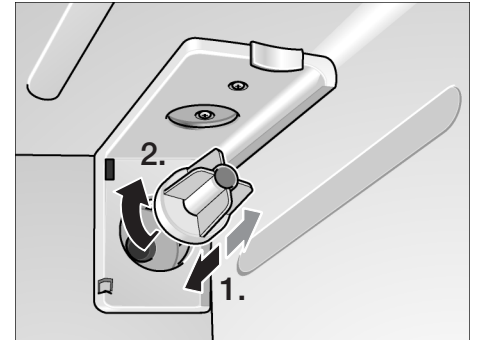
- Refit the cover.

Information concerning the water filter

- After use, the water system is subject to low pressure. Proceed with caution when removing the filter.
- Flush the water system if the appliance has not been in use for a lengthy period, or if the ice/water has an unpleasant taste or smell. To do this, dispense water through the water dispenser for several minutes. If the unpleasant taste or smell remains, replace the filter.
- Protect from frost. Remove the filter cartridge if you expect the temperature to drop below freezing.

- Do not install the water filter if the water pressure is greater than 8.6 bar. If the water pressure is greater than 5.5 bar, a pressure reducing valve must be fitted. If you are not sure what the water pressure is, contact an installation expert.
- If pressure surges could occur in the water pipe, do not install the water filter without a suitable surge eliminator. Contact an installation expert if you are not sure whether pressure surges could occur in the water pipe.
- After installing a new filter: Discard any ice produced in the first 24 hours after switching on.

- If no ice has been removed for a lengthy period: Empty the ice box and discard any ice produced over the next 24 hours.
- The ice and water dispenser can also be used without a water filter, in which case the locking cap must be used.



Specification and output data sheet



Performance Data Sheet Models CS-451/CS-452

These systems have been tested according to NSF/ANSI 42 for the reduction of the substances listed below.

The concentration of the substances indicated in water entering the system was reduced to a concentration less than or equal to the permissible limit for water leaving the system as specified in NSF/ANSI 42.



System tested and certified by NSF International against NSF/ANSI Standard 42 for the reduction of chlorine taste and odour.

Capacity: 5,700 litres depending on local water conditions.

Contaminant reduction determined by NSF testing

Contaminant reduction	Average influent	NSF specified influent challenge concentration	Avg. product water	Avg. % reduction	NSF reduction requirements	NSF Test
Chlorine taste and odour	2.0	2.0 mg/l ± 10%	0.28	86	≥ 50%	503821-01

For cold water use only.

Application guidelines / water supply parameters	
Service flow	1.9 l/min
Water supply	Public or private well
Water pressure	0.17 - 0.86 MPa (1.7 - 8.6 bar)
Water temperature	5 - 38 °C

It is essential that operational, maintenance and filter replacement requirements be carried out for this product to perform as advertised. Change cartridges every 6 months. Flush new cartridge for 5 minutes. Use replacement cartridges CS-51 or CS-52.

Do not use with water that is microbiologically unsafe or of unknown quality without adequate disinfection before or after the system.

Systems must be installed and operated in accordance with manufacturer's recommended procedures and guidelines.

Warranty: See warranty card.

For service and parts contact your local dealer or:

Note that while the testing was performed under standard laboratory conditions, actual performance may vary.



CUNO Incorporated
400 Research Parkway
Meriden, CT 06450, USA
Worldwide: 203-237-5541
Fax: 203-238-8701
www.cuno.com

How to save energy

- Install the appliance in a cool, well ventilated room, but not in direct sunlight and not near a heat source (radiator, cooker, etc.). If required, use an insulating plate.
- Allow warm food and drinks to cool down before placing in the appliance!
- When thawing frozen food, place it in the refrigerator compartment. The low temperature of the frozen products cools the food in the refrigerator.
- Open and close the door as briefly as possible.
- Clean the rear side of the appliance occasionally in order to avoid increased power consumption.

The arrangement of the fittings does not affect the energy rating of the appliance.

Operating noises

Normal noises

Humming – refrigerating unit is running. The fan in the circulating air system is running.

Bubbling, gurgling or whirring noises – refrigerant is flowing through the tubing. Water flowing into the ice maker.

Clicking – motor is switching on or off. Solenoid valve on the water connection is opening or closing.

Rumbling – ready ice cubes from the ice maker are falling into the ice cube container.

Noises which can be easily rectified

The appliance is not level

Please align the appliance with a spirit level. Use the height-adjustable feet or place something under the feet.

The appliance is touching adjacent units or appliances

Please move the appliance away from adjacent units or appliances.

Drawers, baskets or storage areas are loose or sticking

Please check the removable parts and, if required, reinsert them.

Receptacles are touching each other

Please move bottles or receptacles away from each other.

Defrosting

Defrosting is actuated automatically.

The water which occurs during defrosting runs down to the evaporation tray on the rear panel in the refrigerator and evaporates automatically.

Cleaning the appliance

- **Attention:** Pull out the mains plug or switch off the fuse!
- Clean the door seal with water only and then dry thoroughly.
- Clean the appliance with tepid rinsing water. The rinsing water must not drip onto the fascia or light.
- Do not use abrasive, acidic or chlorine-based cleaning agents or solvents.

Do not place the cold glass shelves directly from the freezer compartment into hot water.

Never clean the shelves or containers in the dishwasher. The parts may warp.

- After cleaning: insert the mains plug or switch on the fuse.

Warning!

Never touch frozen food with wet hands. Your hands could freeze to the food. Risk of injury!

Never use a steam cleaner to clean the appliance. The steam may come into contact with live parts in the appliance and cause a short-circuit or electric shock. Steam may damage the plastic surfaces.

Eliminating minor faults yourself

Before you call customer service:

Please check whether you can eliminate the fault yourself based on the following information. Customer service will charge you for advice, even if the appliance is still under guarantee!

Refrigerator and freezer compartments

Fault	Possible cause	Remedial action
Appliance has no refrigerating capacity. The interior light is not functioning.	Power failure; the fuse has been switched off; the mains plug has not been inserted properly.	Check whether the power is on, the fuse must be switched on.
The refrigerating unit is switching on more frequently and for longer.	Appliance door opened frequently.	Do not open the door unnecessarily.
	Large quantities of fresh food are being frozen.	Do not exceed max. freezing capacity.
	The ventilation openings have been covered.	Remove obstacles.
The temperature in the refrigerator or freezer compartment is too cold.	Temperature has been set too low.	Select a warmer temperature (see "Setting the temperature").
The frozen food is frozen solid.		Loosen frozen food with a blunt object. Do not use a knife or pointed object.
There is a thick layer of frost in the freezer compartment.		Always ensure that the appliance door is closed.
The interior light is not functioning.	The lamp is defective.	Replace the lamp (see "Replacing the lamps").
	Light switch is sticking.	Check whether you can move the light switch.
	The appliance door was opened for too long. The lighting switches off after approx. 10 minutes.	After closing and opening the appliance door, the lighting is switched on again.
The freezer compartment is no longer reaching the selected temperature.	The freezer compartment door was open too long. The evaporator (refrigeration generator) is covered in such a thick layer of ice that the fully automatic defrosting system is no longer able to defrost this amount of ice.	Take frozen food out of the appliance, insulate thoroughly and place in a cool location. After approx. 12 hours the ice in the refrigerating system has thawed. Switch on the appliance again and put back the frozen food. Note! To prevent loss of refrigeration, do not open the refrigerator compartment door unnecessarily often. If the fault cannot be rectified by means of the above information, please call customer service.

Water and ice dispenser

Fault	Possible cause	Remedial action
Despite prolonged operating time, ice cubes are not being dispensed.	Tap turned off.	Turn tap on.
	Water supply is interrupted. Water pressure too low.	Inform plumber.
	Ice maker is locked. The symbol is lit on the display panel.	Press "Ice maker" lock button.
	Freezer compartment too warm.	Lower temperature in the freezer compartment (see "Setting the temperature").
Ice cubes are in the ice cube container but are not being dispensed.	Ice cubes are frozen together.	Remove and empty the ice cube container.

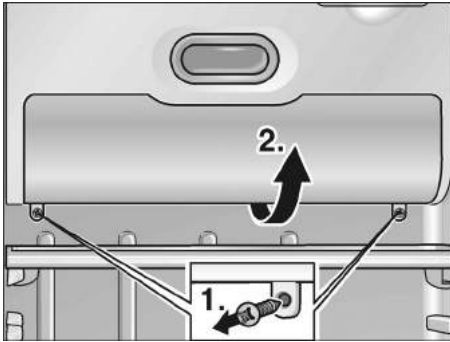
Fault	Possible cause	Remedial action
Ice cubes are jammed in the outlet of the ice cube container or in the ice crusher.		Remove the ice cube container and rotate the screw conveyor by hand. Loosen any jammed chunks of ice with a wooden chopstick.
Ice cubes are watery.	Ice cubes have melted – power failure or the freezer compartment door was not closed properly.	Remove the ice cube maker, empty and rub dry.
Ice cubes are evaporating.		Cold air flowing over the ice cubes is causing shrinkage, particularly if consumption is low. This is normal.
The flap on the ice cube dispenser is not closing properly.	Ice cubes are preventing the flap from closing.	Remove ice cubes.
Ice cubes are sticking in the ice cube tray.	Limescale from the water may be forming in the trays.	Moisten a cloth with vinegar and wipe out the trays. If limescale is thick, always clean the trays when cleaning the refrigerator compartment.
Ice cubes are not the same size and there is water in the ice cube container.	The appliance is not level.	Align the appliance with a spirit level and with the height-adjustable rollers or feet (see Installation instructions).
Water dispenser is not functioning.	Tap turned off.	Turn tap on.
	Water supply is interrupted. Water pressure too low.	Inform plumber.
	Freezer compartment too warm.	Lower temperature in the freezer compartment (see “Setting the temperature”).

Replacing the lamps

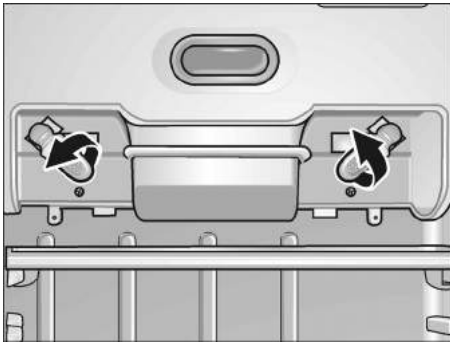
The lamps fitted in the appliance are only intended for use in domestic appliances. The lamps are only suitable for providing ambient lighting.

Replacing the lamp inside the appliance

- **Attention:** Pull out the mains plug or switch off the fuse!
- Loosen 2 screws under the cover and remove the cover.



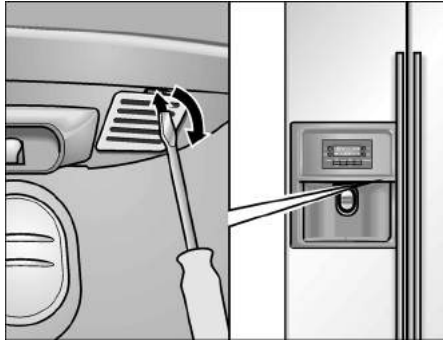
- Replace the lamp.
Replacement lamp: 220-240 V alternating current, E14 socket; see defective lamp for wattage.



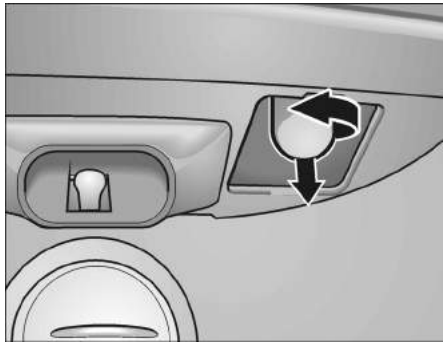
- Attach the cover.

Replacing the lamp on the ice and water dispenser

- **Attention:** Pull out the mains plug or switch off the fuse!
- Prise out the cover with a screwdriver.



- Replace the lamp.
Replacement lamp: 220-240 V alternating current, E14 socket; see defective lamp for wattage.

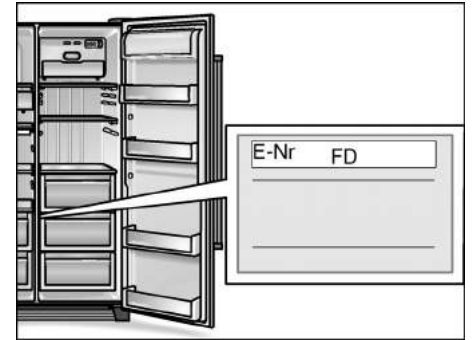


- Attach the cover.

Calling customer service

Your local customer service can be found in the telephone directory or in the customer-service index. Please provide customer service with the appliance product number (E-Nr.) and production number (FD).

This information can be found on the product label.



To prevent unnecessary call-outs, please assist customer service by quoting the product and production numbers. This will save you additional costs.

Repair order and consultation if faults occur

You find the regional service contact of all countries in the enclosed service booklet.

GB 0344 892 8979
Calls charged at local or mobile rate.

IE 01450 2655
0.03 EUR per minute at peak.
Off peak 0.0088 EUR per minute.

US 800 944 2904 toll-free

Installation instructions

Important note:

These installation instructions refer to various models.

Not all steps are required for some models.

The appliance may be installed and connected only by an authorised technician according to these installation instructions.

Always connect the water before the power.

Apart from statutory national regulations, you should stick to the connection terms relating to the local electricity and water companies.

Keep the installation instructions in a safe place.

Installation location

Warning:

The appliance is very heavy, for empty weight see the following table.

Basic model	104 kg
Model with dispenser	113 kg
Model with home bar	115 kg

Install the appliance in a dry, well ventilated room. The installation location should neither be exposed to direct sunlight nor near a heat source, e.g. a cooker, radiator, etc. If installation next to a heat source is unavoidable, use a suitable insulating plate or observe the following minimum distances to a heat source:

- 3 cm to an electric cooker.
- 30 cm to an oil or solid-fuel cooker.

The floor on which the appliance is to be installed must be rigid. If required, reinforce the floor (appliance is very heavy, unloaded approx. 145 kg, loaded up to 400 kg). To ensure that the ice maker functions correctly, the appliance must be upright. To ensure that the doors can open all the way, observe lateral minimum distances when installing the appliance in a corner or recess (see section on "Appliance and installation dimensions").

Unpacking the appliance

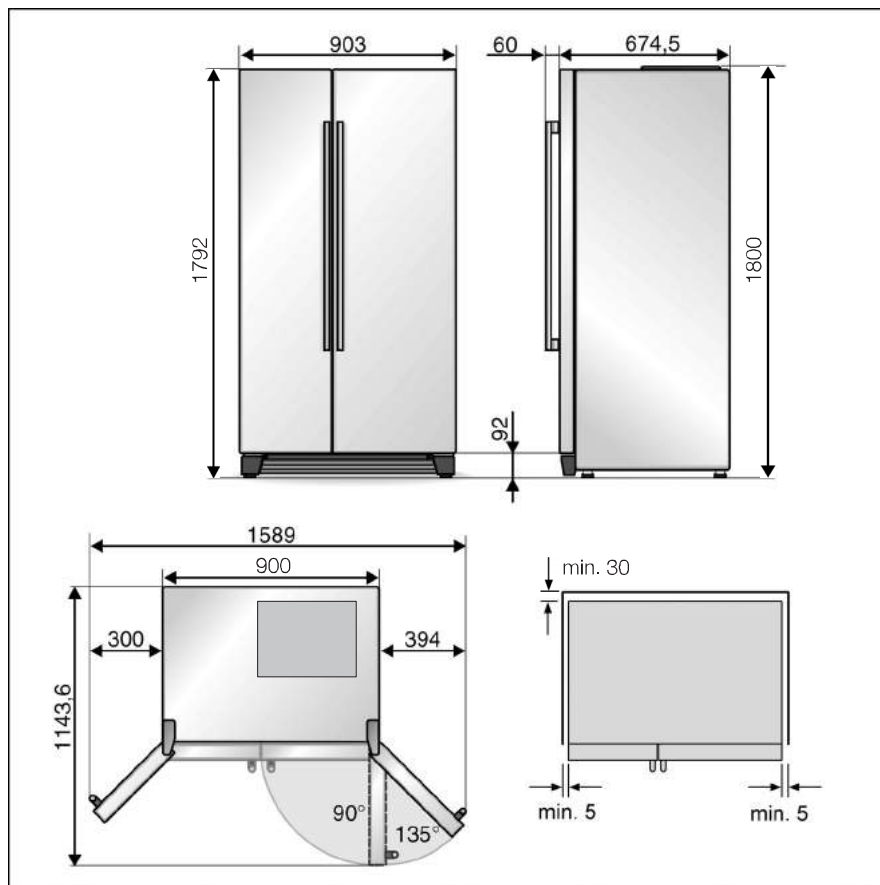
- Remove packaging material and adhesive tape. (Adhesive residue on the housing can be removed with the adhesive side of the removed tape. To do this, repeatedly place the adhesive tape on the adhesive residue and remove).
- Do not remove the transportation protection devices from the shelves and storage compartments until the appliance has been installed.
- After installing the appliance, remove the transportation protection devices from the ice maker. To do this, pull out the ice maker.



Warning:

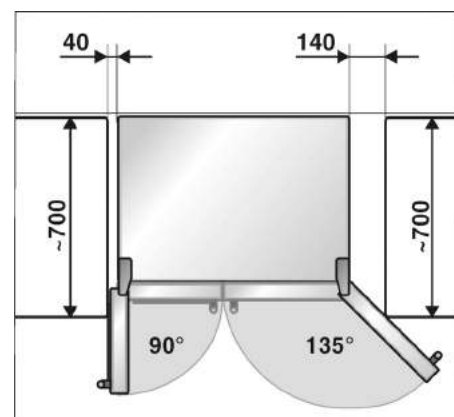
Before connecting the appliance to the power supply, remove all the inner and outer packaging material.

Appliance and installation dimensions



If the depth of the adjacent kitchen equipment is more than 60 cm, observe lateral minimum distances in order to utilise the full door opening angle.

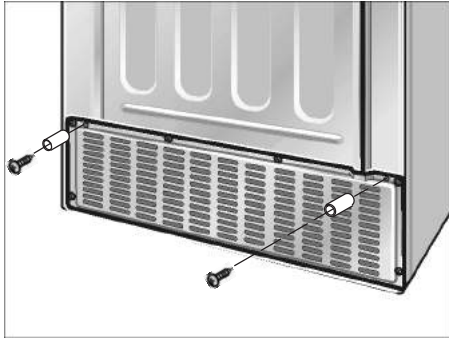
Door opening angle	Minimum distance
90°	40 mm
135°	140 mm



If a panel or cupboard is installed above the appliance, ensure that a gap is left so that the appliance can be pulled out of the recess if required.

Minimum distance from rear wall

- Use the screws to attach the spacers provided to the relevant openings at the rear of the appliance.



This will maintain the minimum distance of 30 mm from the wall, therefore providing adequate ventilation.

Unscrewing the doors

If the appliance will not fit through the house door, the appliance doors can be unscrewed.

Caution:

Should it be necessary to remove the doors, this must only be carried out by our after-sales service. Your local after-sales service will quote you a price for removing the doors.

Connecting the appliance to the water supply

The water may be connected only by a competent fitter according to the local regulations of the appropriate water supply company.

Connect the appliance to a domestic water supply.

- Minimum pressure: 1.0 bar
- Maximum pressure: 8.0 bar

Contact a plumbing company if you are unsure how to check the existing water pressure.

Caution:

If the water pressure is greater than 5.5 bar, a pressure-reducing valve must be fitted. Otherwise, there is a risk of water damage. If the water pressure is below 1.0 bar, the ice-maker will not function.

The water tap to which the connecting hose supplied is connected should be easily accessible.

The appliance must only be connected to a cold-water line.

The taste and smell of the water can be improved by installing the filter cartridge supplied. If doing so, take note of the different connection specifications (see section headed Water filter).

Connection

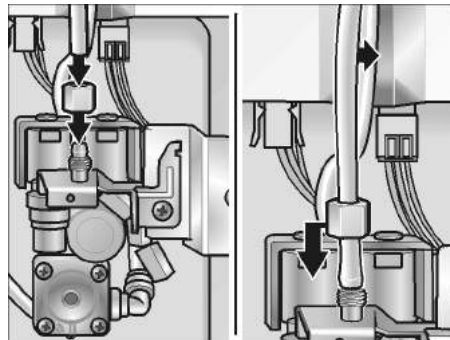
⚠ Caution!

Risk of leaks and water damage.

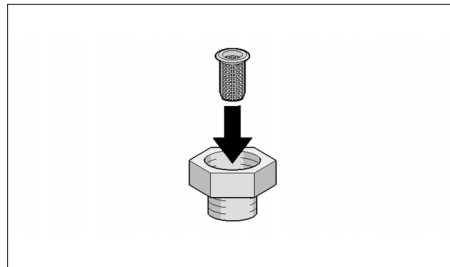
Observe the following points:

- Do not bend the connecting line.
- Cut the connecting line straight across.
- Do not pinch off the connecting line with pliers.
- Tighten the threaded coupler by hand. Do not use pliers.

1. Attach the connecting line to the solenoid valve.



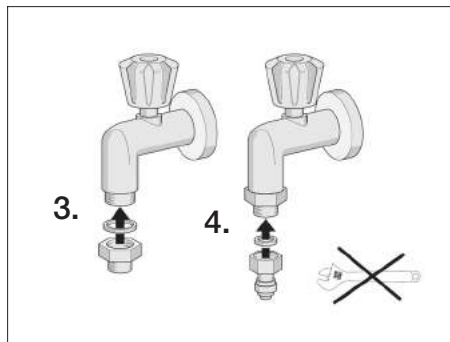
2. Place the filter in the reducer.



Note:

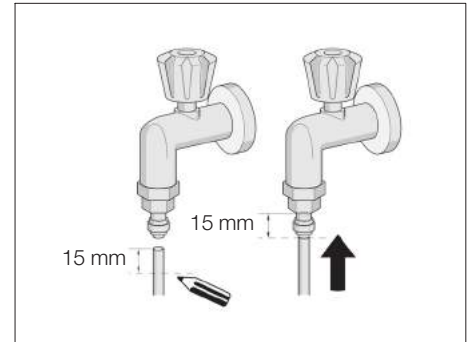
The filter must be cleaned manually. If there are lots of particles in the water, clean the filter more regularly.

3. Screw the reducer onto the tap.



4. Attach the threaded coupler to the tap.

5. Insert the connecting line into the threaded coupler as far as it will go.



- The connecting line can be secured to the room wall using the enclosed clamps.

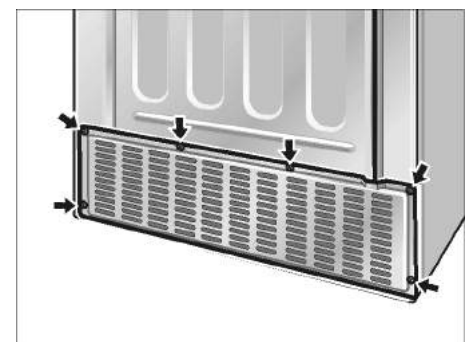
Caution:

You must never drill or screw into the appliance.

- Place the connecting line in loops or coils so that the appliance can be moved away from the wall.

Checking the water connection for leaks

- Switch on the appliance according to the enclosed operating instructions.
- Remove water according to the operating instructions. This will last several seconds as there is still air in the lines and water tank.
- Check all screw-on water connections for leaks on the appliance and on the water connection.
- After checking for leaks, pull out the mains plug again and attach the motor compartment cover.

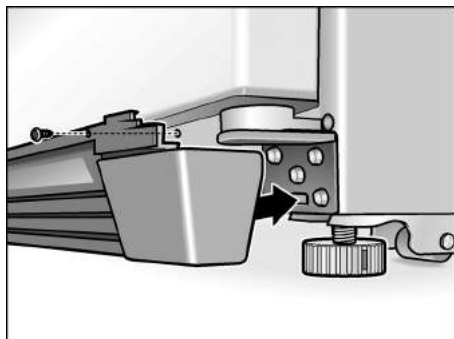


Aligning the appliance

To ensure that the appliance functions correctly, it must be set level with a spirit level.

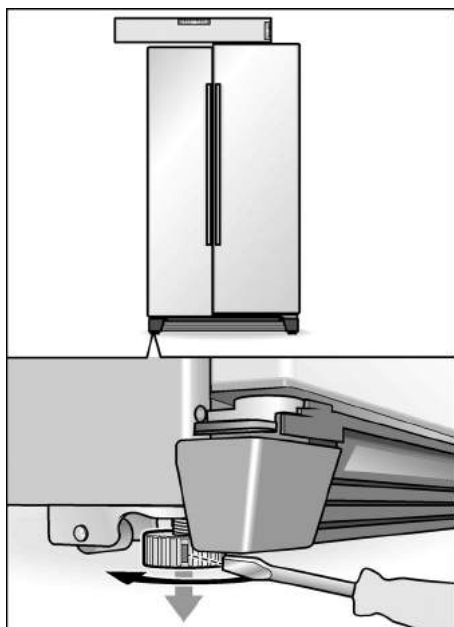
If the appliance is not level, water may flow out of the ice maker, ice cubes may be irregular or the doors may not close properly.

- Place the appliance in the designated location.
- Attach the enclosed base panel with 3 screws.

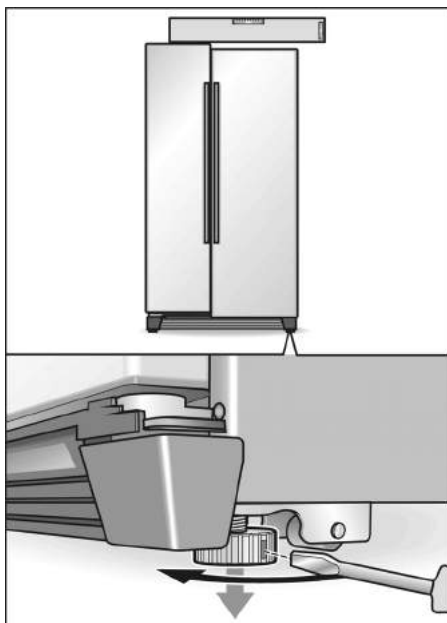


- To prevent the appliance from rolling away, screw down the front feet until they are positioned firmly on the floor.
- Rotate the feet until the appliance is aligned exactly. Use the doors as a reference point!

Freezer compartment door is deeper:

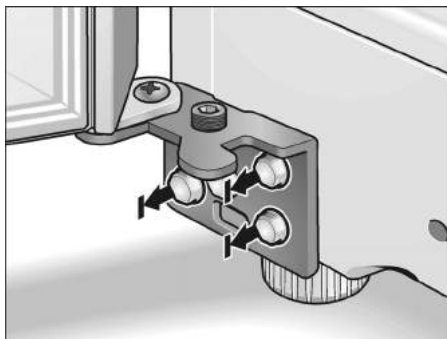


Refrigerator compartment door is deeper:

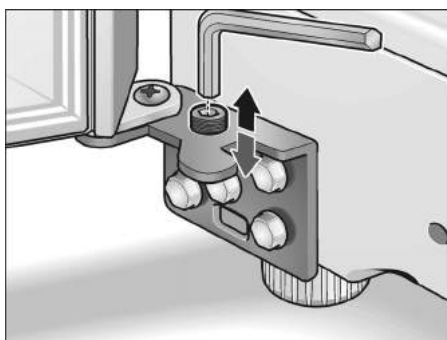


If the previous steps for aligning the door are not adequate:

- Remove the base panel.



- Loosen 3 hinge screws. **Do not completely unscrew the screws!**
- Place the wrench on the adjusting screw.



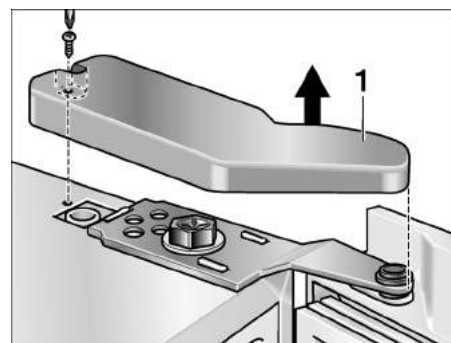
- To raise a door: Rotate the wrench clockwise.
- To lower a door: Rotate the wrench anti-clockwise.

Note:

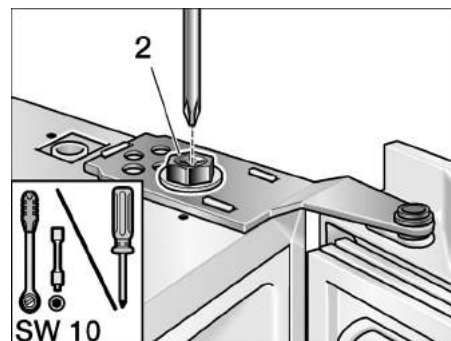
Due to the weight of the appliance and the food load in the door, the refrigerator compartment door may incline, even if the appliance itself is level. The door gap is not the same at the top and bottom.



- Remove the upper hinge cover (1).



- Loosen hinge screws (2). **Do not completely unscrew the screw!**



- Adjust the inclination of the refrigerator compartment door.
- Tighten the hinge screws.
- Fix the hinge covers.

Switching on the appliance

Switch on the appliance according to the enclosed operating instructions.

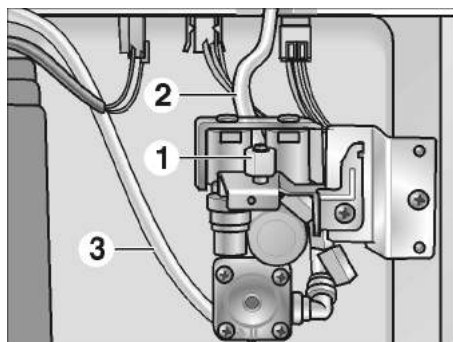
Disconnecting the appliance

Disconnect the appliance according to the enclosed operating instructions.

If the appliance is to be disconnected or stored at temperatures below freezing point, empty the water tank for the drinking water dispenser.

Emptying the water tank in the appliance

- Pull out the mains plug.
- Cut off the water supply to the appliance.
- Remove the motor compartment cover from the rear of the appliance.
- Unscrew the connecting cable (1).
- Place a shallow water-collecting tray (capacity approx. 3 litres) under the connection valve.



- Unscrew, drain and screw back hose (2) and then hose (3) on the appliance connection valve.
Important: Do not mix up the hose connections!
- After draining the water tank, re-attach the motor compartment cover.

Switch on the appliance and then turn on the tap.

fr Table des matières

Consignes de sécurité et avertissements	24
Conseils pour la mise au rebut	25
Étendue des fournitures	25
Votre nouvel appareil	26
Installation	28
Branchement de l'appareil	28
Contrôler la température ambiante et l'aération	28
Enclenchement de l'appareil	29
Réglage de la température	29
Arrêt et remisage de l'appareil	29
Fonctions	30
Agencement variable du compartiment intérieur	30
Compartiment réfrigérateur	31
Compartiment congélateur	32
Congélation et rangement	32
Distributeur automatique de glaçons et d'eau	33
Filtre à eau	34
Economies d'énergie	36
Bruits de fonctionnement	36
Si vous dégivrez l'appareil	36
Nettoyage de l'appareil	36
Remédier soi même aux petites pannes	37
Changement d'ampoule	39
Appeler le service après-vente	39
Instructions d'installation	40

Consignes de sécurité et avertissements

Avant de mettre l'appareil en service

Veuillez lire attentivement et entièrement les informations figurant dans les notices d'utilisation et de montage. Elle contiennent des remarques importantes concernant l'installation, l'utilisation et l'entretien de l'appareil.

Le fabricant décline toute responsabilité en cas de non respect des consignes, indications et mises en garde énoncées dans la notice d'utilisation.

Conservez toute la documentation pour pouvoir la consulter à nouveau ultérieurement ou si l'appareil doit changer un jour de propriétaire.

Sécurité technique

Attention

- Le changement de cordon d'alimentation et d'autres réparations sont exclusivement réservées au service après-vente. Les installations et réparations inexpertes peuvent engendrer des risques considérables pour l'utilisateur.

Pendant l'utilisation

- N'utilisez jamais d'appareils électriques à l'intérieur de l'appareil (par. ex. des appareils de chauffage, sorbetières électriques, etc.). Risque d'explosion !
- Ne dégivrez ni ne nettoyez jamais l'appareil avec un nettoyeur à vapeur. La vapeur pourrait atteindre des pièces électroconductrices et provoquer un court-circuit ou vous faire électrocuter.
- Ne stockez dans l'appareil ni produits contenant des gaz propulseurs inflammables (par ex. bombes aérosols) ni produits explosifs. Risque d'explosion !
- Ne vous servez pas des socles, clayettes et portes comme marchepieds ou pour vous appuyer.
- Pour dégivrer et nettoyer l'appareil, débranchez la fiche mâle de la prise de courant ou retirez le fusible / désarmez le disjoncteur. Pour débrancher l'appareil, tirez sur la fiche mâle et non pas sur son cordon.
- Stockez les boissons fortement alcoolisées en position verticale dans des récipients bien fermés.
- L'huile et la graisse ne doivent pas entrer en contact avec les parties en matières plastiques et le joint de porte. (Ces derniers pourraient sinon devenir poreux.)
- Ne recouvrez et n'obstruez jamais les orifices de ventilation de l'appareil.
- **Risques à éviter pour les enfants et les personnes vulnérables :** Sont vulnérables les enfants, les personnes qui présentent un handicap physique, ou psychique ou dont la perception est restreinte, ainsi que les personnes qui n'ont pas les connaissances suffisantes pour faire fonctionner l'appareil. Assurez-vous que les enfants et les personnes vulnérables aient compris les risques. Une personne responsable de la sécurité doit surveiller ou guider les enfants et les personnes vulnérables lors de la manipulation de l'appareil. Ne pas autoriser les enfants de moins de 8 ans à manipuler l'appareil. Surveillez les enfants lors des travaux de nettoyage et d'entretien. Ne laissez jamais les enfants jouer avec l'appareil.

- Dans le compartiment congélateur, ne stockez pas de boissons, gazeuses en particulier, en bouteilles ou en boîtes car elles éclateraient. Les bouteilles et les boîtes risqueraient d'éclater !
- Ne portez pas directement à la bouche les esquimaux ou les glaçons qui sortent du compartiment congélateur (**risque de brûlures** dû à la température très basse).
- Ne touchez pas les aliments congelés avec les mains mouillées car elles risqueraient de rester collées. Risque de blessures.
- Ne tentez jamais de racler le givre ou la glace avec un couteau. Vous risqueriez d'endommager les tuyaux de fluide réfrigérant. Ce fluide, en fuyant, pourrait vous blesser aux yeux.

Les enfants et l'appareil

- Ne permettez jamais aux enfants de jouer avec l'emballage et ses pièces constitutives. Ils risquent de s'étouffer avec les cartons pliants et les feuilles de plastique !
- Si l'appareil est équipé d'une serrure : rangez la clé hors de portée des enfants.

Dispositions générales

L'appareil convient pour :

- Réfrigérer des produits alimentaires.
- A congeler des produits alimentaires.
- Préparer des glaçons.

Cet appareil est conçu pour une utilisation jusqu'à une altitude maximale de 2 000 m.

Cet appareil est destiné à une utilisation domestique, c'est-à-dire une utilisation à l'intérieur de votre domicile ou des pièces attenantes.

L'appareil a été antiparasité conformément à la directive UE 2004/108/EC.

Le circuit frigorifique a subi un contrôle d'étanchéité.

Ce produit est conforme aux dispositions de sécurité applicables aux appareils électriques (EN 60335/2/24).

Conseils pour la mise au rebut

Mise au rebut de l'emballage

L'emballage protège votre appareil contre les dégâts qu'il pourrait subir en cours de transport. Tous les matériaux qui le constituent sont compatibles avec l'environnement et recyclables. Aidez-nous à recycler l'emballage en respectant l'environnement.


Pour savoir comment vous débarrasser de l'emballage, veuillez consulter votre revendeur ou les services administratifs de votre mairie.

Attention

Ne permettez jamais aux enfants de jouer avec l'emballage et ses pièces constitutives. Ils risquent de s'étouffer avec les cartons pliants et les feuilles de plastique !

Mise au rebut de l'ancien appareil

Les appareils usagés ne sont pas des déchets sans valeur. Leur élimination dans le respect de l'environnement permet d'en récupérer de précieuses matières premières.

 Cet appareil est marqué selon la directive européenne 2012/19/UE relative aux appareils électriques et électroniques usagés (waste electrical and electronic equipment – WEEE).

La directive définit le cadre pour une reprise et une récupération des appareils usagés applicables dans les pays de la CE.

Attention

Avant de mettre au rebut l'appareil qui ne sert plus :

1. Débranchez la fiche mâle de la prise de courant.
2. Sectionnez le cordon d'alimentation puis enlevez-le avec la fiche mâle.

Les appareils frigorifiques contiennent des fluides frigorigènes et des gaz isolants qui nécessitent une mise au rebut adéquate. Veillez à ce que les tuyaux du circuit frigorifique de votre appareil ne soient pas endommagés jusqu'à son élimination dans les règles de l'art. Jusqu'à l'enlèvement de l'appareil, veillez bien à ce que son circuit frigorifique ne soit pas endommagé.

Étendue des fournitures

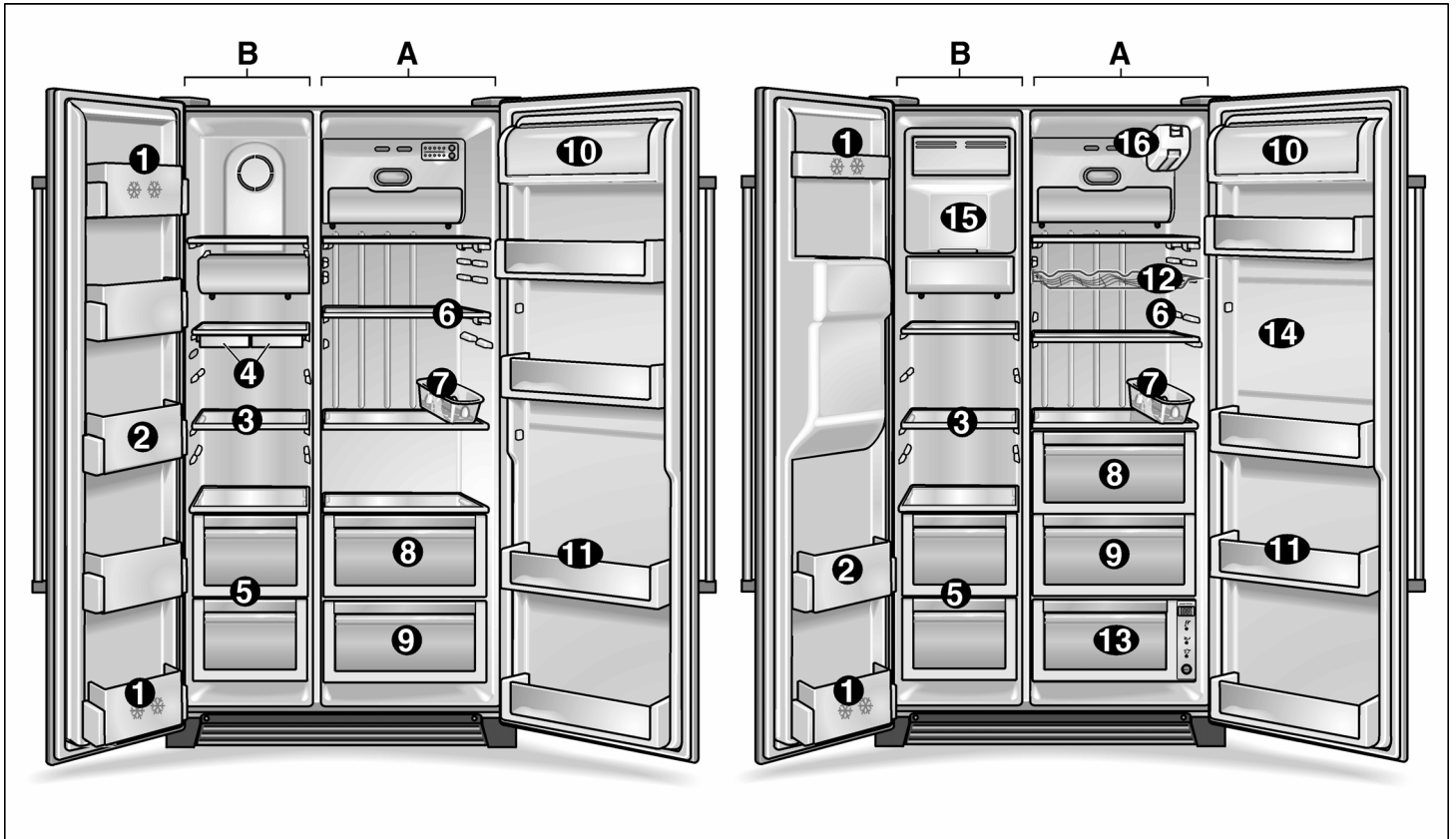
Après avoir déballé votre appareil, vérifiez toutes les pièces pour détecter d'éventuels endommagements dus au transport. En cas de réclamation, adressez-vous au détaillant qui vous a vendu cet appareil ou à notre service après-vente.

La livraison comprend les pièces suivantes :

- Appareil indépendant
- Sachet avec visserie de montage
- Équipement (selon le modèle)
- Notices d'utilisation et de montage
- Carnet de service après-vente
- Pièce annexe de la garantie
- Informations relatives à la consommation d'énergie et aux bruits

Votre nouvel appareil

La présente notice d'utilisation vaut pour plusieurs modèles. Selon le modèle, l'appareil peut différer du contenu des illustrations.



- A** Compartiment réfrigérateur
B Compartiment congélateur

1 Support en contre-porte (compartiment 2-étoiles)
 Pour ranger brièvement des produits et glaces alimentaires.

2 Supports en contre-porte
 Pour ranger des produits alimentaires congelés.

3 Clayettes en verre du compartiment congélateur
 Pour ranger des produits congelés comme par ex. la viande, le poisson, les glaces alimentaires.

4 Bac à glaçons *

5 Tiroir du compartiment congélateur

Pour ranger la viande rouge, le poisson, et la volaille (emballés).

6 Clayettes en verre du compartiment réfrigérateur
 Pour ranger des aliments cuits, produits laitiers, la charcuterie.

7 Balconnet à œufs

8 Bac à légumes

9 Bac à fruits

10 Casier à beurre et à fromage

11 Supports en contre-porte

Pour ranger des conserves, de la viande et des bocaux.

12 Clayettes à bouteilles de vin *

13 Compartiment fraîcheur *

Pour ranger de façon optimale le poisson, la viande rouge et de volaille.

14 Minibar *

Il s'ouvre de l'extérieur pour prélever rapidement des boissons sans devoir ouvrir la porte du compartiment réfrigérateur.

15 Distributeur de glaçons *

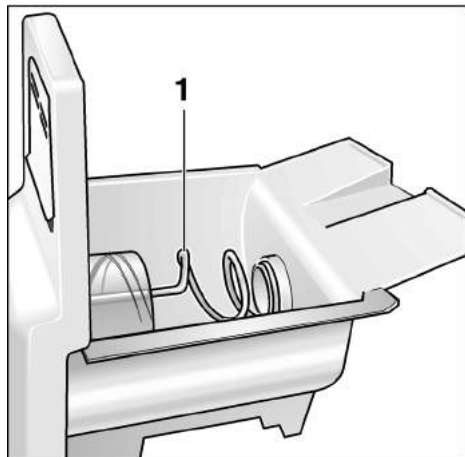
Pour confectionner et conserver les glaçons.

16 Filtre à eau *

* selon le modèle

Remarque : Si certaines des pièces indiquées ne figurent pas sur votre appareil, c'est qu'elles se réfèrent à d'autres modèles.

Distributeur de glaçons



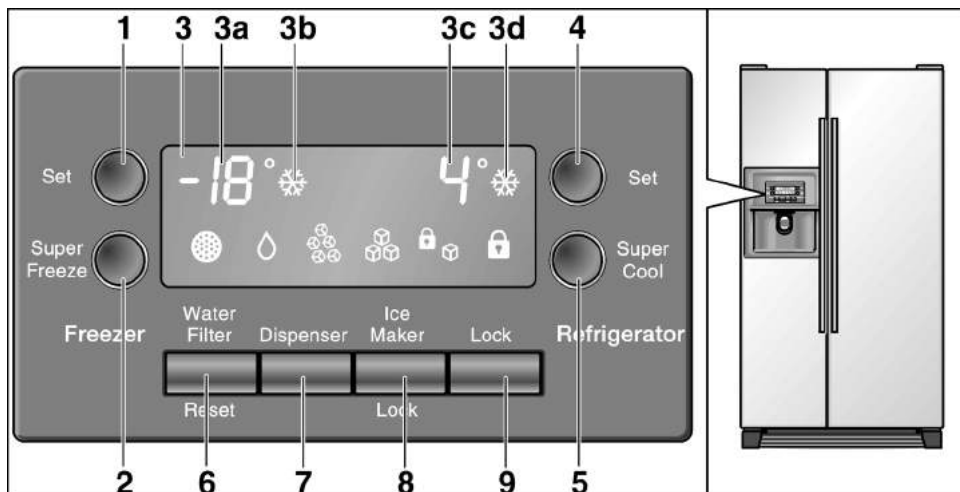
1 Vis sans fin de transport

Distributeur de glaçons et d'eau

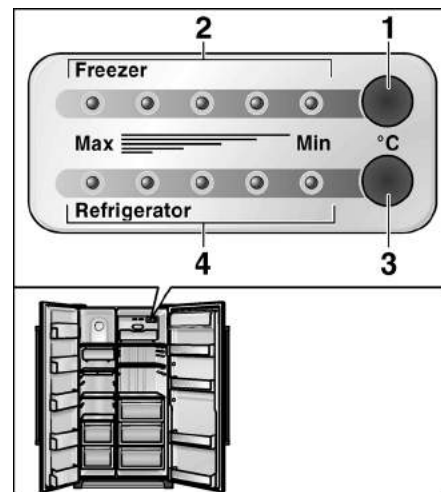


2 Plot de prélèvement
3 Bac récupérateur d'eau

Bandeau de commande et d'affichage



- 1 Touche de réglage de la température du compartiment congélateur
- 2 Touche de «super»-congélation
- 3 Bandeau d'affichage
- 3a Affichage de la température dans le compartiment congélateur
- 3b Affichage de la «super»-congélation
- 3c Affichage de la température dans le compartiment réfrigérateur
- 3d Affichage de la «super»-réfrigération
- 4 Touche de réglage de la température du compartiment réfrigérateur
- 5 Touche de «super»-réfrigération
- 6 Touche de réarmement du filtre à eau
- 7 Touche de prélèvement d'eau / de glaçons
- 8 Touche de verrouillage du distributeur de glaçons
Au moment de le nettoyer ou s'il doit rester une période prolongée sans servir.
- 9 Touche de verrouillage du bandeau de commande (protection enfants)
Appuyez sur la touche pour protéger les réglages contre toute modification involontaire. Pour déverrouiller, appuyez sur cette touche plus d'une seconde. La mention s'éteint.



- Commande de la température**
- 1 Touche de réglage de la température régnant dans le compartiment congélateur
 - 2 LED d'affichage de la température régnant dans le compartiment congélateur
 - 3 Touche de réglage de la température régnant dans le compartiment réfrigérateur
 - 4 LED d'affichage de la température régnant dans le compartiment réfrigérateur

Légende des symboles apparaissant sur le bandeau d'affichage

	Symbole «Changement de filtre nécessaire». Après un changement de filtre, appuyez pendant env. 5 secondes sur la touche de réarmement pour désactiver ce symbole.		Symbole «Glace pilée»		Symbole «Distributeur de glaçons verrouillé»
	Symbole «Eau»		Symbole «Glaçons»		Symbole «Bandeau de commande verrouillé»

Installation

Lieu d'installation

Un local sec et aérable convient pour installer l'appareil. Veillez à ce que l'emplacement ne soit pas directement exposé aux rayons solaires et qu'il ne se trouve pas à proximité d'une source de chaleur (par ex. une cuisinière, un radiateur, etc.). Si l'installation près d'une source de chaleur est inévitable, utilisez un panneau isolant approprié ou respectez les distances minimales suivantes par rapport à la source de chaleur :

- 3 cm par rapport à une cuisinière électrique,
- 30 cm par rapport à un appareil de chauffage au fuel ou au charbon.

Le sol sur le lieu d'installation ne doit pas s'affaisser. Renforcez-le le cas échéant.

L'appareil est très lourd. Pour connaître son poids à vide, reportez-vous au tableau suivant.

Version de base	104 kg
Version à distributeur	113 kg
Version à minibar	115 kg

Afin que le distributeur de glaçons fonctionne impeccablement, l'appareil doit se trouver parfaitement à la verticale. Pour horizontaliser, utilisez un niveau à bulle. Si l'appareil a été installé dans une niche ou dans un coin de la pièce, maintenez un écart minimum pour pouvoir ouvrir les portes jusqu'à la butée (voir les dimensions de l'appareil).

Branchement de l'appareil

Après l'installation de l'appareil, attendez au moins 1 heure avant de le remettre en marche. Au cours du transport, il peut arriver que le fluide contenu dans le compresseur se déplace dans le circuit frigorifique.

Avant la première mise en service, nettoyez l'intérieur de l'appareil (voir Nettoyage).

Cet appareil est conforme à la classe de protection I. Raccordez l'appareil au courant alternatif 220-240 V / 50 Hz via une prise femelle installée réglementairement et comportant un fil de terre.

La prise femelle doit être proche de l'appareil et demeurer librement accessible même après son installation. La prise doit être protégée par un fusible supportant un ampérage de 10 A à 16 A.

Sur les appareils destinés aux pays non européens, vérifiez si la tension de branchement et le type de courant concordent bien avec ceux offerts par le secteur du pays concerné. Ces données se trouvent sur la plaque signalétique.

Avertissement

Ne branchez en aucun cas l'appareil à une « prise économie d'énergie » électronique.

Nos appareils peuvent être alimentés via des onduleurs pilotés par le secteur ou à pilotage sinusoïdal.

Directement raccordées au réseau public, les installations photovoltaïques font appel à des onduleurs pilotés par le secteur. Dans les solutions en îlots (par ex. sur les bateaux ou les refuges de montagne), ne disposant pas d'un raccordement direct au réseau électrique public, il faut utiliser des onduleurs à pilotage sinusoïdal.

Attention :

Lors du montage ou du remplacement du cordon d'alimentation, montez un dispositif anti-arrachement.

N'utilisez ni rallonges, ni multiprises.

Contrôler la température ambiante et l'aération

Température ambiante

La catégorie climatique de l'appareil figure sur sa plaque signalétique. Elle indique les températures ambiantes dans lesquelles l'appareil peut fonctionner.

Catégorie climatique	Température ambiante admissible
SN	+10 °C à 32 °C
N	+16 °C à 32 °C
ST	+16 °C à 38 °C
T	+16 °C à 43 °C

Remarque :

L'appareil est entièrement fonctionnel dans les limites de température de la classe climatique indiquée. Si un appareil de la classe climatique SN est exploité à des températures inférieures, l'appareil ne sera pas endommagé jusqu'à une température de +5 °C.

Aération

L'air chaud doit pouvoir s'échapper sans obstacle. S'il ne le peut pas, le groupe frigorifique doit fonctionner plus longtemps, ce qui augmente la consommation de courant.

Pour cette raison, ne recouvrez et n'obstruez jamais les orifices d'aération de l'appareil !

Enclenchement de l'appareil

- Branchez la fiche mâle dans une prise de courant.

Après le raccordement au secteur, l'appareil commence à réfrigérer. Les éclairages intérieurs s'allument lorsque vous ouvrez les portes.

Remarque :

L'appareil atteint en 2-3 heures les températures préréglées (réglages usine). Pendant cette période, ne rangez pas de produits alimentaires dans l'appareil.

Pour modifier les températures préréglées, → reportez-vous à la rubrique «Réglage de la température».

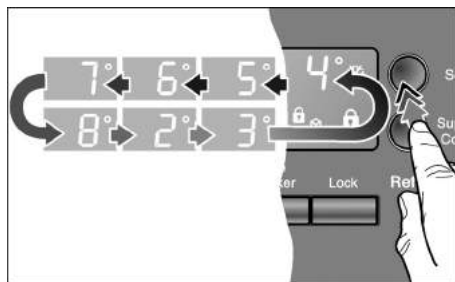
Réglage de la température

Appareils à bandeau de commande

- La température des compartiments réfrigérateur et congélateur est réglable séparément. La valeur réglée s'affiche sur le bandeau.

Pour modifier les valeurs :

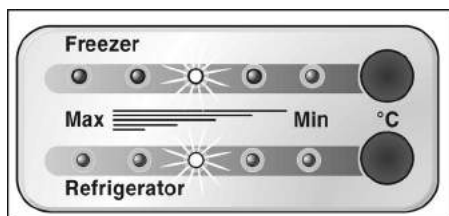
- Appuyez sur la touche de réglage jusqu'à ce que la température voulue s'affiche.



Le système mémorise la valeur affichée en dernier.

Appareils à commande de la température

- L'appareil dispose d'une commande de température séparée pour le compartiment réfrigérateur et le compartiment congélateur.
- Le compartiment réfrigérateur et le compartiment congélateur ont, à la fabrication, été réglés sur une température moyenne.

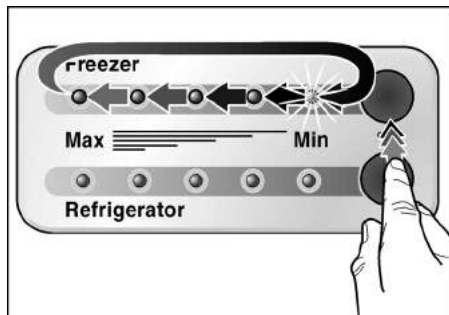


Remarque :

Les 5 LED couvrent toute la plage de températures du compartiment correspondant. Ainsi par exemple, elles vont de +2 °C à +8 °C pour le compartiment fraîcheur.

Pour modifier les valeurs :

- Appuyez sur touches de réglage jusqu'à ce que le réglage souhaité soit atteint.



Les valeurs de température s'affichent par paliers, du réglage le plus chaud (Min) au réglage le plus froid (Max).

Arrêt et remisage de l'appareil

Coupure de l'appareil

- Débranchez la fiche mâle de la prise de courant.

Remisage de l'appareil

Si l'appareil doit rester longtemps sans servir :

- Sortez tous les produits alimentaires de l'appareil.
- Fermez l'arrivée d'eau.
- Videz le bac à glaçons (voir «Nettoyage de l'appareil»).
- Prélevez l'eau potable restante.
- Débranchez la fiche mâle de la prise de courant.
- Sortez le filtre à eau.

Remarque :

Lors de la remise en service, incorporez un filtre à eau neuf.

- Nettoyez l'intérieur de l'appareil (voir «Nettoyage de l'appareil»).

Pour éviter l'apparition de mauvaises odeurs, laissez les portes ouvertes.

S'il y a un risque de gel, chargez un spécialiste de vidanger le réservoir d'eau affecté au distributeur d'eau (voir les instructions d'installation).

Remarque importante en cas de déménagement

Enlevez toutes les pièces facilement amovibles et emballez chacune d'elles soigneusement. Transportez l'appareil à la verticale après avoir sécurisé les portes et les trappes avec du ruban adhésif.

Fonctions

Alarme relative à la porte

Si vous laissez une porte de l'appareil ouverte, un signal d'alarme retentit au bout d'une minute pendant cinq minutes. Il se désactive une minute puis se réactive 5 minutes et ainsi de suite.

Coupure automatique de l'éclairage intérieur

Si une porte est restée ouverte plus de 10 minutes, l'éclairage intérieur s'éteint automatiquement pour empêcher toute surchauffe. Ceci permet aussi d'économiser de l'énergie.

Mode économie d'énergie

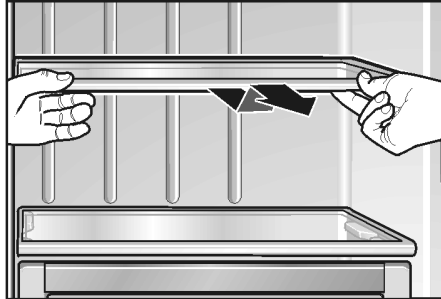
20 secondes après la fermeture des portes et le dernier appui sur les touches du tableau de commande et d'affichage ou du distributeur de glaçons et d'eau, l'affichage de l'écran de réglage change, passe en mode économie d'énergie et en éclairage réduit.

Dès que l'appareil est à nouveau utilisé (ouverture de porte ou actionnement de touche), l'affichage s'éclaire à nouveau normalement.

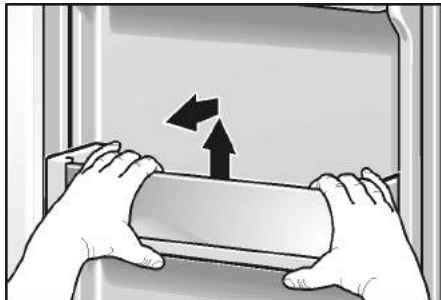
Agencement variable du compartiment intérieur

Vous pouvez modifier à volonté l'agencement des clayettes dans le compartiment et des bacs en contreporte :

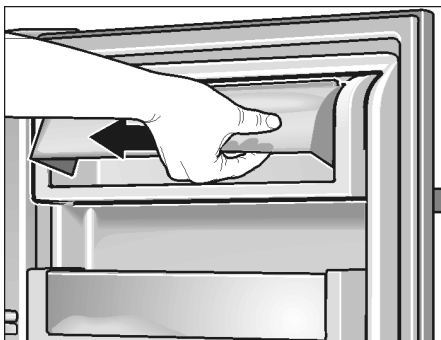
- Tirez la clayette à vous puis extrayez-la.



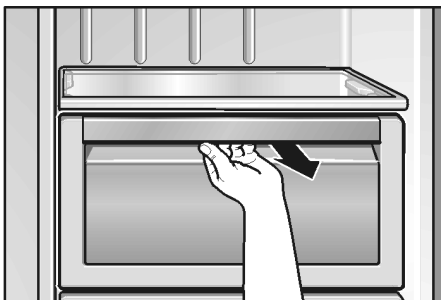
- Soulevez le bac puis sortez-le.



- Soulevez légèrement le couvercle du casier à beurre et à fromage, appuyez à **gauche** puis retirez-le.



- Tirez les tiroirs à vous, soulevez-les légèrement puis sortez-les.



Compartment réfrigérateur

La température du compartiment réfrigérateur est réglable entre +2 °C et +8 °C. Nous vous recommandons de régler la température sur +4 °C.

Utilisation du compartiment réfrigérateur

Vous pouvez ranger les pâtisseries, plats précuisinés, conserves, lait condensé, le fromage dur, les fruits et légumes craignant le froid, les agrumes dont par ex. les mandarines ; les bananes, ananas, melons, avocats, papayes, fruits de la passion, aubergines, laisser aussi les fruits finir de mûrir ; rangez également dans ce tiroir les tomates, concombres, tomates vertes, pommes de terre.

Consignes de rangement à respecter :

- Placez les produits à décongeler dans le compartiment réfrigérateur.
- L'air ne doit pas pénétrer dans l'emballage pour que les aliments ne perdent pas leur goût ni ne sèchent pas.
- Les huiles et graisses n'entrent pas en contact avec les pièces en plastique et le joint de la porte.
- Conserver les alcools concentrés uniquement fermés et placés debout. De plus, ne jamais ranger de matières explosives dans l'appareil. Risque d'explosion !

«Super»-réfrigération

Cette fonction sert à réfrigérer rapidement les produits alimentaires ou les boissons qui doivent séjourner dans le compartiment réfrigérateur. Lorsque la fonction de super-réfrigération est active, la température baisse le plus fortement possible dans le compartiment réfrigérateur.

- Appuyez sur la touche **Super**.



Chaque fois que vous appuyez sur la touche, la fonction s'active ou se désactive. La fonction activée super-réfrigération est signalée par le symbole correspondant sur le bandeau d'affichage.

Minibar

(selon le modèle)

Il permet de retirer rapidement des boissons et assimilées présentes dans le compartiment réfrigérateur sans devoir ouvrir la porte de ce dernier.



Compartment fraîcheur

(selon le modèle)

Dans ce compartiment, la température est maintenue proche de 0 °C. Ceci offre des conditions de stockage optimales aux produits frais.

Pour stocker les produits alimentaires de façon optimale :

- A l'aide de la touche de sélection, choisissez le produit voulu (légume / poisson / viande).

La sélection est confirmée par l'allumage de la LED et l'affichage de la température correspondante.



Remarque :

- Sur la position «Off», ce compartiment prend la température du compartiment d'en face.
- La température affichée est une température de consigne. Celle qui règne réellement dans le compartiment fraîcheur peut en différer légèrement.

Produits non-adaptés au compartiment fraîcheur :

- Fruits et légumes craignant le froid (agrumes, avocats, papayes, fruits de la passion, aubergines, concombres, poivrons)
- Fruits finissant de mûrir (tomates vertes, bananes)
- Pommes de terre
- Fromage dur

Attention lors de l'achat de produits alimentaires :

C'est la fraîcheur des produits alimentaires le jour de leur achat qui détermine leur durée de conservation. Principe fondamental : plus les produits arrivent frais dans le compartiment fraîcheur et plus ils se conserveront longtemps. Lors de vos achats, vérifiez toujours le degré de fraîcheur des produits.

Durées de stockage (à 0 °C):

suivant la qualité de départ

Saucisses, charcuterie en tranches, viande rouge, abats, poisson, lait frais, fromage blanc	jusqu'à 7 jours
---	-----------------

Viande en petits morceaux, saucisses à griller, champignons, salades, légumes à feuilles	jusqu'à 10 jours
--	------------------

Viande en gros morceaux, plats pré-cuisinés	jusqu'à 15 jours
---	------------------

Charcuterie fumée ou salée, choux	jusqu'à 20 jours
-----------------------------------	------------------

Viande en gros morceaux, viande de bœuf, de gibier après traitement à la chaleur, légumes secs	jusqu'à 30 jours
--	------------------

Compartiment congélateur

La température du compartiment congélateur est réglable entre $-16\text{ }^{\circ}\text{C}$ et $-22\text{ }^{\circ}\text{C}$. Nous vous recommandons de régler la température sur $-18\text{ }^{\circ}\text{C}$.

Servez-vous du compartiment congélateur pour :

- Sert à ranger des produits surgelés
- Congeler des produits alimentaires
- Confectionner des glaçons

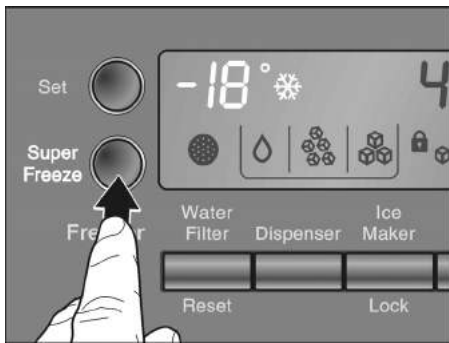
Remarque :

Veillez à ce que la porte du compartiment congélateur soit toujours fermée. Si cette porte reste ouverte, les produits surgelés dégèleront. Le compartiment réfrigérateur se couvrirait de givre. En outre, vous gaspillez de l'énergie vu la forte consommation de courant.

«Super»-congélation

La supercongélation sert à surgeler de grandes quantités d'aliments frais. Vous devrez l'enclencher jusqu'à 24 heures avant de ranger ces aliments frais. Pendant la super-congélation, la température devient très basse dans le compartiment congélateur.

- Appuyez sur la touche **Super**.



Le fait d'appuyer sur cette touche active ou désactive la fonction. Pour indiquer que la super-congélation s'est activée, le symbole correspondant apparaît sur le bandeau.

Congélation et rangement

Ranger des produits surgelés

Au moment d'acheter des produits surgelés, tenez compte de ce qui suit :

- Vérifiez si l'emballage est endommagé.
- Vérifiez la date limite de consommation recommandée.
- La température indiquée par le thermomètre du congélateur commercial doit être de $-18\text{ }^{\circ}\text{C}$ minimum. Si ce n'est pas le cas, la durée de conservation des produits surgelés diminue en conséquence.
- Achetez les produits surgelés en dernier. Emballez-les dans du papier journal ou utilisez un sac isotherme pour le transport.
- Une fois revenu chez vous, rangez les produits surgelés immédiatement dans le compartiment congélateur. Consommez les produits surgelés avant la date limite de conservation.
- Ne recongelez jamais les aliments qui ont dégelé. Exception : si vous transformez les aliments en plat cuisiné (cuit ou rôti), vous pourrez dans ce cas recongeler ce plat.

Congeler soi-même les aliments

Pour congeler les aliments, n'utilisez que des aliments frais et d'un aspect impeccable. Emballez les aliments hermétiquement pour éviter qu'ils ne perdent leur saveur ou se dessèchent. Les aliments doivent congeler à cœur aussi vite que possible pour qu'ils conservent vitamines, valeur nutritive, aspect et goût.

Pour emballer correctement :

- Placez les aliments dans l'emballage.
- Chassez complètement l'air de l'emballage.
- Obtenez l'emballage hermétique.
- Inscrivez sur l'emballage le nom du contenu et la date de congélation.

Emballages inadaptés :

Le papier d'emballage, le papier sulfurisé, les feuilles de cellophane, les sacs poubelles et les sacs en plastique ayant déjà servi.

Emballages corrects :

Feuilles en plastique, feuilles-boyaux en polyéthylène, feuilles d'aluminium, boîtes de congélation. Vous trouverez ces produits dans le commerce spécialisé.

Pour obturer les emballages, utilisez des :

Caoutchoucs, clips en plastique, ficelles, rubans adhésifs résistants au froid, ou assimilés.

Vous pouvez obturer les sachets et les feuilles en polyéthylène au moyen d'une thermosoudeuse.

Capacité de congélation

Vous pouvez congeler jusqu'à 10 kg de produits alimentaires en 24 heures.

Durée de conservation des produits surgelés

La durée de stockage dépend de la nature de l'aliment.

A une température de surgélation moyenne, les durée de conservation suivantes s'appliquent :

Poisson, charcuterie, plats pré-cuisinés, pâtisseries	jusqu'à 6 mois
Fromage, volaille, viande	jusqu'à 8 mois
Fruits et légumes	jusqu'à 12 mois

Décongélation des produits

Selon la nature et l'utilisation des produits surgelés, vous pouvez choisir entre plusieurs possibilités :

- A la température ambiante,
- Dans le réfrigérateur,
- Dans le four électrique avec/sans le ventilateur pour chaleur tournante,
- Dans le micro-ondes.

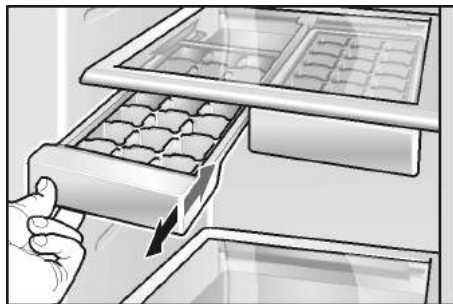
Remarque :

Ne remettez pas à congeler des produits alimentaires partiellement ou entièrement décongelés. Ne recongelez les produits qu'après les avoir transformés (cuisson ou rôtissage).

Dans ce cas, consommez-les nettement avant la date limite de conservation.

Préparation de glaçons

(Appareils sans distributeur de glaçons)



- Remplissez le bac à glaçons aux $\frac{3}{4}$ avec de l'eau, puis placez-le dans le compartiment congélateur.
- Pour enlever les glaçons du bac, passez-le brièvement sous l'eau du robinet ou déformez légèrement le bac.

Distributeur automatique de glaçons et d'eau

Vous pouvez prélever, suivant besoins :

- de l'eau réfrigérée
- des glaçons
- de la glace pilée

⚠ Attention !

Pour prélever de l'eau ou de la glace, n'utilisez pas de récipients fragiles – Risque de blessures en cas de bris de verre !

N'introduisez pas les doigts dans l'orifice d'éjection. Risque de vous blesser avec les lames du dispositif pilant la glace !

Remarque :

Le distributeur de glace et d'eau ne fonctionne que si l'appareil est raccordé au réseau d'eau.

Consignes importantes lors de la mise en service de l'appareil neuf

Après le raccordement, les conduites contiennent encore des bulles d'air.

Prélevez de l'eau et jetez-la jusqu'à ce qu'elle sorte sans bulles. Jetez le contenu des 5 premiers verres.

Si vous utilisez le distributeur de glaçons pour la première fois, n'utilisez pas, pour des motifs d'hygiène, les 30 à 40 premiers glaçons.

Remarques concernant le fonctionnement du distributeur de glaçons

Une fois que le compartiment congélateur a atteint la température de congélation, l'eau afflue dans ce distributeur et se solidifie dans ses compartiments pour former des glaçons. Les glaçons finis sont automatiquement transférés dans le bac à glaçons.

Parfois, plusieurs glaçons à la fois s'accumulent sur le côté. Ils se détachent généralement d'eux-mêmes pendant leur transfert vers l'orifice de distribution.

Une fois que le distributeur de glaçons est plein, la préparation de glaçons cesse automatiquement.

Le distributeur de glaçons est en mesure de préparer 100 glaçons en 24 heures.

Ne mettez jamais de bouteilles ou produits alimentaires dans le distributeur de glaçons pour les faire refroidir rapidement. Il risquerait de se bloquer et de s'endommager.

Après la mise en service de l'appareil, il faut env. 24 heures pour que les premiers glaçons soient prêts.

Lors de la confection des glaçons, on entend le bourdonnement de l'électrovanne à eau, l'afflux d'eau dans le bac à glaçons et la chute des glaçons.

Qualité de l'eau potable

Tous les matériaux utilisés dans le distributeur de boisson sont inodores et sans saveur.

Si l'eau devait avoir un goût, les raisons peuvent être les suivantes :

- Teneur de l'eau potable en sels minéraux et en chlore.
- Matériau de la conduite d'adduction d'eau à la maison ou de raccordement.
- Fraîcheur de l'eau potable (si vous êtes resté longtemps sans prélever de l'eau, l'eau peut avoir un goût «pas frais». Dans ce cas, soutirez l'équivalent de 15 verres et jetez leur contenu).

Vous pouvez intercaler le filtre à eau ci-joint si l'eau a un goût et une odeur.

Le filtre à eau ci-joint filtre exclusivement les particules en suspension dans l'eau entrante, mais il ne retient pas les bactéries ni les microbes.

Prélèvement d'eau

- Appuyez sur la touche jusqu'à ce que le symbole s'allume.



- Appuyez le verre contre le plot de prélèvement. Le prélèvement cesse lorsque vous cessez d'appuyer.

Un conseil :

L'eau sortant du distributeur d'eau se trouve à une température fraîche adaptée à sa dégustation. Si vous voulez de l'eau plus froide, mettez quelques glaçons dans le verre avant d'en prélever.

Prélèvement de glaçons

- Appuyez sur la touche jusqu'à ce que le symbole des glaçons ou de la glace pilée s'allume.



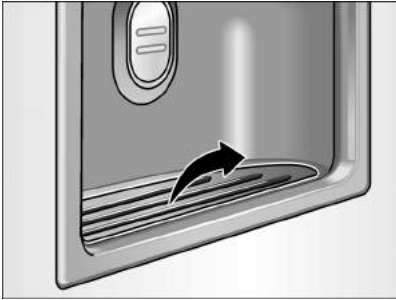
- Placez un récipient approprié contre le plot de prélèvement.

Remarque :

- Cessez d'appuyer le récipient contre le plot dès qu'il s'est rempli à moitié. La glace présente dans l'orifice d'éjection peut faire déborder le récipient ou bloquer l'orifice d'éjection.
- Après commutation du prélèvement de glaçons sur celui de glace pilée, des glaçons ou morceaux de glaçons peuvent encore se trouver dans le distributeur. Ces morceaux sont fournis par le distributeur avec les premières quantités de glace pilée.

Retirer et nettoyer le bac de récupération d'eau

L'eau renversée afflue dans le bac de récupération. Vous pouvez le retirer pour le vider et le nettoyer.



Retirer et nettoyer le bac à glaçons

Si vous n'avez pas prélevé de glaçons pendant une période prolongée, ceux déjà confectionnés rapetissent, perdent leur fraîcheur et collent entre eux.

- Sortez le bac, videz-le et nettoyez-le à l'eau tiède.
- Essuyez bien le bac et la vis transporteuse sans fin avec un essuie-tout sec pour que les nouveaux glaçons ne viennent pas coller contre la surface mouillée.

Mis en place du bac à glaçons

- Poussez le bac à glaçons complètement à l'arrière sur les surfaces, jusqu'à ce qu'il encoche.



- Si le bac refuse de se laisser pousser complètement jusqu'au fond, tournez un peu la vis sans fin de transport dans le réservoir.

La production de glaçons continue.

Désactivation du distributeur de glaçons

Si vous prévoyez de ne pas prélever de glaçons pendant plus d'une semaine (période de vacances par ex.), il faudrait désactiver temporairement le système de préparation des glaçons pour empêcher que les glaçons ne se soudent et forment un bloc.



- Appuyez sur la touche de verrouillage «Distributeur de glaçons». Le symbole s'allume.
 - Retirez le bac à glaçons, videz-le puis remettez-le en place. Veillez à ce que le bac encoche bien sur sa surface d'appui.
- Pour le remettre en service :
- Appuyez sur la touche de verrouillage «Distributeur de glaçons». Le symbole s'éteint.

Filter à eau

⚠ Attention !

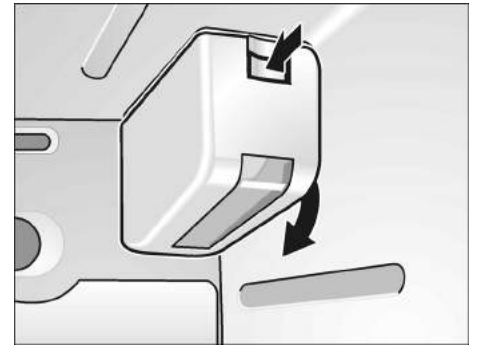
N'utilisez pas l'appareil dans un lieu où la qualité de l'eau est douteuse ou insuffisante sans désinfection adaptée en amont ou en aval du dispositif de filtration.

Pour vous procurer un nouveau filtre, adressez-vous au service après-vente.

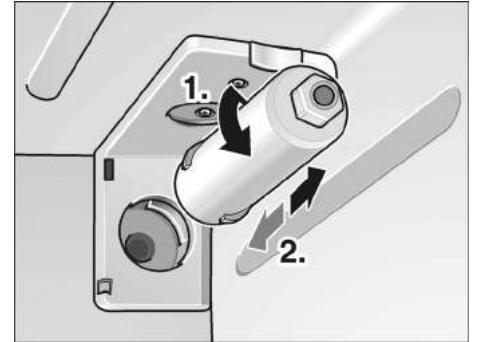
Remplacez le filtre au moins tous les 6 mois et en tous les cas dès l'avertissement de changement de filtre.

Changement de filtre

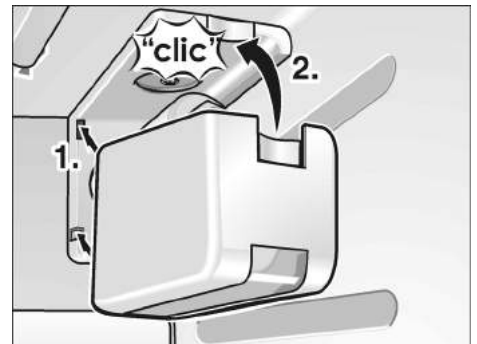
- **Attention :** débranchez la prise ou coupez l'alimentation électrique au niveau du fusible !
- Fermez l'arrivée d'eau de l'appareil.



- Appuyez sur le bouton et enlevez le capot.



- Tournez précautionneusement le filtre de 90° dans le sens inverse des aiguilles d'une montre et retirez-le.
- Sortez le nouveau filtre de son emballage et enlevez la protection.
- Positionnez le nouveau filtre et tournez-le précautionneusement de 90° dans le sens des aiguilles d'une montre.

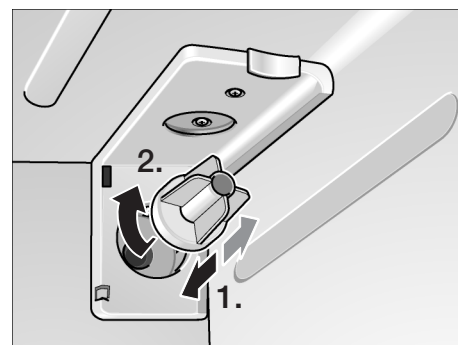


- Remettez le capot.

Indications concernant le filtre à eau

- Après utilisation, un peu de pression subsiste dans le circuit d'eau. Attention lors du retrait du filtre !
- Si l'appareil n'a pas été utilisé pendant longtemps ou si les glaçons ou l'eau a un goût ou une odeur désagréable, vidangez le circuit d'eau. Pour cela, faites couler de l'eau pendant plusieurs minutes au niveau du distributeur d'eau. Si l'odeur désagréable persiste, changez le filtre.

- Protection contre le gel. Démontez la cartouche filtrante si les températures sont susceptibles de descendre en dessous du point de congélation.
- Ne montez pas le filtre à eau si la pression de l'eau est supérieure à 8,6 bar. Si la pression de l'eau est supérieure à 5,5 bar, montez un détendeur. Contactez un installateur agréé en cas de problèmes avec la pression de l'eau.
- Si des coups de bélier sont susceptibles de se produire dans la conduite d'eau, ne montez pas le filtre à eau sans un anti-coup de bélier approprié. Contactez un installateur agréé en cas de doute au sujet de la possible survenue de coups de bélier dans la conduite d'eau.
- Après la mise en place d'un nouveau filtre, n'utilisez pas les glaçons produits pendant les 24 premières heures consécutives à la remise en service.
- S'il s'est écoulé une longue période depuis le dernier prélèvement de glaçons, videz le bac à glaçons et n'utilisez pas les glaçons produits pendant les 24 premières heures consécutives à la remise en service.
- Le distributeur de glaçons et d'eau peut également être utilisé sans filtre à eau. Dans ce cas, utilisez le bouchon.



Caractéristiques et performances

CUNOCS
COFFEE · TEA · WATER · VENDING

Fiche performances produits Modèles CS-451/CS-452

Ces systèmes ont été testés selon la norme NSF/ANSI 42 en ce qui concerne la réduction des substances énumérées ci-après.

La concentration des substances indiquées dans l'eau entrant dans le système a été réduite à un niveau inférieur ou égal au seuil autorisé pour l'eau sortant du système selon la norme NSF/ANSI 42.



Système testé et certifié par NSF International selon la norme NSF/ANSI 42 (réduction du goût et de l'odeur de chlore).

Capacité : 5700 litres selon l'état de l'eau au plan local.

Réduction des contaminants déterminée par le test NSF

Réduction des polluants	Moyenne des polluants influents	Concentration problématique de polluants influents spécifiée par NSF	Moyenne pour l'eau produite	Réduction moyenne en %	Exigences de réduction de NSF	Test NSF
Goût et odeur de chlore	2,0	2,0 mg/l ± 10 %	0,28	86	≥ 50 %	503821-01

Pour eau froide uniquement.

Consignes relatives à l'alimentation en eau	
Débit de service	1,9 l/min
Alimentation en eau	Réseau public ou puits privé
Pression d'eau	0,17 - 0,86 MPa (1,7 - 8,6 bar)
Température d'eau	5 - 38 °C

Il est essentiel de respecter les conditions d'utilisation, les exigences d'entretien et les intervalles de remplacement des filtres pour que le produit fonctionne normalement. Changer les cartouches tous les 6 mois. Passer la cartouche neuve à l'eau pendant 5 minutes. Utiliser les cartouches de rechange CS-51 ou CS-52.

Ne pas utiliser avec de l'eau de qualité microbienne médiocre ou inconnue sans désinfection adéquate en amont ou en aval du système.

Les systèmes doivent être installés et utilisés conformément aux procédures et consignes données par le fabricant.

Garantie : voir carte de garantie.

Le test ayant été réalisé en laboratoire, les performances en conditions réelles peuvent être différentes.

Pour toute intervention technique ou pour obtenir des pièces de rechange, contacter un distributeur ou :

CUNO
WaterGroup

CUNO Incorporated
400 Research Parkway
Meriden, CT 06450, USA
Un seul numéro : 203-237-5541
Fax : 203-238-8701
www.cuno.com

Economies d'énergie

- Placez votre appareil dans un endroit frais et bien aéré. Veillez à ce qu'il ne soit pas exposé aux rayons solaires et qu'il ne se trouve pas à proximité d'une source de chaleur (radiateur etc.). Utilisez le cas échéant une plaque isolante.
- Attendez que les boissons et aliments chauds aient refroidi à la température de la pièce avant de les ranger dans le compartiment congélateur.
- Vous pouvez utiliser le froid qu'ils ont emmagasiné pour refroidir les aliments stockés dans le réfrigérateur. Vous profitez ainsi de leur excédent de froid pour refroidir les aliments déjà présents dans ce compartiment.
- Ouvrez le moins possible les portes de l'appareil lorsque vous mettez ou prenez des aliments.
- Pour éviter une hausse de consommation d'électricité, nettoyez de temps en temps l'arrière de l'appareil.

L'agencement des pièces d'équipement n'influe pas sur l'énergie absorbée par l'appareil.

Bruits de fonctionnement

Bruits parfaitement normaux

Bourdonnements étouffés – ces bruits normaux se font entendre pendant que le compresseur est en marche. Le ventilateur du système de circulation d'air fonctionne.

Gargouillis, clapotis légers ou **bourdonnements** – du fluide réfrigérant circule dans les serpentins. Eau en train d'affluer dans le distributeur de glaçons.

Cliquetis – ils sont audibles lorsque le moteur se met en marche ou s'arrête. L'électrovanne située sur le raccordement de l'eau s'ouvre et se ferme.

Bruit de chute – les glaçons finis de se solidifier chutent du distributeur dans le bac.

Bruits faciles à supprimer

L'appareil ne repose pas d'aplomb

Vérifiez l'horizontalité de l'appareil à l'aide d'un niveau à bulle. Ajustez ensuite l'horizontalité par les pieds à vis ou placez un objet dessous.

L'appareil touche quelque chose

Eloignez l'appareil de meubles ou d'appareils voisins.

Des tiroirs, paniers ou surfaces de rangement vibrent ou se coincent

Vérifiez les pièces amovibles puis remettez-les en place correctement.

Des récipients se touchent

Eloignez légèrement les bouteilles ou récipients les uns des autres.

Si vous dégivrez l'appareil

La décongélation a lieu automatiquement.

L'eau issue de la décongélation coule en direction du bac d'évaporation contre la paroi arrière du réfrigérateur et s'évapore ensuite automatiquement.

Nettoyage de l'appareil

- **Attention** : débranchez la fiche mâle de la prise secteur ou coupez le fusible / disjoncteur !
- Ne nettoyez le joint de porte qu'avec de l'eau claire puis essuyez-le à fond avec un chiffon sec.
- Nettoyez l'appareil avec de l'eau tiède additionnée de produit à vaisselle. Cette eau ne doit pas pénétrer dans le bandeau de commande ou l'éclairage.
- N'utilisez aucun produit de nettoyage abrasif contenant du chlorure ou de l'acide, ni aucun solvant.

Lorsque vous sortez les clayettes en verre, elles sont très froides. Ne les plongez pas directement dans de l'eau de vaisselle très chaude.

Ne nettoyez jamais les clayettes et les bacs au lave-vaisselle. Ces pièces pourraient se déformer.

- Après le nettoyage : rebranchez la fiche mâle dans la prise de courant ou réarmez le disjoncteur / remettez le fusible en place.

Attention !

Ne touchez pas les produits surgelés avec les mains nues. Elles risqueraient de rester collées dessus. Risque de blessures !

Ne dégivrez ni ne nettoyez jamais l'appareil avec un nettoyeur à vapeur. La vapeur risque d'atteindre des pièces électroconductrices de l'appareil et de provoquer un court-circuit ou vous faire électrocuter. La vapeur peut endommager les surfaces en plastique.

Remédier soi même aux petites pannes

Avant d'appeler le service après-vente (SAV) :

Vérifiez svp si vous ne pouvez pas remédier vous-même au dérangement à l'aide des instructions qui suivent. Si vous faites venir le technicien, ses conseils vous seront facturés, même pendant la période de garantie !

Compartiments réfrigérateur et congélateur :

Dérangement	Cause possible	Remède
L'appareil ne refroidit pas. L'éclairage intérieur est éteint.	Coupure de courant ; disjoncteur disjoncté ; fiche mâle pas complètement branchée dans la prise.	Vérifiez si la prise est sous tension. Le disjoncteur doit se trouver en position armée.
Le groupe frigorifique s'enclenche de plus en plus souvent et longtemps.	Vous avez ouvert fréquemment la porte.	N'ouvrez pas la porte inutilement.
	Vous avez mis une assez grande quantité d'aliments à congeler.	Ne dépassez pas la capacité de congélation maximale.
	Les orifices d'apport et d'évacuation d'air sont recouverts par des objets faisant obstacle.	Enlevez ces obstacles.
La température est trop basse dans le compartiment réfrigérateur ou congélateur.	Vous avez réglé la température trop basse.	Réglez-les respectivement sur une température plus élevée (voir « Réglage de la température »).
Les aliments congelés sont collés entre eux ou contre une paroi.		Détachez-les à l'aide d'un objet émoussé. Ne les détachez pas avec un couteau ou un objet pointu.
Le compartiment congélateur présente une épaisse couche de givre.		Veillez toujours à ce que les portes de l'appareil soient fermées.
L'éclairage intérieur ne fonctionne pas.	L'ampoule est défectueuse.	Changez l'ampoule (voir « Changement d'ampoule »).
	L'interrupteur de l'éclairage est coincé.	Vérifiez si l'interrupteur d'éclairage peut être actionné.
	L'appareil est resté trop longtemps ouvert. L'éclairage s'éteint au bout de 10 minutes environ.	Fermez la porte puis ouvrez-la pour obtenir de nouveau l'éclairage.
Le compartiment congélateur n'atteint plus la température réglée.	La porte compartiment congélateur est restée longtemps ouverte. L'évaporateur (générateur de froid) est tellement givré que le système de décongélation automatique ne parvient pas à résorber la quantité de givre présente.	Sortez les produits congelés de l'appareil et rangez-les bien isolés dans un endroit frais. Au bout de 12 heures environ, la glace a fondu dans le système de réfrigération. Réenclenchez l'appareil puis rangez les produits congelés. Remarque ! N'ouvrez pas la porte du compartiment réfrigérateur inutilement. Vous éviterez ainsi une déperdition du froid. Si les consignes précédemment énoncées ne vous permettent pas de supprimer le dérangement, veuillez toujours contacter le service après-vente.

Distributeur d'eau et de glaçons

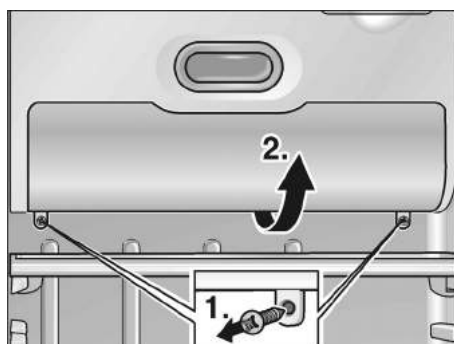
Dérangement	Cause possible	Remède
Bien que l'appareil fonctionne déjà depuis longtemps, il n'a produit encore aucun glaçon.	Robinet d'eau fermé.	Ouvrez le robinet d'eau.
	Alimentation en eau coupée. Pression de l'eau trop faible.	Prévenez l'installateur.
	Distributeur de glaçons verrouillé. Le symbole du cadenas est allumé.	Appuyez sur la touche de verrouillage «Distributeur de glaçons».
	Température trop élevée dans le compartiment congélateur.	Réduisez la température dans le compartiment congélateur (voir «Réglage de la température»).
Il y a des glaçons dans le bac à glaçons mais ils ne descendent pas.	Les glaçons se sont soudés entre eux.	Retirez le bac à glaçons et videz-le.
Les glaçons se sont coincés à la sortie du bac à glaçons ou dans le broyeur de glace.		Retirez le bac à glaçons et faites tourner la vis sans fin de transport à la main. Avec un bâtonnet en bois, détachez les glaçons éventuellement coincés.
Les glaçons sont à moitié dégelés.	Les glaçons ont dégelé à un certain moment à la suite d'une panne de courant, ou la porte du compartiment congélateur n'était pas correctement fermée.	Retirez le bac à glaçons, videz-le puis essuyez-le bien pour le sécher.
Les glaçons diminuent de volume par évaporation.		L'air froid qui s'écoule sur les glaçons provoque leur rapetissement. Ce phénomène, normal, se manifeste surtout si vous en prélevez peu.
La trappe du distributeur de glaçons ne ferme pas correctement.	Des glaçons l'empêchent de se fermer.	Retirez les glaçons.
Des glaçons adhèrent dans le bac à glaçons.	Des dépôts de tartre provenant de l'eau peuvent se former contre la paroi des bacs.	Humectez un chiffon avec du vinaigre et essuyez les bacs. Si les dépôts sont épais, nettoyez les bacs chaque fois que vous nettoyez le compartiment réfrigérateur.
Les glaçons sont inégaux et il y a de l'eau dans le bac à glaçons.	L'appareil n'est pas d'aplomb.	Mettez l'appareil d'aplomb en vous servant d'un niveau à bulle et de ses roulettes et pieds à vis réglables en hauteur (voir les instructions d'installation).
Le distributeur d'eau ne fonctionne pas.	Robinet d'eau fermé.	Ouvrez le robinet d'eau.
	Alimentation en eau coupée. Pression de l'eau trop faible.	Prévenez l'installateur.
	Température trop élevée dans le compartiment congélateur.	Réduisez la température dans le compartiment congélateur (voir «Réglage de la température»).

Changement d'ampoule

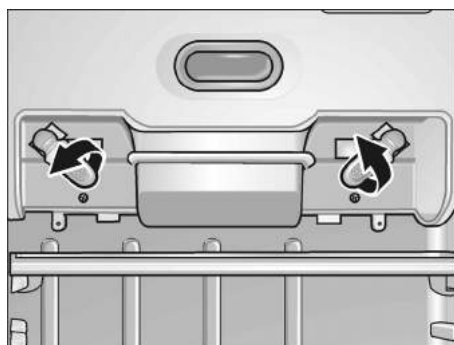
Les sources d'éclairage utilisées dans l'appareil ne sont appropriées que pour les appareils ménagers. Les sources d'éclairage ne sont pas appropriées pour éclairer une pièce.

Changer l'ampoule à l'intérieur

- **Attention** : débranchez la fiche mâle de la prise secteur ou coupez le fusible / disjoncteur !
- Défaites les 2 vis situées en dessous du cache-lampe puis retirez ce dernier.



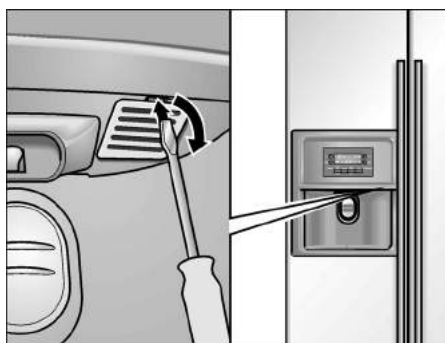
- Changer l'ampoule.
Ampoule de rechange 220-240 V courant alternatif, douille E14, puissance : voir l'inscription sur l'ampoule défectueuse.



- Remontez le cache-lampe.

Changer l'ampoule dans le distributeur de glaçons et d'eau

- **Attention** : débranchez la fiche mâle de la prise secteur ou coupez le fusible / disjoncteur !
- Soulevez le cache-lampe à l'aide d'un tournevis.



- Changer l'ampoule.
Ampoule de rechange 220-240 V courant alternatif, douille E14, puissance : voir l'inscription sur l'ampoule défectueuse.

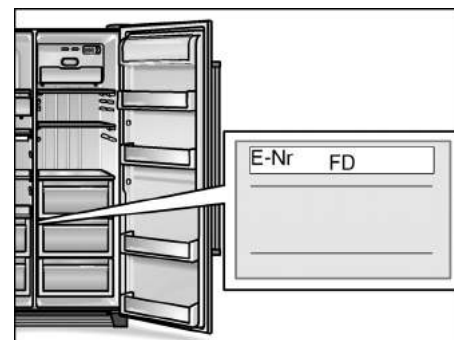


- Posez le recouvrement.

Appeler le service après-vente

Pour connaître le service après-vente situé le plus près de chez vous, consultez l'annuaire téléphonique ou le répertoire des services après-vente (SAV). Veuillez indiquer au SAV le numéro de série (E-Nr.) de l'appareil et son numéro de fabrication (FD-Nr.).

Vous trouverez ces indications sur la plaque signalétique



Aidez-nous à éviter des déplacements inutiles : indiquez les numéros de série et de fabrication. Vous économiserez ainsi des suppléments de frais inutiles.

Demande de réparation et conseils en cas de problème

Vous trouverez les coordonnées de tous les pays dans le répertoire du service après-vente ci-joint.

B 070 222 141

FR 01 40 10 11 00

CH 0848 840 040

Instructions d'installation

Remarque importante :

Ces instructions d'installation valent pour plusieurs modèles.

Certains des modèles ne requièrent pas les étapes de travail décrites ici.

L'installation et le raccordement de cet appareil sont des opérations réservées à un spécialiste agréé.

Réalisez le raccordement de l'eau impérativement avant celui de l'électricité.

Outre les prescriptions légales en vigueur dans votre pays, veuillez aussi respecter les règlements publiés par les compagnies distribuant l'électricité et l'eau dans votre localité.

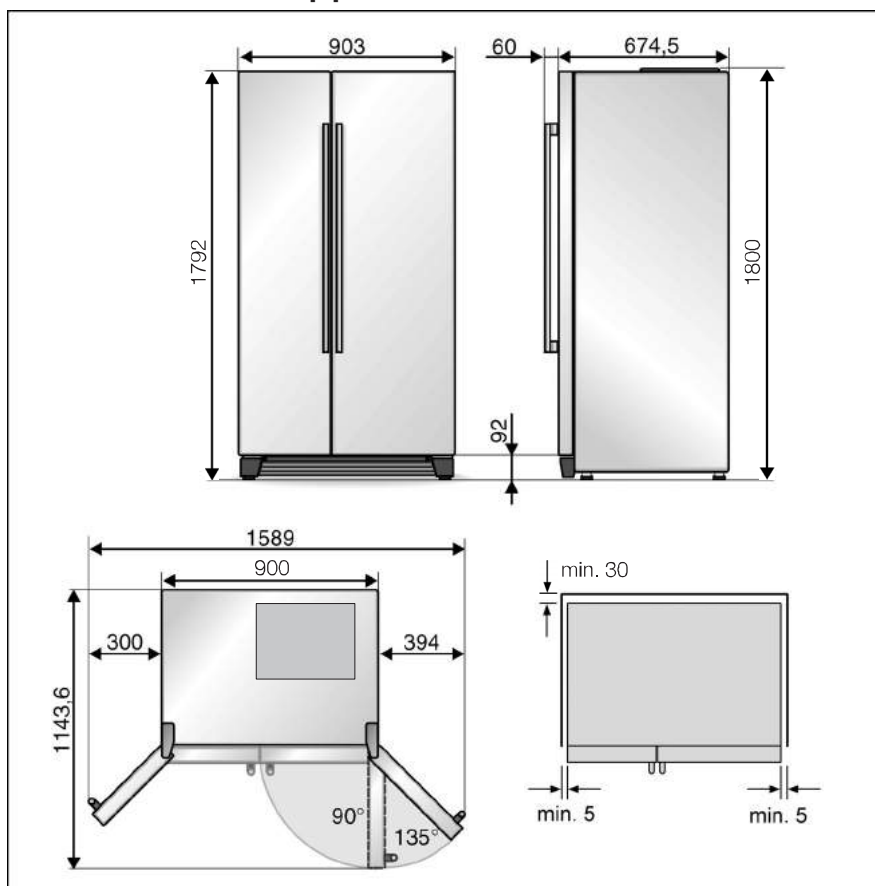
Veuillez conserver les présentes instructions d'installation.

Lieu d'installation

Attention : L'appareil est très lourd. Pour connaître son poids à vide, reportez-vous au tableau suivant.

Version de base	104 kg
Version à distributeur	113 kg
Version à minibar	115 kg

Dimensions de l'appareil et cotes d'encombrement



Un local sec et aérable convient comme lieu d'installation. Evitez de placer l'appareil à un endroit directement exposé aux rayons solaires ou à proximité d'une source de chaleur telle qu'une cuisinière, un radiateur, etc.

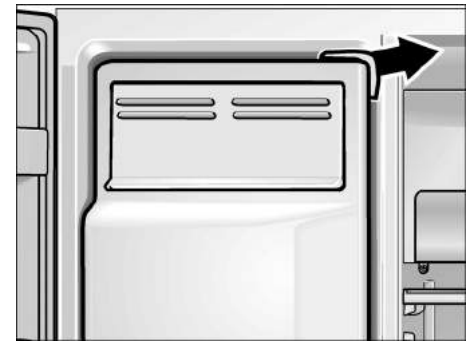
Si l'installation près d'une source de chaleur est inévitable, utilisez une plaque isolante appropriée ou respectez les distances minimales suivantes:

- 3 cm par rapport à une cuisinière électrique,
- 30 cm par rapport aux chaudières à fuel et à charbon.

Le sol sur l'emplacement de l'appareil ne doit pas s'affaisser. Vous devrez le cas échéant renforcer le sol. L'appareil est très lourd (env. 145 kg à vide). Une fois rempli, il peut atteindre 400 kg). Afin que le distributeur de glaçons fonctionne impeccablement, l'appareil doit se trouver parfaitement à la verticale. Il faudra respecter les écarts latéraux minimum si l'appareil se trouve dans un coin ou dans une cavité aménagée dans un mur et pour pouvoir ouvrir les portes jusqu'à la butée (voir la section «Dimensions de l'appareil et cotes d'encombrement»).

Déballer l'appareil

- Enlevez le matériau d'emballage et les rubans adhésifs. Vous pouvez retirer les résidus de ruban adhésif sur le corps de l'appareil à l'aide du côté collant du ruban retiré. Pour ce faire, posez le ruban plusieurs fois sur les résidus et détachez-le à nouveau.
- N'enlevez les cales de transport retenant les clayettes et balconnets qu'après l'installation.
- N'enlevez la cale de transport du distributeur de glaçons qu'après l'installation. Pour ce faire, extrayez le distributeur de glaçons.

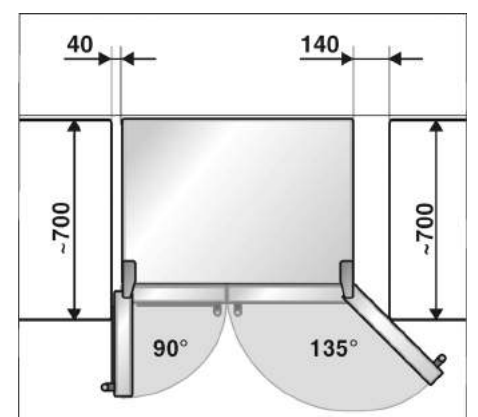


Attention :

Avant de raccorder l'appareil au secteur, il faudra avoir intégralement retiré les matériaux d'emballages présents à l'intérieur et l'extérieur.

Si la profondeur des équipements de cuisine voisins dépasse 60 cm, il faudra respecter des écarts latéraux minimums afin de profiter de l'angle complet d'ouverture des portes.

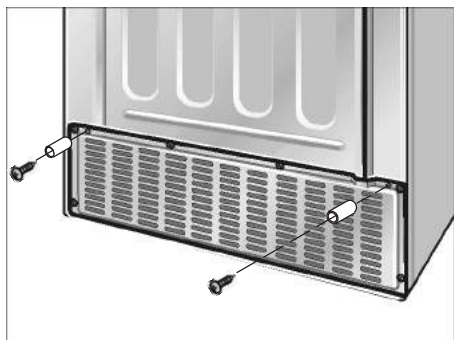
Angle d'ouverture des portes	Écart minimum
90°	40 mm
135°	140 mm



Si vous montez un cache ou un placard au-dessus de l'appareil, il faudra prévoir un espace libre pour pouvoir si nécessaire sortir l'appareil de la cavité.

Distance minimale par rapport au mur du fond

- Fixez les entretoises fournies avec les vis, au niveau des orifices prévus à cet effet au dos de l'appareil.



Ainsi, la distance minimale de 30 mm par rapport au mur est respectée et l'évacuation de l'air est assurée.

Dévisser les portes

Si l'appareil ne passe pas par la porte d'entrée de votre logement, vous pouvez démonter les portes de l'appareil.

Attention :

Si nécessaire, le démontage des portes de l'appareil ne doit être effectué que par le service après-vente. Pour le coût du démontage des portes, veuillez consulter le service après-vente.

Raccorder l'appareil au réseau d'eau

Le raccordement de l'eau est une opération exclusivement réservée à un installateur professionnel qui respectera ce faisant les prescriptions publiées par la compagnie distributrice d'eau dans votre localité.

Raccordez l'appareil à une conduite d'eau potable.

- Pression minimum : 1,0 bar
- Pression maximum : 8,0 bar

Consultez une entreprise de plomberie si vous n'êtes pas sûr de la pression réelle de l'eau.

Attention :

En cas de pression d'eau supérieure à 5,5 bar, un détendeur doit être installé, faute de quoi il existe un risque de dégâts des eaux. En cas de pression d'eau inférieure à 1,0 bar, la fabrique de glace ne peut pas fonctionner.

Le robinet d'arrivée d'eau pour raccorder la conduite de raccordement joint doit être accessible.

L'appareil ne peut être raccordé qu'à une conduite d'eau froide.

L'installation de la cartouche filtrante jointe peut améliorer le goût et l'odeur de l'eau. Respectez dans ce cas les conditions de branchement différentes (voir le chapitre « Filtre à eau »).

Branchement

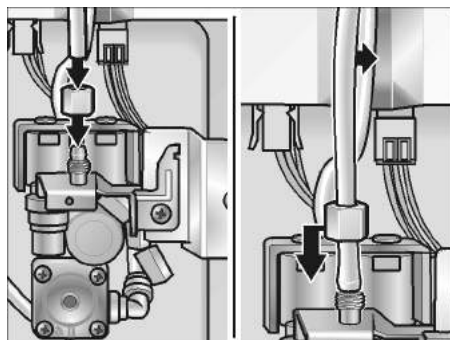
⚠ Attention

Risque de fuites et de dégâts des eaux.

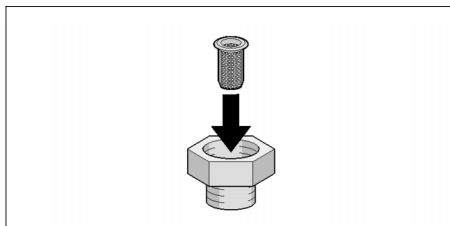
Veuillez respecter les points suivants :

- Ne pas plier le tuyau de raccordement.
- Couper droit le tuyau de raccordement.
- Ne pas couper le tuyau de raccordement à l'aide d'une pince.
- Serrer à fond le manchon fileté à la main. Ne pas utiliser de pinces.

1. Brancher le tuyau de raccordement à l'électrovanne.



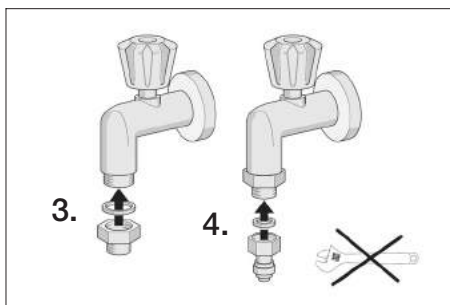
2. Insérer un filtre dans le réducteur.



Remarque :

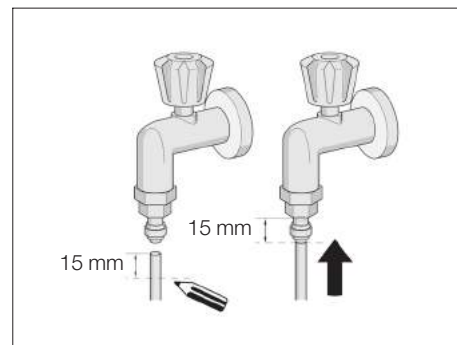
Le filtre doit être nettoyé une fois par an. En cas de présence de nombreuses particules dans l'eau, nettoyer le filtre plus souvent.

3. Visser le réducteur au robinet d'eau.



4. Raccorder le manchon fileté au robinet.

5. Enfoncer le tuyau de raccordement dans le manchon fileté jusqu'à ce qu'il vienne en butée.



- La conduite de raccordement peut être fixée au mur de la pièce à l'aide des colliers de serrage inclus.

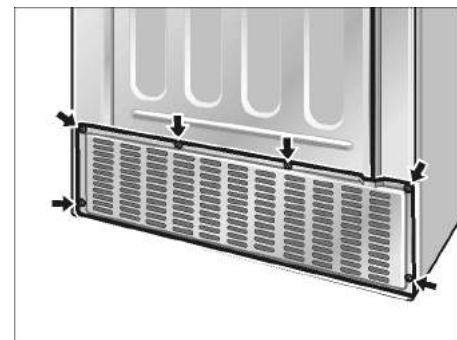
Attention :

L'appareil ne doit en aucun cas être percé ou fixé à l'aide de boulons.

- Posez la conduite en boucles ou en spires afin de pouvoir éloigner l'appareil du mur sans lui faire subir de tensions mécaniques.

Vérifier l'étanchéité du raccordement de l'eau

- Mettez l'appareil en service en respectant le contenu de la notice d'utilisation.
- Prélevez de l'eau conformément à la notice d'utilisation. La première fois, l'eau tarde quelques secondes à sortir vu qu'il reste de l'air dans les conduites et dans le réservoir d'eau.
- Vérifiez l'étanchéité de toutes les jonctions par vis sur l'appareil et sur le raccordement de l'eau.
- Après cette vérification, débranchez à nouveau la fiche mâle de la prise de courant et montez le capot du compartiment moteur.

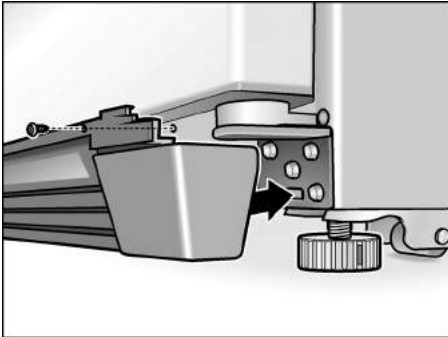


Ajuster l'appareil

Afin que l'appareil fonctionne impeccablement, il faut l'horizontaliser à l'aide d'un niveau à bulle.

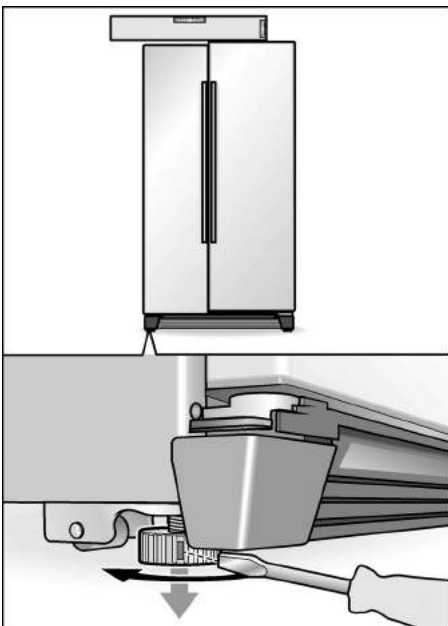
S'il n'est pas d'aplomb, l'eau risque de fuir du distributeur de glaçons, qui va produire des glaçons difformes, ou les portes risquent de ne pas bien fermer.

- Amenez l'appareil sur l'emplacement prévu.
- Fixez le bandeau de socle ci-joint à l'aide de 3 vis.

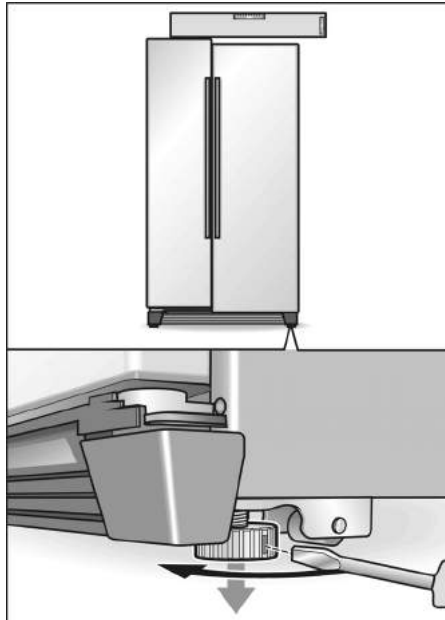


- Afin que l'appareil ne puisse pas se mettre à rouler tout seul, dévissez ses deux pieds avant jusqu'à ce qu'ils entrent fermement en contact avec le sol.
- Tournez les pieds jusqu'à ce que l'appareil soit parfaitement à l'horizontale. Servez-vous de ses portes comme indicateurs d'horizontalité.

Si la porte du compartiment congélateur se trouve plus bas :

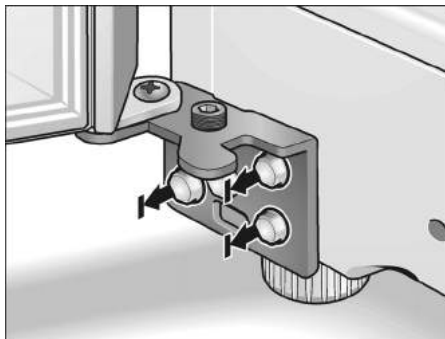


Si la porte du compartiment réfrigérateur se trouve plus bas :

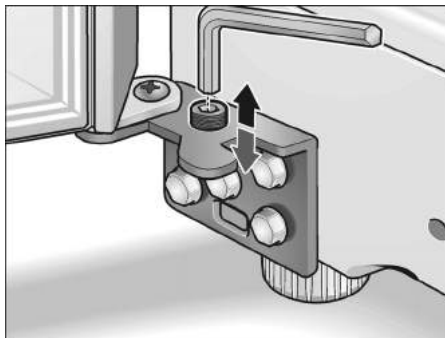


Si les étapes accomplies jusqu'à présent ne suffisent pas pour aligner correctement la porte :

- Retirez le bandeau du socle.



- Desserrez 3 vis de charnière. **Ne dévissez pas complètement les vis !**
- Introduisez la clé hexagonale dans la vis d'ajustage.



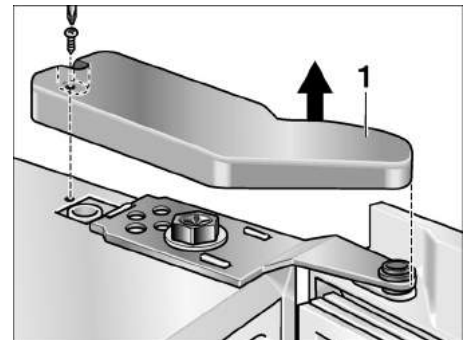
- Pour soulever une porte :
Tournez la clé hexagonale dans le sens des aiguilles d'une montre.
- Pour abaisser une porte :
Tournez la clé hexagonale en sens inverse des aiguilles d'une montre.

Remarque :

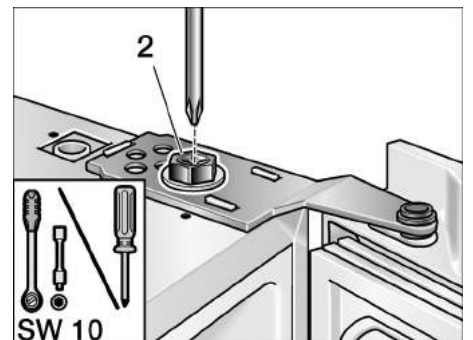
Il peut arriver que la porte du compartiment réfrigérateur s'incline, même lorsque l'appareil est bien d'aplomb ; cela est dû au poids propre de la porte et aux denrées présentes en contre-porte. L'interstice de porte n'est pas le même en haut et en bas.



- Retirez le couvercle à charnière supérieur (1).



- Dévissez les vis de charnière (2). **Ne dévissez pas la vis complètement.**



- Adaptez l'inclinaison de la porte du compartiment réfrigérateur.
- Revissez la vis de charnière à fond.
- Fixez les couvercles des charnières.

Mise en service de l'appareil

Mettez l'appareil en service en respectant le contenu de la notice d'utilisation.

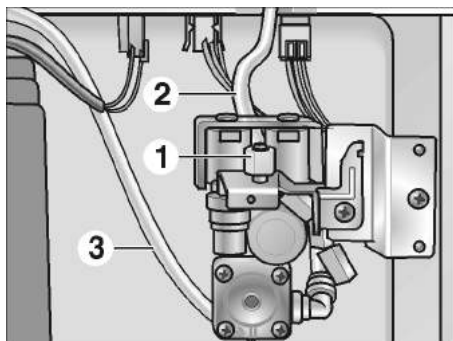
Remisage de l'appareil

Mettez l'appareil hors service conformément à la notice d'utilisation ci-jointe.

Si vous voulez mettre l'appareil hors service ou le ranger à un endroit dont la température descend en-dessous du point de congélation, il faudra vider le réservoir équipant le distributeur d'eau.

Vider le réservoir d'eau dans l'appareil

- **Débranchez la fiche mâle de la prise de courant.**
- Fermez le robinet d'eau de l'appareil.
- Au dos de l'appareil, retirez le capot du compartiment machine.
- Dévissez la conduite de branchement (1).
- Sous la vanne de raccordement, placez un bac de récupération plat (contenance : 3 litres env.).



- Sur la vanne de raccordement de l'appareil, dévissez les flexibles (2) et (3) les uns après les autres, videz-les et revissez-les ensuite.
Important : ne permutez pas les branchements des flexibles.
- Après la vidange, remontez le couvercle du compartiment machine.

N'ouvrez robinet d'eau que lors de la remise en service.

tr İçindekiler

Güvenlik ve ikaz bilgileri	45
İmha bilgileri	46
Paket içeriği	46
Yeni cihazınız	47
Montaj	49
Cihazın elektriğe bağlanması	49
Oda sıcaklığına ve havalandırmaya dikkat edilmesi	49
Cihazın çalıştırılması	49
Sıcaklık ayarı	49
Cihazın kapatılması, cihazın tamamen kapatılması	50
Fonksiyonlar	50
Değiştirilebilir iç dizayn	50
Soğutucu bölümü	51
Dondurucu bölümü	51
Besinlerin dondurulması ve depolanması	52
Otomatik buz ve su deposu	53
Su filtresi	54
Enerji tasarruf bilgileri	56
Çalışma sesleri	56
Cihazın buzunun çözülmesi	56
Cihazın temizlenmesi	56
Küçük arızaların giderilmesi	57
Lamba değişimi	59
Yetkili servisin çağırılması	59
Montaj kılavuzu	60

Güvenlik ve ikaz bilgileri

Cihazı çalıştırmadan önce

Cihazı çalıştırmadan önce, çalıştırma ve montaj kılavuzlarındaki bilgileri dikkatlice okuyunuz. Bu talimatlarda cihazın kurulması, yerleştirilmesi, kullanılması ve bakımı ile ilgili önemli bilgiler bulunmaktadır.

Üretici, kullanım kılavuzundaki bilgileri ve uyarıları dikkate almamanız durumunda sorumlu değildir.

Belge ve dokümanları sonradan kullanabilmek için veya satacaksanız yeni sahibi için saklayınız.

Teknik güvenlik

⚠ Uyarı

- Elektrik şebekesi bağlantı hattının değiştirilmesi ve diğer onarım çalışmaları sadece yetkili servis tarafından yapılmalıdır. Gerektiği gibi yapılmayan kurma işlemleri ve onarımlar kullanıcı için önemli zararlara neden olabilir.

Kullanım için önemli bilgiler

- Cihaz içinde kesinlikle elektrikli cihazlar kullanmayınız (örn. ısıtma cihazları, elektrikli dondurma yapma cihazları v.s.). Patlama tehlikesi!
- Cihazı temizlemek veya buzunu çözmek için asla buharlı temizleme cihazları kullanmayınız. Buhar, cihazın gerilim altında olan elektrikli parçalarına gelebilir ve kısa devre oluşmasına veya cereyan çarpmasına yol açabilir.
- Cihazın içinde yanıcı tahrik gazı ihtiva eden ürünler (örn. sprey kutuları) ve patlayıcı maddeler bulundurmuyunuz. Patlama tehlikesi!
- Cihazın tabanını, raflarını, kapılarını ve bu gibi parçalarını basamak niyetine veya destek olarak kullanmayınız.
- Buz çözme ve temizleme işlemi için, cihazın elektrik fişini prizden çekip çıkarınız veya bağlı olduğu sigortayı kapatınız. Fişi prizden çıkarırken, fişin kendisi tutulmalıdır, kablodan tutulup çekilmemelidir.
- Alkol oranı yüksek olan sıvı dolu şişeleri iyice kapatarak ve dik olarak buzdolabına koyunuz.
- Cihazın plastik parçalarına ve kapının contasına sıvı ve katı yağ değmemesine özen gösteriniz. Aksi halde bu parçalar delinip aşınabilir.
- Cihazın hava giriş ve çıkış delikleri kesinlikle örtülmemeli ve önleri kapatılmamalıdır.
- **Çocuklar ve tehlikeye açık kişiler için risklerin engellenmesi:** Çocuklar ve vücutsal, fiziksel veya mental olarak engelli olan kişiler ve cihazın kullanımı konusunda yeterince bilgi sahibi olmayan kişiler. Çocukların ve tehlikedeki kişilerin tehlikeyi anladığından emin olunuz. Güvenlikten sorumlu bir kişi çocukları veya tehlikeye açık kişileri cihaz konusunda bilgilendirmeli veya eğitmelidir. Sadece 8 yaşından büyük çocukların cihazı kullanmasına izin verilmelidir. Bakım ve temizleme sırasında çocuklara dikkat ediniz. Asla çocukların cihazla oynamasına izin vermemelisiniz.
- Şişe ve kutu içindeki sıvı maddeleri (özellikle karbonik asit ihtiva eden içecekleri) dondurucu bölümüne koymayınız. Şişeler ve kutular patlayabilir!

- Sapı olan dondurmaları ve küp buz parçalarını doğrudan buzluktan ağzınıza almayınız. Bu maddeler çok soğuk olduğu için, ağzınızda **donma yanığı olma tehlikesi** söz konusudur!
- Dondurulmuş besinlere ıslak eller ile dokunmayınız. Ellerinizi donmuş besinlere yapışabilir. Yaralanma tehlikesi!
- Cihazın içinde oluşan kar, buz ve kırağı tabakalarını ve ayrıca donup cihaza yapışmış besinleri bıçak veya sivri cisimler ile cihazdan çıkarmaya veya kazımaya çalışmayınız. Aksi halde soğutucu madde sirkülasyon borularının zarar görme tehlikesi söz konusudur. Dışarı sızan soğutucu madde göz yaralanmasına sebep olabilir.

Evdaki çocuklar

- Ambalajları ve ambalaj parçalarını çocuklara vermeyiniz. Katlanabilen karton kutu ve folyolardan dolayı, havasız kalıp boğulabilirler!
- Kapısında kilit tertibatı olan cihazlarda: Kilidin anahtarını çocukların erişemeyecekleri bir yerde muhafaza ediniz!

Genel yönetmelikler

Bu cihaz

- Besinleri soğutmak.
- Besinleri dondurmak.
- Buz hazırlamak için kullanılır.

Bu cihaz, deniz seviyesinden en fazla 2000 metre yükseklikte kullanılmak üzere tasarlanmıştır.

Bu cihaz sadece ev içinde kullanılmak üzere üretilmiştir.

Cihaz, 2004/108/EC AB direktiflerine istinaden parazitlenmeye karşı korunmuştur.

Soğutucu madde devresinin sızdırmazlığı kontrol edilmiştir.

Bu ürün, elektrikli ev aletleri (EN 60335/2/24) için ilgili güvenlik düzenlemelerine uygundur.

İmha bilgileri

Ambalajın imha edilmesi

Ambalaj cihazınızı taşıma esnasında oluşabilecek hasarlara karşı korur. Yeni cihazın ambalajı için kullanılan tüm malzemeler çevreye zarar vermeyen türden olup, yeniden geri kazanılabilir. Ambalajları çevre dostu bir şekilde imha ederek, lütfen siz de çevrenin daha iyi bir çevre için katkıda bulununuz.

Mevcut imha etme yollarını yetkili satıcınızdan veya bağlı bulunduğunuz belediyelerden öğrenebilirsiniz.

Uyarı

Ambalajları ve ambalaj parçalarını çocuklara vermeyiniz. Katlanabilen karton kutu ve folyolardan dolayı, havasız kalıp boğulabilirler!

Eski cihazınızın imha edilmesi

Eski cihazlar değersiz çöp değildir! Eski cihazların geri dönüştürülmesi ile değerli ham maddeler elde edilebilir.



Bu ürün 2012/19/EU sayılı Atık Elektrikli ve Elektronik Ekipmanlar Direktifi'ne göre etiketlenmiştir. Ulusal yönetmelik (Türkiye Resmi Gazetesi No: 28300 Tarih: 22.05.2012) Avrupa genelinde geçerli olan, ürünlerin geri toplanması ve geri dönüştürülmesi ile ilgili yapıyı belirtir.

Uyarı

Eskimiş ve artık kullanılmayacak cihazlarda

1. Cihazın elektrik fişini prizden çıkarınız.
2. Elektrik kablosunu kesip, fişi ile birlikte cihazdan ayırınız.

Soğutma cihazlarının içinde soğutucu maddeler vardır, yalıtım tertibatlarında ise izolasyon gazları vardır. Soğutma maddeleri ve gazlar doğru bir şekilde imha edilmelidir. Soğutucu madde sirkülasyon borularının doğru şekilde imha edilmeden önce zarar görmemesine dikkat ediniz.

Paket içeriği

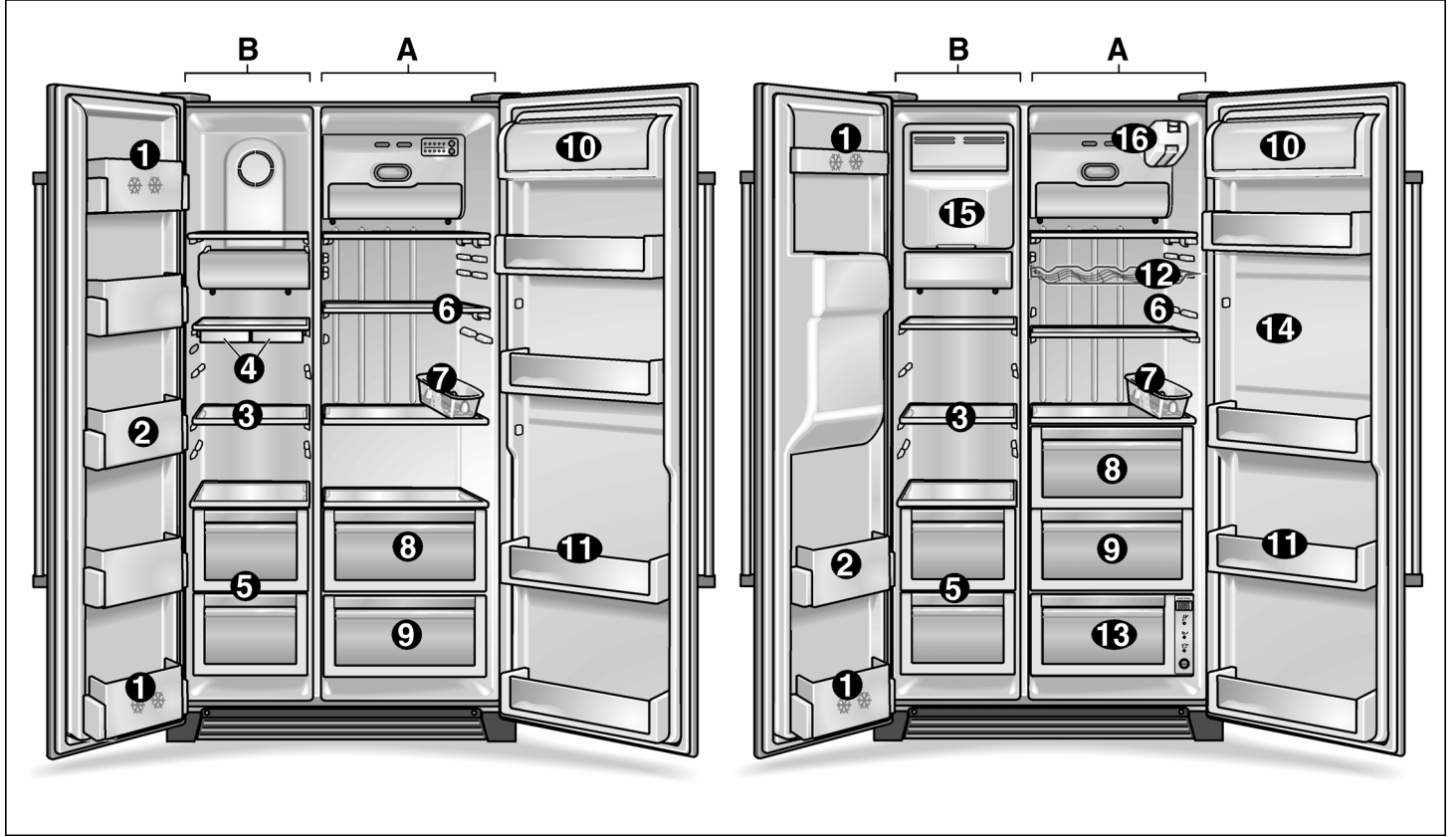
Parçaları paketin içerisinden çıkardıktan sonra, taşıma sırasında hasar görüp görmediklerini kontrol ediniz. Şikayet durumunda, cihazı satın aldığınız satıcınıza veya müşteri hizmetlerimize başvurunuz.

Paket içeriği aşağıdaki parçalardan oluşmaktadır:

- Solo cihaz
- Montaj malzemelerini içeren torba
- Donanım (modele bağlı olarak)
- Kullanım ve montaj kılavuzu
- Müşteri Hizmetleri Kitapçığı
- Garanti Belgesi
- Enerji tüketimi ve sesler ile ilgili bilgiler

Yeni cihazınız

Bu kullanma kılavuzu birden fazla model için geçerlidir. Resimlerde farklılıklar olabilir.



- A Soğutucu bölümü**
B Dondurucu bölümü

1 Kapı için raflar (2 yıldızlı göz)

Kısa bir süre için besin ve dondurma depolamak için kullanılır.

2 Kapı için raflar

Dondurulmuş besinlerin depolanması için kullanılır.

3 Cam raflar, dondurucu bölümü

Örn. et, balık ve dondurma gibi, dondurulmuş besinlerin depolanması için kullanılır.

4 Küp buz kabı *

5 Dondurucu bölümü kabı

Et, balık, kümes hayvanlarının (ambalajlı) depolanması için kullanılır.

6 Cam raflar, soğutucu bölümü

Pişirilmiş besinlerin, süt mamullerinin, sucuk türü ürünlerin depolanması için kullanılır.

7 Yumurtalık

8 Sebzelik

9 Meyvelik

10 Tereyağı ve peynir kabı

Konserve, şişe ve kavanozların depolanması için kullanılır.

12 Şarap rafı *

13 Taze tutma bölümü *

Balık, et ve kümes hayvanlarının en ideal şekilde depolanması için kullanılır.

14 Bar bölümü *

Buzdolabının kapısını açmadan, çabucak içecek almak için dıştan açılabilir.

15 Buz hazırlayıcı *

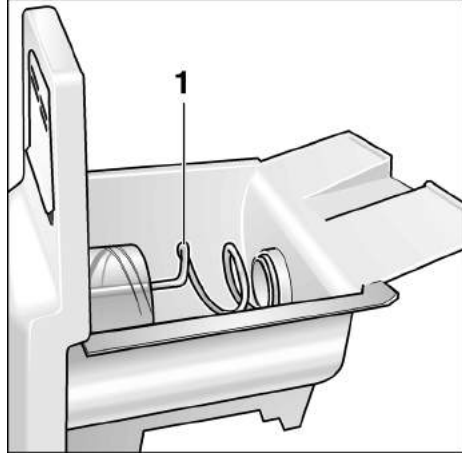
Küp buz üretmek ve depolamak için kullanılır.

16 Su filtresi *

* her modelde değil

Not

Eğer resimlerde gösterilen parçalardan bazıları sizin cihazınızda yoksa, ilgili parçalar başka modellere ait demektir.

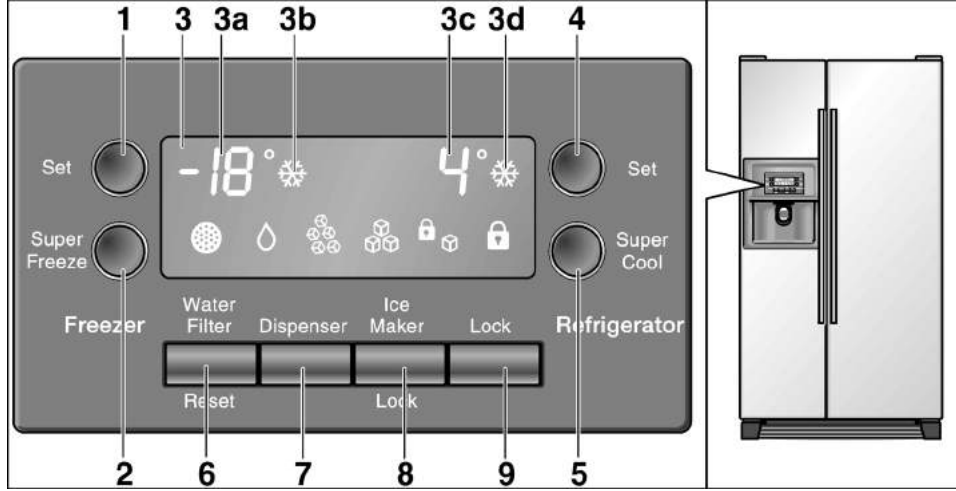
Buz hazırlayıcı

1 Sevk helezonu

Buz ve su deposu

2 Alma bezi

3 Su toplama kabı

Kumanda ve gösterge alanı

1 Dondurucu bölmesi sıcaklığı için ayar tuşu

2 "Super" dondurma tuşu

3 Gösterge alanı

3a Dondurucu bölmesi sıcaklık göstergesi

3b "Super" dondurma göstergesi

3c Soğutucu bölmesi sıcaklık göstergesi

3d "Super" soğutma göstergesi

4 Dondurucu bölmesi sıcaklığı

5 "Super" soğutma tuşu

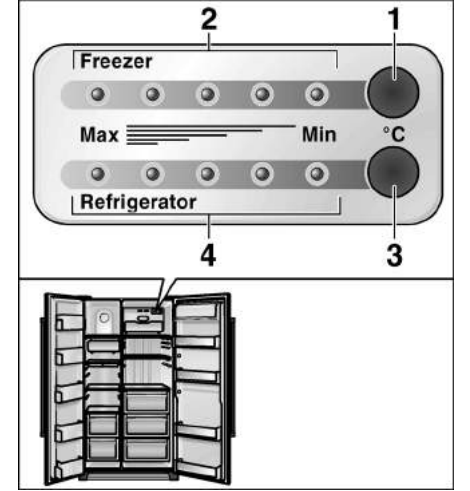
6 Su filtresi sıfırlama tuşu

7 Su/buz talep tuşu

8 Buz hazırlayıcı kilitleme tuşu
Buz hazırlayıcının temizlenmesi veya uzun süre kullanılmaması durumunda kullanılır.

9 Kumanda alanı kilitleme tuşu (çocuk emniyeti)

Ayarların istenmeden değiştirilmesini önlemek için, bu tuşa basınız. Kilitlemeyi yeniden çözmek için, tuşa bir saniyeden daha uzun bir süre basınız. Gösterge söner.

**Sıcaklık kontrolü**

1 Dondurucu bölmesi sıcaklığı için ayar tuşu

2 Dondurucu bölmesi sıcaklığı için LED göstergesi

3 Dondurucu bölmesi sıcaklığı

4 Soğutucu bölmesi sıcaklığı için LED göstergesi

Gösterge alanındaki sembollerin açıklamaları

"Filtre değiştirilmesi gereklidir" göstergesi.
Filtre değiştirme işleminden sonra, su filtresi sıfırlama tuşuna yaklaşık 5 saniye basarak, göstergeyi kapatınız.



"Buz hazırlayıcı kilitli" göstergesi



"Kumanda alanı" kilitli göstergesi



"Su" göstergesi



"Parçalanmış buz" (crush-ice) göstergesi



"Küp buz" göstergesi

Montaj

Montaj yeri

Cihazı kuru ve iyi havalandırılmış bir odaya kurunuz.

Güneş ışınları doğrudan cihazın kurulacağı yere gelmemeli ve cihaz elektrikli ocak, fırın, soba, kalörifer vs. gibi sıcaklık oluşturan cisimlerin ve ısı kaynaklarının yanına veya yakınına kurulmamalıdır. Eğer cihazın bir ısı kaynağının yanına kurulması kaçınılmazsa, uygun bir izolasyon plakası kullanınız veya cihaz ile ısı kaynağı arasında aşağıda belirtilen asgari mesafeleri dikkate alınız:

- Elektrikli fırınlardan 3 cm.
- Gaz yağı ve kömür sobalarından 30 cm.

Cihazın kurulacağı zemin esnememelidir. Gerekirse zemini takviye ediniz.

Cihaz oldukça ağırdır. Boş ağırlığı için aşağıdaki tabloya bakınız.

Ana modeli	104 kg
Dispenser modeli	113 kg
Homebar modeli	115 kg

Buz hazırlayıcının kusursuz çalışabilmesi için, cihaz dik konumda durmalıdır. Düzgün ayarlamak için bir su terazisi kullanınız. Cihaz kapılarının sonuna kadar açılabilmesi için, cihaz bir köşeye veya boşluğa kurulacaksa, yan taraflarda olması gereken asgari mesafelere uyulmalıdır (cihaz ebatlarına bakınız).

Cihazın elektriğe bağlanması

Cihaz kurulumundan sonra, cihazı çalıştırmadan önce en az 1 saat bekleyiniz. Taşıma sırasında, kompresördeki yağın soğutma sistemine ulaşması mümkündür.

İlk çalıştırmadan önce cihazın iç kısmını temizleyiniz (bkz. Temizleme).

Cihaz, Koruma Sınıfı I kapsamına girer. Cihazı, topraklama kablosuna sahip, kurallara uygun bir şekilde monte edilmiş, 220-240 V / 50 Hz alternatif akımlı prize takınız.

Priz cihaza yakın olmalıdır. Hatta cihaz yerine yerleştirildikten sonra da prize ulaşım kolay olmalıdır. Priz, 10-A - 16-A arası bir sigorta ile emniyete alınmalıdır.

Avrupa dışı ülkelerde işletilecek olan cihazlarda, belirtilen gerilim ve akım türünün, ilgili şebeke değerleriyle uyumlu olup olmadığı kontrol edilmelidir. Bu bilgileri tip plakasında bulabilirsiniz.

⚠ Uyarı!

Cihaz kesinlikle elektronik enerji tasarrufu prizlerine takılmamalıdır. Cihazlarımızın kullanımında sinüs ve hat komütasyonlu invertörler kullanılabilir.

Hat komütasyonlu invertörler, doğrudan elektrik şebekesine bağlanan fotovoltaik sistemlerde kullanılmaktadır. Elektrik şebekesine doğrudan bağlantısı olmayan izole uygulamalarda (örneğin gemiler veya dağ evleri), sinüs komütasyonlu invertörler kullanılmalıdır.

Dikkat:

Şebeke bağlantı kablosunun montajı veya değiştirilmesi esnasında topraklama hattı monte ediniz.

Uzatma kablosu veya dağıtıcı kullanmayınız.

Oda sıcaklığına ve havalandırmaya dikkat edilmesi

Oda sıcaklığı

İklim sınıfı tip levhasının üzerinde bulunur. Bu, cihazın hangi mekân sıcaklıkları dahilinde işletilebileceğini bildirir.

Klima sınıfı	izin verilen mekân sıcaklığı
SN	+10 °C'den 32 °C'ye kadar
N	+16 °C'den 32 °C'ye kadar
ST	+16 °C'den 38 °C'ye kadar
T	+16 °C'den 43 °C'ye kadar

Not:

Cihaz, belirtilen iklim sınıfına ait oda sıcaklığı sınırları içerisinde tam işlevseldir.

Eğer SN iklim sınıfına ait bir cihaz daha soğuk oda sıcaklıklarında çalıştırılırsa, +5 °C sıcaklığa kadar cihazda herhangi bir hasar söz konusu olmaz.

Havalandırma

Isınan hava, hiçbir engele takılmadan uçup gidebilmelidir. Yoksa soğutucu makine çok daha fazla çalışmak zorunda kalır. Bu da elektrik tüketimini artırır.

Bu yüzden: Havalandırma aralığı üzerini kesinlikle kapatmayınız veya onları kapalı konuma getirmeyiniz!

Cihazın çalıştırılması

- Elektrik fişini bir elektrik prizine takınız.

Cihaz elektrik şebekesine bağlandıktan sonra, soğutmaya başlar. Cihazın kapıları açık olunca, iç aydınlatma lambaları yanar.

Not:

Ön ayarı yapılmış olan sıcaklık derecelerine (fabrika ayarları) yaklaşık 2-3 saat sonra ulaşılır. Bu süreden önce cihaza besin koymayınız.

Ön ayar sıcaklıklarını değiştirmek için -> "Sıcaklık ayarı" bölümüne bakınız.

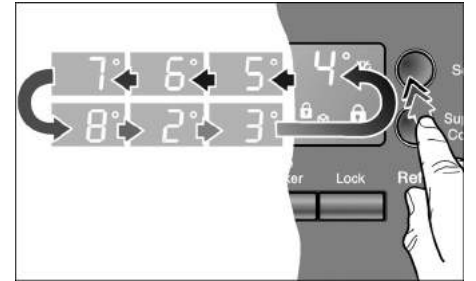
Sıcaklık ayarı

Kumanda alanlı cihazlar

- Soğutma ve dondurma bölmelerinin sıcaklığı ayarı ayrı ayarlanabilir. Ayarlanan değer gösterge alanında gösterilir.

Değerleri değiştirmek için:

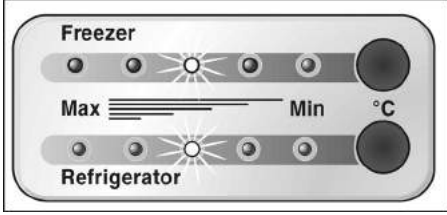
- İstenilen derece gösterilinceye kadar, ayar tuşuna arka arkaya basınız.



Son olarak ayarlanmış olan değer sistem tarafından kaydedilir.

Sıcaklık kontrollü cihazlar

- Cihaz, soğutucu ve dondurucu bölmeleri için ayrı olan bir sıcaklık kontrolüne sahiptir.
- Soğutucu ve dondurucu bölmelerinin fabrika ayarları orta derecede bir ayardır.

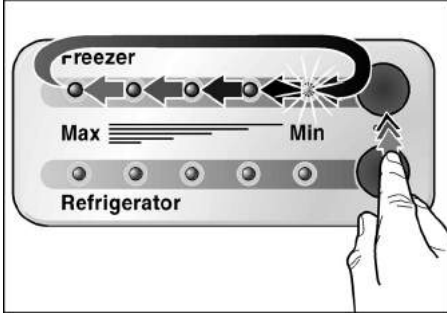


Not:

Mevcut olan 5 LED, ilgili bölmenin tüm sıcaklık ayar aralığını gösterir, örn. soğutucu bölümü için +2 °C ile +8 °C arası.

Değerleri değiştirmek için:

- İstenilen ayara ulaşıncaya kadar, ayar tuşuna arka arkaya basınız.



Isı değerleri, en sıcak (Min) ayardan en soğuk (Max) ayara doğru kademe kademe gösterilir.

Cihazın kapatılması, cihazın tamamen kapatılması

Cihazın kapatılması

- Cihazın elektrik fişini prizden çıkarınız.

Cihazın tamamen kapatılması

Eğer cihaz uzun bir süre kullanılmayacaksa:

- Cihazın içindeki tüm besinleri çıkarınız.
- Su girişini kapatınız.
- Küp buz kabını boşaltınız (bkz. "Cihazın temizlenmesi").

- Bakiye içme suyunu boşaltınız.
- Cihazın elektrik fişini prizden çıkarınız.
- Su filtresi sökülmelidir.

Not:

Tekrar devreye sokma işleminde yeni bir su filtresi takılmalıdır!

- Cihazın içini temizleyiniz (bkz. "Cihazın temizlenmesi").

Koku oluşmasını önlemek için, cihazın kapılarını açık bırakınız.

Eğer donma tehlikesi varsa, içme suyu deposunun kabı yetkili ve uzman bir eleman tarafından boşaltılmalıdır (kurma kılavuzuna bakınız).

Taşınma durumunda dikkat

Kolay çıkarılabilen tüm parçaları çıkarınız ve teker teker itinayla ambalajlayınız. Cihazın kapı ve kapaklarını yapışkan bant ile emniyetledikten sonra, cihazı dik konumda taşıyınız.

Fonksiyonlar

Kapı alarmı

Cihazın kapılarından biri açık bırakılırsa, bir dakika sonra bir alarm sinyali duyulur ve 5 dakikalık bir süre için, her 60 saniyede bir tekrarlanır.

İç aydınlatmanın otomatik kapatılması

Eğer bir cihaz kapısı 10 dakikadan daha uzun bir süre açık kalırsa, iç aydınlatma otomatik olarak kapanır ve böylelikle aşırı ısınma olması önlenir. Böylelikle enerjiden tasarruf edilir.

Enerji tasarrufu modu

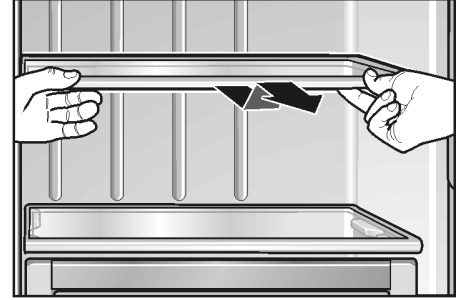
Kapaklar kapandıktan ve kumanda veya gösterge alanında veya buz veya su haznesindeki tuşlara son defa basıldıktan sonra 20 saniye geçtiğinde, kumanda paneli göstergesi enerji tasarruf moduna geçer ve düşük bir aydınlatma gücüyle yanar.

Cihaz tekrar kullanılmaya başladığında, örn. kapı açıldığında veya bir tuşa basıldığında gösterge tekrar normal ışıkla yanmaya başlar.

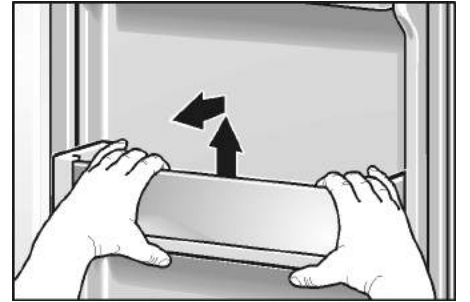
Değiştirilebilir iç dizayn

Cihazın içindeki rafların ve kapı içindeki kapların yerlerini istediğiniz gibi değiştirebilirsiniz:

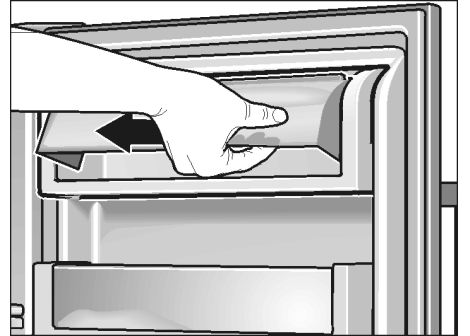
- Rafı öne çekiniz ve dışarı çıkarınız.



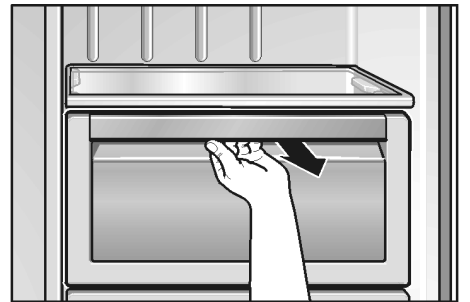
- Kabı yukarı kaldırdınız ve dışarı çıkarınız.



- Tereyağı ve peynir gözlerinin kapağını hafifçe kaldırdınız, sola bastırınız ve çıkarınız.



- Çekmeceleri öne çekiniz, hafifçe kaldırdınız ve çıkarınız.



Soğutucu bölümü

Soğutucu bölümünün sıcaklığı +2 °C ile +8 °C arasında ayarlanabilir. +4 °C ayarlamayı tavsiye ediyoruz.

Soğutma bölümünün kullanılması

Hamur işleri, hazır yemek, konserve, kondanse süt, sert peynir, soğuğa karşı hassas meyve ve sebzeler: Örn. mandalina, muz, ananas, kavun, karpuz, avokado, papaya, egzotik meyveler, patlıcan, olgunlaşması için bekletilecek meyveler, domates, salatalık, yeşil domates ve patates gibi ürünler.

Besinleri yerleştirirken dikkat edilecek noktalar:

- Sıcak yiyecek ve içecekleri dolaba koymadan önce, dışarıda soğumalarını bekleyiniz veya soğutunuz.
- Besinlerin tadlarının bozulmasını ve kurumalarını önlemek için onları hava almayan kaplara koyunuz.
- Cihazın plastik parçalarına ve kapı contasına sıvı ve katı yağ değmemesine özen gösteriniz.
- Alkol oranı yüksek olan sıvı dolu şişeleri iyice kapatarak ve dik olarak buzdolabına koyunuz. Ayrıca, cihazda patlayıcı maddeler muhafaza etmeyiniz. Patlama tehlikesi!

"Süper" soğutma

Soğutucu bölümünde muhafaza edilecek besin veya içeceklerin hızlı soğutulması için kullanılan fonksiyon. Süper soğutmada, soğutucu bölümü mümkün olduğunca soğuk yapılır.

- **Super** tuşuna basınız.

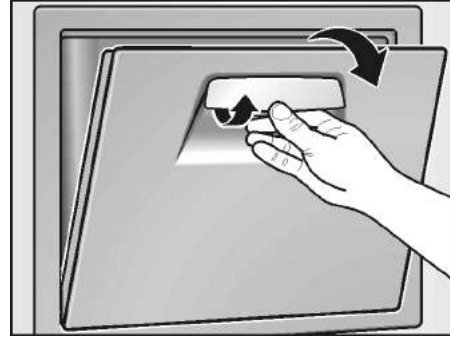


Tuşa her basılmasında bu fonksiyon devreye sokulur ya da devreden çıkarılır. Aktifleştirilmiş "süper" soğutma fonksiyonu, gösterge alanındaki ilgili sembol üzerinden gösterilir.

Bar bölümü

(her modelde değil)

Soğutucu bölümünden içecek vb. besinlerin çabuk alınması için kullanılır. Cihazın kapısını açmak gerekmez.



Taze tutma bölümü

(her modelde değil)

Bu bölmedeki sıcaklık derecesi hemen hemen 0 °C'de tutulur. Bu da, taze besinlerin depolanmasında ideal sıcaklık koşullarının olmasını sağlar.

Besinlerin en iyi şekilde depolanması:

- Seçme tuşu ile ilgili besini (sebze/balık/et) seçiniz.

Seçiminiz, ilgili LED yanarak ve ilgili sıcaklık derecesi göstergede görüntülenerek belli edilir.



Notlar:

- İlgili bölme, "Off" konumunda üst tarafındaki bölme için geçerli olan sıcaklık derecesini üstlenir.
- Gösterilen sıcaklık derecesi bir itibari sıcaklıktır. Taze tutma bölümündeki sıcaklık bundan biraz sapabilir.

Taze tutmak için uygun olmayanlar:

- Soğuk derecelere karşı hassas meyveler ve sebzeler (narenciyeler, avokadolar, papayalar, güney meyveleri, patlıcanlar, salatalıklar, biberler).
- Daha olgunlaşmaya devam edecek meyveler (yeşil domates, muz)
- Patates
- Sert peynir

Besin satın alırken dikkat edilecek hususlar:

Besinlerin dayanma süresi için, "satın alma tazeliği" çok önemlidir. Genel olarak: Besinler taze tutma bölümüne ne kadar taze yerleştirilirse, o kadar uzun süre dayanır. Satın alırken besinlerin tazelik derecesine dikkat ediniz.

Depolama süreleri (0 °C'de):

Başlangıç kalitesine bağlı olarak

Sucuk, dilim et veya sucuk, et, sakatatlar, balık, taze süt, yağsız süzme yoğurt	azami 7 gün
--	----------------

Küçük parça et, kızartma sucuk/sosis, mantar, salata, yaprak sebze	azami 10 gün
--	-----------------

Büyük parça et, hazır yemekler	azami 15 gün
--------------------------------	-----------------

Tütsülenmiş veya salamuralanmış sucuk, lahana	azami 20 gün
---	-----------------

Isıtılmış büyük parça et, siğir eti, av eti, baklagiller	azami 30 gün
--	-----------------

Dondurucu bölümü

Dondurucu bölümünün sıcaklığı -16 °C ile -22 °C arasında ayarlanabilir. -18 °C ayarlamayı tavsiye ediyoruz.

Dondurucu bölümünün kullanımı:

- Derin dondurucuda dondurulmuş besinlerin saklanması için.
- Besin dondurmak için.
- Küp buz oluşturmak için.

Not:

Dondurucu bölümünün kapısının daima kapalı olmasına dikkat ediniz. Kapı açık olduğu zaman, dondurulmuş besinlerin buzu çözülür. Dondurucu bölümü aşırı buz tutar. Ayrıca: Yüksek elektrik tüketiminden dolayı enerji kaybı.

"Süper" dondurma

Süper dondurma fonksiyonu, çok miktarda taze besinin dondurulması için kullanılır ve yerleştirilen taze besin miktarına göre, besinler dondurucu bölmesine konmadan yaklaşık 24 saat kadar önce çalıştırılmalıdır. Süper dondurma fonksiyonunda dondurucu bölmesi mümkün olduğu kadar soğutulur.

- **Super** tuşuna basınız.



Tuşa her basılmasında bu fonksiyon devreye sokulur ya da devreden çıkarılır. Aktifleştirilmiş "süper" dondurma fonksiyonu, gösterge alanındaki ilgili sembol üzerinden gösterilir.

Besinlerin dondurulması ve depolanması

Derin dondurulmuş besinlerin depolanması

Lütfen dondurulmuş besin satın alırken şu noktalara dikkat ediniz:

- Ambalaja dikkat ediniz, ambalaj kusursuz olmalıdır.
- Son kullanma tarihini kontrol ediniz.
- Bu gıda maddelerinin içinde bulunduğu buzlukların sıcaklığı -18°C veya daha da soğuk olmalıdır. Eğer daha sıcaksa, dondurulmuş besinin son kullanma tarihi daha kısa olur.
- Dondurulmuş besinleri alışveriş yaparken en sonunda satın alınız. Dondurulmuş besinleri gazete kağıdına veya belli bir süre soğuk tutan izole poşetlere koyup, mümkün olduğu kadar çabuk eve götürünüz.

- Eve varınca, dondurulmuş besinleri derhal cihazın dondurucu bölmesine yerleştiriniz. Dondurulmuş besinleri son kullanma tarihinden önce tüketiniz.
- Buzu çözülmeye başlamış veya çözülmüş olan bir besinleri tekrar dondurmuyunuz. İstisna: Bu besinlerden yemek yaptıktan (pişirerek veya kızartarak) sonra, hazır yemek şeklinde yeniden dondurabilirsiniz.

Besinleri kendiniz dondurunca

Dondurmak için sadece taze ve iyi besinler kullanınız. Besinlerin tadını kaybetmesini ve kurumasını önlemek için besinleri hava girmeyecek şekilde sarınız veya kaplara yerleştiriniz. Yiyeceklerin vitaminlerini, besin değerlerini, görünümlerini ve tadlarını korumak için mümkün olduğunca hızlı dondurunuz. Maksimum dondurma kapasitesini aşmayınız.

Besinlerin doğru ambalajlanması:

- Besinleri ambalajın içine yerleştiriniz.
- Ambalaj içindeki havayı bastırıp tamamen boşaltınız.
- Ambalajı sızdırmayacak şekilde kapatınız.
- Ambalaj üzerine içindeki besinlerin ismini ve dondurma tarihini yazınız.

Paketlemek için şu malzemeler uygun değildir:

Paketleme kağıdı, parşömen kağıdı, selofan (jelatinli kağıt), çöp torbası ve kullanılmış poşetler.

Paketlemek için şu malzemeler uygundur:

Plastik folyo, polietilenden torba folyo, alüminyum folyo ve dondurmak için uygun kutular. Bu ürünleri ve malzemeleri ilgili alışveriş merkezlerinde bulabilirsiniz.

Paket kapatmak için uygun malzemeler:

Lastik halkalar, plastik klipler, bağlama iplikleri, soğuğa dayanıklı yapışkan bantlar veya benzeri malzemeler.

Polietilenden torba ve hortum folyoları, bir folyo kaynak yapıştırma cihazı ile yapıştırılabilir.

Dondurma kapasitesi

24 saat içinde azami 10 kg besin dondurabilirsiniz.

Dondurulmuş besinleri depolama süresi (son kullanma tarihi)

Depolama süresi, dondurulacak besinin türüne bağlıdır.

Orta sıcaklık ayarında:

Balık, sucuk, hazır yemekler, hamur işleri	6 aya kadar
Peynir, kümes hayvanları, et	8 aya kadar
Sebze, meyve	12 aya kadar

Dondurulmuş besinlerin buzunun çözülmesi

Besinlerin türüne ve kullanım amacına göre, aşağıdaki olanaklardan birini seçmek mümkündür:

- Oda sıcaklığında
- Buz dolabında
- Elektrikli fırında, sıcak hava fanını kullanarak/kullanmadan
- Mikrodalga fırında

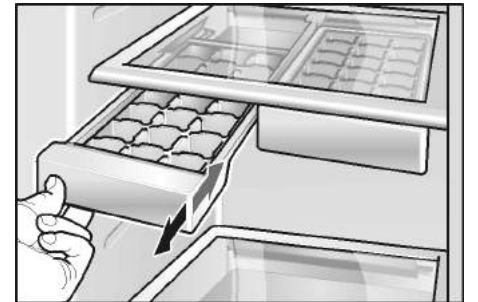
Bilgi

Buzu çözülmeye başlamış veya çözülmüş dondurulmuş besinleri tekrar dondurmuyunuz. Ancak işlendikten sonra (pişirmek veya kızartmak) yeniden dondurulabilir.

Bu durumda ilgili besini son kullanma tarihi dolmadan kullanınız.

Küp buz hazırlanması

(Buz hazırlayıcısı olmayan cihazlar)



- Buz kabının $\frac{3}{4}$ kadar olan kısmını su ile doldurunuz ve dondurucu bölmesine koyunuz.
- Küp buzları buz kabından çıkarmak için, kabı kısa bir süre musluktan akan su altına tutunuz veya biraz sağa sola bükünüz.

Otomatik buz ve su deposu

İhtiyaca göre şunlar alınabilir:

- Soğutulmuş su
- Küp buz
- Parçalanmış buz (crush-ice)

⚠ Uyarı!

Su ve buz almak için kırılabilir kaplar kullanmayınız. Cam kırılması sonucunda yaralanma tehlikesi söz konusudur!

Çıkış deliğine elinizi sokmayınız. Buz kırma bıçağından dolayı yaralanma tehlikesi söz konusudur!

Not:

Buz ve su deposu ancak cihaz su şebekesine bağlı olduğu zaman çalışır.

Yeni cihazın devreye sokulmasında dikkat

Bağlantıların kurulmasından sonra hatlar içinde hava kabarcıkları vardır.

Hava kabarcığı olmayan su gelinceye kadar, içme suyu alıp dökünüz. İlk 5 bardak suyu dökünüz.

Buz hazırlayıcı ilk kez kullanıldığında, ilk 30-40 küp buzu hijyenik sebeplerden dolayı kullanmayınız.

Buz hazırlayıcının kullanılması için bilgiler

Dondurucu bölmesi ayarlanmış sıcaklık derecesine ulaştığında, buz hazırlayıcıya su akar ve içindeki hücreler içinde küp buz olur. Hazırlanan küp buzlar otomatik olarak küp buz kabına dökülür.

Bazen küp buzlar yan taraflardan birbirine yapışık olabilir. Bu küp buzlar, çıkışa sevk edilirlerken çok kez kendiliğinden birbirlerinden ayrılır.

Küp buz kabı dolu olduğu zaman, buz hazırlayıcı otomatik olarak kapanır.

Buz hazırlayıcı 24 saat içinde yaklaşık 100 küp buz hazırlayabilir.

Küp buz kabına hızlı soğuması için şişe veya besin koymayınız. Buz hazırlayıcı bloke olabilir ve zarar görebilir.

Cihazın devreye sokulmasından sonra, ilk küp buz parçaları yaklaşık 24 saat sonra hazırlanış olur.

Küp buz hazırlanırken, su valfinin sesi, suyun buz kabına akması ve küp buz parçalarının aşağı dökülmesi sesleri duyulur.

İçme suyu kalitesi

İçme suyu deposunda kullanılmış olan tüm malzemeler koku ve tad açısından tarafsızdır.

Suyun tadında bir farklılık olursa, bunun sebepleri şu olabilir:

- İçme suyunun mineral ve klor oranı.
- Evin su veya bağlantı hatlarında kullanılmış olan malzemeler.
- İçme suyunun tazeliği (uzun süre su akıtılmamışsa, su "bayatlamış" gibi bir tad alabilir. Bu durumda yaklaşık 15 bardak su alıp dökünüz).

Suyun tadı ve kokusu, ekteki su filtresine takılarak daha iyi yapılabilir.

Ekteki su filtresi sadece giriş suyundaki partikelleri (küçük parçacıkları) süzer, bakterileri veya mikropları değil.

Su alınması

- Sembol yanıncaya kadar, tuşa basınız.



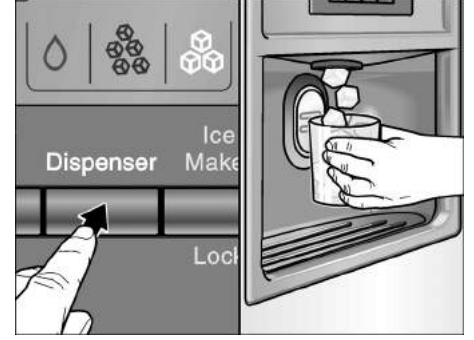
- Bardağı su alma yastığına karşı bastırınız. Bardak yastıktan uzaklaştırılınca, su alma işlemi sona erer.

Yararlı bilgi:

Su deposundan alınan su, içme sıcaklığındadır. Suyun daha soğuk olması isteniyorsa, bardağa su doldurmadan önce, ek olarak buz koyunuz.

Buz alma

- Küp buz veya "crush-ice" sembolü yanıncaya kadar, tuşa basınız.



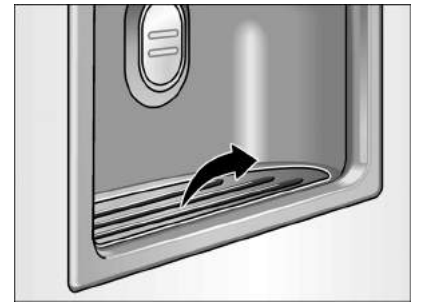
- Uygun bir kabı alma yastığına doğru bastırınız.

Notlar:

- Kap yaklaşık yarıya kadar dolunca, buz alma yastığından uzaklaştırınız. Çıkış kısmında bulunan buz, kabın taşmasına veya çıkışın bloke edilmesine neden olabilir.
- Fonksiyon, küp buz alma modundan parçalanmış buz alma moduna değiştirildikten sonra, buz deposunda henüz bütün küp buz veya küp buz parçaları bulunabilir. Bu parçalar ilk parçalanmış buz (crush-ice) porsiyonları ile verilir.

Su-toplama kabının çıkarılması ve temizlenmesi

Taşan veya dökülen su, su toplama kabı içinde birikir. Boşaltmak ve temizlemek için, su toplama kabı dışarı çekilip çıkarılabilir.



Küp buz kabının dışarı çıkarılması ve temizlenmesi

Uzun süre küp buz alınmadıysa, üretilmiş olan küp buz parçaları küçülür, bayat bir tad alır ve birbirine yapışır.

- Kabı çekip dışarı çıkarınız, boşaltınız ve ılık su ile temizleyiniz.
- Kabı ve sevk helezonunu iyice silip kurulayınız ki, yeni küp buz parçaları donup yapışmasın.

Küp buz kabının yerleştirilmesi

- Küp buz kabını altlık üzerinden, yerine oturuncaya kadar arkaya doğru itiniz.



- Kap tamamen arkaya itilemezse, kabın içindeki sevk helezonunu biraz çeviriniz.

Küp buz üretimi yine çalışmaya başlar.

Küp buz hazırlayıcının devre dışı bırakılması

Muhtemelen 1 haftadan daha uzun bir süre küp buz alınmayacaksa (örn. tatil), küp buz hazırlama sistemi geçici olarak devreden çıkarılmalı ve böylelikle küp buzların birbirine yapışması önlenmelidir.



- "Buz hazırlayıcı" kilitleme tuşuna basınız. İlgili sembol yanar.
- Küp buz kabını dışarı çıkarınız, boşaltınız ve tekrar yerine takınız. Küp buz kabının altlık üzerinde yerine oturmasına dikkat ediniz.

Tekrar devreye sokmak için:

- "Buz hazırlayıcı" kilitleme tuşuna basınız. İlgili sembol söner.

Su filtresi

⚠ Uyarı!

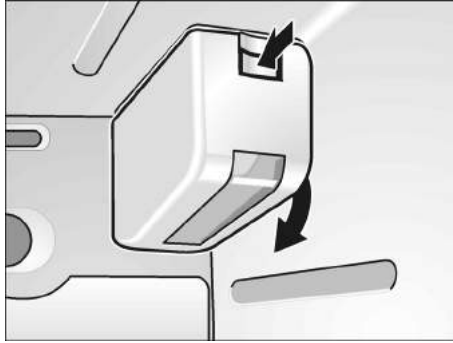
Su kalitesinin sakıncalı olduğu veya yeterince bilinmediği yerlerde cihaz, filtreleme öncesi ve sonrasında uygun dezenfeksiyon işlemi yapılmadan kullanılmamalıdır.

Yeni filtre yetkili servisten temin edilebilir.

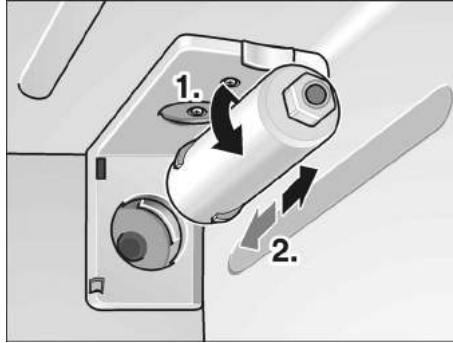
Filtre, her 6 ayda bir veya en geç gösterge ekranında "Filtre değişimi gerekli" görüldüğünde değiştirilmelidir.

Filtre değişimi

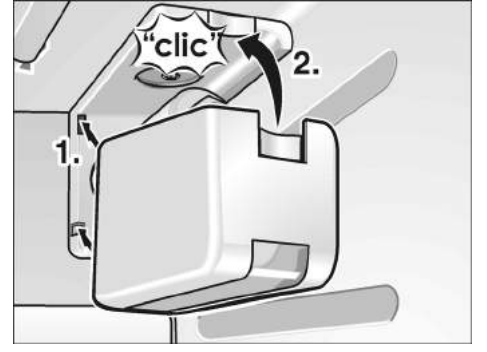
- **Dikkat:** Sigortayı kapatınız veya elektrik fişini çekiniz!
- Cihazda su girişini kapatınız.



- Düğmeye basınız ve kapağı çıkarınız.



- Filtreyi 90° saat dönüş yönünün tersine dikkatlice çeviriniz ve dışarı çekiniz.
- Yeni filtreyi paketinden çıkartınız ve koruma kapağını çıkartınız.
- Yeni filtreyi yuvaya yerleştiriniz ve 90° saat dönüş yönünde dikkatlice çeviriniz.

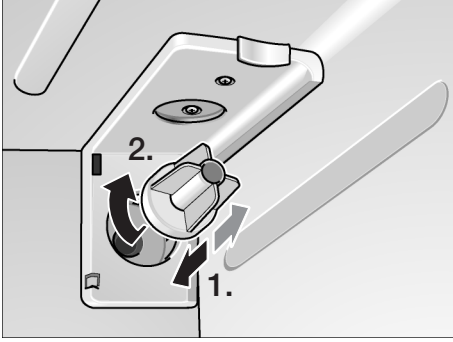


- Kapağı tekrar takınız.

Su filtresi ile ilgili uyarılar

- Su sistemi kullanımdan sonra düşük basınçtır. Filtreyi çıkarırken dikkatli olunuz!
- Eğer cihaz uzun bir süre kullanılmadıysa veya buz ve/veya su garip bir tatta veya kokudaysa, su sistemini iyice yıkayınız. Ayrıca uzun bir süre su sebilinden su akıtınız. Eğer hala garip bir koku varsa, filtreyi değiştiriniz.
- Buzlanmaya karşı koruma. Sıcaklıkların donma noktasının altına düşmesi bekleniyorsa, filtre kartuşlarını çıkarınız.
- Su basıncı 8,6 bar daha yüksek bir değerde ise, su filtresi kurulumunu yapmayınız. Su basıncı 5,5 bar daha yüksek bir değerde ise, basınç düşürme valfi monte edilmelidir. Su basıncı kesin olarak bilinmiyorsa, uzman bir kişi ile irtibata geçiniz.
- Su borusunda basınç kaynaklı darbeler oluşabileceğinden, su filtresi kurulumunu her zaman uygun bir su darbe saptırıcısı ile birlikte yapınız. Su borusunda, su basıncı kaynaklı darbelerin oluşabilme durumundan emin değilseniz, uzman bir kişi ile irtibata geçiniz.
- Yeni bir filtrenin takılmasından sonra: Makinenin açılmasından sonraki ilk 24 saat içerisinde üretilen buzlar atılmalıdır.
- Eğer uzun süre buz çıkartılmaz ise: Buz kabı boşaltılmalı ve sonraki 24 saat içerisinde üretilecek buzlar atılmalıdır.

- Buz makinesi ve su sebili aynı zamanda filtresiz de kullanılabilir. Bu durumda kapatma tapasını yerleştiriniz.



Teknik özellik ve performans veri sayfası



Performans Veri Sayfası CS-451/CS-452 modelleri

Bu sistemler, aşağıda sıralanan maddeleri azaltmak amacıyla NSF/ANSI 42 uyarınca test edilmiştir. Sisteme giren suda bulunan belirtilmiş maddelerin konsantrasyonu, NSF/ANSI 42'ye uygun olarak, sistemden çıkan su için izin verilen sınırdan az veya bu sınıra eşit bir konsantrasyon seviyesine düşürülmüştür.



Sistem, klor tat ve kokusunun azaltılması için NSF International tarafından NSF/ANSI 42 standardına uygun şekilde test edilmiş ve onaylanmıştır.

Kapasite: Yerel şebeke suyu şartlarına bağlı olarak 5700 litre.

NSF testi tarafından belirlenmiş kirletici maddelerin azaltılması

Kirletici maddelerin azaltılması	Ortalama etki	NSF tarafından belirlenen kirletici madde değişim konsantrasyonu	Ort. ürün suyu	Ort. azaltım %'si	NSF azaltım şartları	NSF testi
Klor Tat ve Koku	2,0	2,0 mg/l \pm %10	0,28	86	\geq %50	503821-01

Sadece soğuk su kullanımı için.

Kullanım Kılavuzu / su ikmali parametreleri	
Hizmet debisi	1,9 l/min
Su ikmali	Ortak veya özel kuyu
Su basıncı	0,17 - 0,86 MPa (1,7 - 8,6 bar)
Su derecesi	5 - 38 °C

Belirtilen performansa erişmek için ürün kullanımı, bakımı ve filtre değiştirme konularına dikkat edilmesi önem taşımaktadır. Kartuşları her 6 ayda bir değiştiriniz. Yeni kartuşu 5 dakika su ile çalkalayınız. CS-51 veya CS-52 yedek parça kartuşlarını kullanınız.

Sistemden önce veya sonra, mikrobiyolojik açıdan güvenli olmayan veya uygun dezenfektasyon işleminden geçirilmemiş belirsiz kalitede su kullanmayınız.

Sistemler, üretici tarafından önerilen prosedürlere ve talimatlara uygun şekilde kurulmalı ve çalıştırılmalıdır.

Garanti: Garanti kartına bakınız.

Laboratuar şartlarında uygulanan test ile güncel performans arasında farklılık olabilir.

Hizmet ve parçalar için yerel bayinizle temas kurunuz veya:



Water Group

CUNO Incorporated
400 Research Parkway
Meriden, CT 06450, USA
Dünyanın her yerinden: 203-237-5541
Faks: 203-238-8701
www.cuno.com

Enerji tasarruf bilgileri

- Cihazı serin, iyi havalandırılmış bir odaya kurunuz; doğrudan güneş ışınlarına maruz bırakmayınız ve ısı kaynaklarından (örn. kalorifer, ocak) uzak bir yere kurunuz. Gerekirse bir izolasyon plakası kullanınız.
- Sıcak yiyecek ve içecekleri dolaba koymadan önce, dışarıda soğumalarını bekleyiniz veya soğutunuz.
- Dondurulmuş besinleri, buzlarının çözülmesi için soğutucu bölmesine koyunuz. Böylelikle bu maddelerdeki soğukluğu, soğutma bölümündeki besinlerin soğutulmasında kullanmış olursunuz.
- Kapıyı mümkün olduğu kadar az açık tutunuz!
- Yüksek elektrik tüketimini önlemek için cihazın arka kısmı arada bir temizlenmelidir.

Donanım parçalarının düzeni, cihazın enerji alma veya çekme tutumunu etkilemez.

Çalışma sesleri

Normal sesler

Boğuk horultu – Soğutma makinesi (kompresör) çalışıyor. Hava dolaşım sisteminin ventilatörü çalışıyor.

Fıkırtı, şırıltı ve tınlama sesleri – Soğutma maddesi borulardan akıyor. Buz hazırlayıcıya su akıyor.

Çıtlama – Motor (kompresör) devreye giriyor ve çıkıyor. Su bağlantısındaki manyetik valf açılıyor ya da kapanıyor.

Patırtı sesleri – Hazır küp buz parçaları, küp buz hazırlayıcıdan küp buz kabının içine düşüyor.

Kolay giderilebilecek ses ve gürültüler

Cihaz düzgün durmuyor

Cihazı bir su terazisi yardımı ile düzgün ayarlayınız. Bunun için vidalı ayakları kullanınız veya altına uygun destek koyunuz.

Cihaz etrafındaki ünite bve cihazlara temas ediyor

Cihazı temas ettiği mobilya veya cihazlardan uzaklaştırınız.

Çekmeceler, sepetler veya raflar sallanıyor veya sıkışıyor

Dışarı çıkarılabilen parçaları kontrol ediniz ve gerekirse yeniden takınız.

Kaplar birbirine temas ediyor

Şişeleri veya kapları birbirinden biraz ayırınız.

Cihazın buzunun çözülmesi

Buz çözme işlemi otomatik gerçekleşir.

Buz çözme işleminde oluşan su, buzdolabının içinde arka yüzdeki buharlaşma kabına aşağıya doğru akar ve otomatik olarak buharlaşır.

Cihazın temizlenmesi

- **Dikkat:** Elektrik fişini prizden çekiniz veya sigortayı kapatınız.
- Kapı contasını sadece temiz su ile temizleyiniz ve iyice silip kurulayınız.
- Cihazı deterjanlı ılık su ile temizleyiniz. Temizlik suyu kontrol panosuna veya aydınlatmaya girmemelidir.
- Aşındırıcı, klorür veya asit içeren temizlik maddeleri ve solventler kullanmayınız.

Soğuk cam rafları doğrudan dondurucu bölmesinden çıkarıp, sıcak bulaşık deterjanlı suya sokmayınız.

Raflar ve kaplar kesinlikle bulaşık yıkama makinesinde yıkanmamalıdır. Aksi halde bu parçalar deforme olabilir.

- Temizleme işleminden sonra: Elektrik fişini prize takınız ya da sigortayı açınız.

⚠ Uyarı!

Dondurulmuş besinlere ıslak eller ile dokunmayınız. Elleriniz donmuş besinlere yapışabilir. Yaralanma tehlikesi!

Cihazı kesinlikle bir buharlı temizleyici ile temizlemeyiniz! Buhar, cihazın gerilim altında olan parçalarına gelebilir ve kısa devre oluşmasına veya elektrik çarpmasına yol açabilir. Buhar cihazın plastik yüzeylerine zarar verebilir.

Küçük arızaların giderilmesi

Yetkili servisi çağırmadan önce:

Aşağıdaki talimatların yardımıyla arızayı kendinizin giderip gideremeyeceğinizi kontrol ediniz.

Garanti süresi içerisinde dahi, bu gibi durumlarda servis görevlisinin masraflarının tümünü kendiniz ödemek zorundasınız!

Soğutma ve dondurma bölmesi

Arıza	Muhtemel sebebi	Giderilmesi
Cihaz soğutmuyor. İç aydınlatma çalışmıyor.	Elektrik kesintisi; sigorta kapalı; elektrik fişi prize iyi takılmamış.	Elektrik kesikliği olmadığını kontrol ediniz; sigorta atmamış ve çalışır durumda olmalıdır.
Kompresör sık sık devreye giriş ve uzun süre devrede kalıyor.	Cihaz kapısı sık sık açıldı. Çok miktarda taze besin donduruldu. Hava giriş ve çıkış deliklerinin önü kapanmış.	Cihaz kapısı gereksiz yere açılmamalıdır. Azami dondurma kapasitesi aşılmamalıdır. Engeller giderilmelidir.
Soğutma ya da dondurma bölmesi çok soğuk.	Sıcaklık derecesi çok soğuk ayarlanmış.	Daha sıcak bir derece ayarlayınız. ("Sıcaklık ayarı" bölümüne bakınız).
Dondurulmuş besinler yapışık kalmış.		Dondurulmuş besinleri keskin ve sivri olmayan bir cisim ile yapışmış oldukları yerden çözünüz. Dondurulmuş besinleri yapışmış oldukları yerden çözmek için bıçak veya sivri bir cisim kullanmayınız.
Dondurucu bölümünde kalın bir buz tabakası var.		Cihazın kapısının daima kapalı olmasına dikkat ediniz.
İç aydınlatma çalışmıyor.	Lamba arızalıdır. Lamba şalteri sıkışmış. Cihaz çok uzun süre açık kaldı. Aydınlatma yaklaşık olarak 10 dakika sonra kapanır.	Lambayı değiştiriniz (bkz. "Lamba değişimi"). Işık şalterinin hareket edip etmediğini kontrol ediniz. Cihazın kapısı kapatılıp açıldıktan sonra, aydınlatma tekrar çalışır.
Dondurucu bölümü artık ayarlanmış sıcaklık derecesine ulaşamıyor.	Dondurucu bölümünün kapısı uzun süre açık kaldı. Buharlaştırıcı (kompresör) çok fazla buz tutmuş ve tam otomatik buz çözme sistemi bu buz miktarını eritemiyor.	Dondurulmuş besinleri cihazdan çıkarınız ve iyice izole ederek, serin bir yerde muhafaza ediniz. Yaklaşık 12 saat sonra soğutma sistemindeki buz erimiş olur. Cihazı tekrar açınız ve dondurulmuş besinleri yerleştiriniz. Bilgi! Soğuk kaybı olmasını önlemek için soğutma bölmesinin kapısını gereksiz yere açmayınız. Arıza, yukarıda tarif edilen önlemler ile giderilemezse, kesinlikle yetkili servisi arayınız.

Su ve buz deposu

Arıza	Muhtemel sebebi	Giderilmesi
İşletme süresi uzun olduğu halde, küp buz alınmıyor.	Su musluğu kapalı. Su beslemesinde kesiklik var. Su basıncı çok düşük. Buz hazırlayıcı kilitlemiş. Gösterge alanında sembol yanıyor. Dondurucu bölümü çok sıcak.	Musluğu açınız. Tesisatçıyı arayınız. "Buz hazırlayıcı" kilitleme tuşuna basınız. Dondurucu bölümünün sıcaklık derecesi düşürülmelidir ("Sıcaklık ayarı" bölümüne bakınız).
Küp buzlar küp buz kabının içinde fakat boşaltılmıyor.	Küp buz parçaları birbirine yapışmış.	Küp buz kabını dışarı çıkarınız ve boşaltınız.

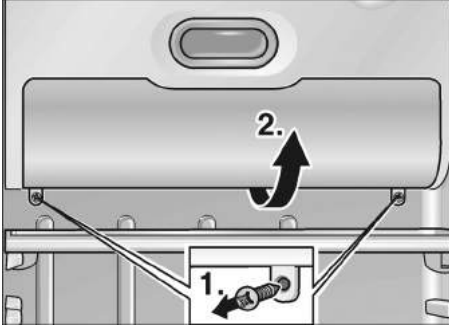
Arıza	Muhtemel sebebi	Giderilmesi
Küp buzlar, küp buz kabının veya buz kırıcının çıkışında sıkışmış.		Küp buz kabını dışarı çıkarınız ve sevk helezonunu elden çeviriniz. Sıkışmış olabilecek buz parçalarını odun çubuk ile çözünüz.
Küp buzlar sulu.	Küp buzlar erimiş. Elektrik kesikliği söz konusu olmuş veya cihazın kapısı doğru kapatılmamış.	Küp buz kabını dışarı çıkarınız, boşaltınız ve silip kurulayınız.
Küp buzlar buharlaşıyor.		Küp buzlar üzerinden geçen soğuk hava, öncelikle küp buzlar az kullanıldığında küp buzların küçülmesine neden olur. Bu normaldir.
Küp buz deposunun kapağı doğru kapanmıyor.	Küp buz parçaları kapağa engel oluyor.	Küp buzları kapaktan uzaklaştırınız.
Küp buz parçaları küp buz kabına yapışıyor.	Suyun içerdiği kireç kap içinde tortulaşabilir.	Bir bezi sirke ile nemlendiriniz ve kapları bu bez ile siliniz. Tortulaşma yoğun ise, kapları soğutucu bölmesini her temizlediğinizde siliniz.
Küp buzların ebatları farklı ve küp buz kabında su var.	Cihaz düz yerleştirilmemiş.	Cihazı su terazisi ve ayarlanabilen tekerlekler ya da vida dişli ayaklar üzerinden düzgün ayarlayınız (kurma kılavuzuna bakınız).
Su deposu çalışmıyor.	Su musluğu kapalı.	Musluğu açınız.
	Su beslemesinde kesiklik var. Su basıncı çok düşük.	Tesisatçıyı arayınız.
	Dondurucu bölmesi çok sıcak.	Dondurucu bölmesinin sıcaklık derecesi düşürülmelidir ("Sıcaklık ayarı" bölümüne bakınız).

Lamba deęiřimi

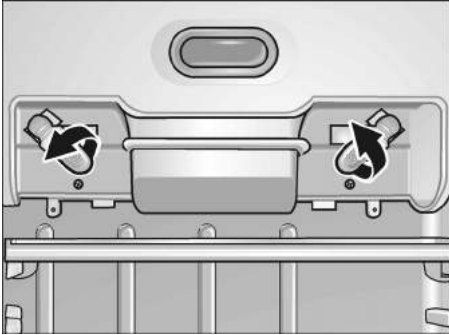
Cihaz içinde kullanılan ampuller, sadece evsel cihazlar için uygundur. Ampuller mekan aydınlatması için uygun deęildir.

İç kısımdaki lambanın deęiřtirilmesi

- **Dikkat:** Elektrik fiřini prizden çıkarınız veya sigortayı kapatınız.
- Kapaęın altındaki 2 civatayı çözünüz ve kapaęı çıkarınız.



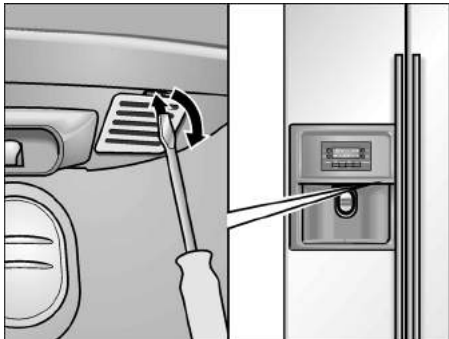
- Lamba deęiřtirilmelidir. Yedek lampa 220-240 V alternatif akım, duy E14, Watt bilgisi bkz. arızalı lampa.



- Kapaęı monte ediniz.

Buz ve su haznesindeki lambanın deęiřtirilmesi

- **Dikkat:** Cereyan fiřini řebeke prizinden çıkarınız veya cihazın baęlı olduęu sigorta üzerinden gerilimi kesiniz!
- Kapaęı tornavida ile kaldırıp çıkarınız.



- Lamba deęiřtirilmelidir. Yedek lampa 220-240 V alternatif akım, duy E14, Watt bilgisi bkz. arızalı lampa.

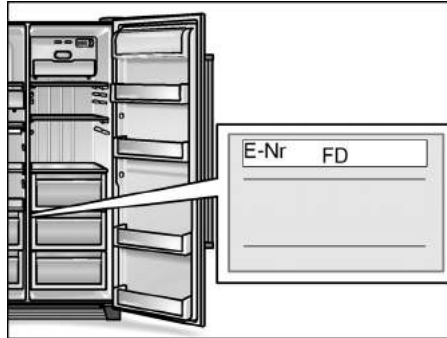


- Kapaęı takınız.

Yetkili servisin çağırılması

Size yakın bir yetkili servisimizi telefon rehberinde veya yetkili servis listesinde bulabilirsiniz. Lütfen yetkili servisimizi çağırduğunuz zaman, cihazın ürün numarasını (E-Nr.) ve imalat numarasını (FD) bildiriniz.

Bu numaraları, tip levhasının üzerinde bulabilirsiniz.



Cihazın ürün numarasını ve imalat numarasını bildirmek suretiyle, gereksiz gidip gelme masraflarını ve zaman kaybını önlemiş olursunuz. Böylelikle ilgili fazla masraflardan tasarruf etmiş olursunuz.

Arızalarda onarım sipariři ve danıřmanlık

Tüm ülkelere ait iletişim bilgilerini, ekteki müşteri hizmetleri dizininden bulabilirsiniz.

TR 444 6333 Çaęrı merkezini sabit hatlardan aramanın bedeli řehir içi ücretlendirmede, cep telefonlarından ise kullanılan tarifeye göre deęişkenlik göstermektedir.

Kullanım Süresi: 10 YIL (Ürünün fonksiyonunu yerine getirebilmesi için gerekli yedek parça bulundurma süresi).

Garanti Şartları

- Malın ayıplı olduęunun anlaşılması durumunda tüketici, 6502 sayılı Tüketicinin Korunması Hakkında Kanununun 11 inci maddesinde yer alan;
 - Sözleşmeden dönme,
 - Satış bedelinden indirim isteme,
 - Ücretsiz onarılmasını isteme,
 - Satılanın ayıpsız bir misli ile deęiřtirilmesini isteme,

haklarından birini kullanabilir.

- Tüketicinin bu haklarından ücretsiz onarım hakkını seçmesi durumunda satıcı; işçilik masrafı, deęiřtirilen parça bedeli ya da başka herhangi bir ad altında hiçbir ücret talep etmeksizin malın onarımını yapmak veya yaptırmakla yükümlüdür. Tüketici ücretsiz onarım hakkını üretici veya ithalatçıya karşı da kullanılabılır. Satıcı, üretici ve ithalatçı tüketicinin bu hakkını kullanmasından müteselsilen sorumludur.

- Tüketicinin, ücretsiz onarım hakkını kullanması halinde malın;
 - Garanti süresi içinde tekrar arızalanması,
 - Tamiri için gereken azami sürenin aşılması,
 - Tamirinin mümkün olmadığının, yetkili servis istasyonu, satıcı, üretici veya ithalatçı tarafından bir raporla belirlenmesi durumlarında;

tüketici malın bedel iadesini, ayıp oranında bedel indirimini veya imkan varsa malın ayıpsız misli ile deęiřtirilmesini satıcıdan talep edilir. Satıcı, tüketicinin talebini reddedemez. Bu talebin yerine getirilmemesi durumunda satıcı, üretici ve ithalatçı müteselsilen sorumludur.

- Malın kullanım kılavuzunda yer alan hususlara aykırı kullanılmasından kaynaklanan arızalar garanti kapsamı dışındadır.
- Tüketici, garantiden doğan haklarının kullanılması ile ilgili olarak çıkabilecek uyuşmazlıklarda yerleşim yerinin bulunduęu veya tüketici işleminin yapıldığı yerdeki Tüketici Hakem Heyetine veya Tüketici Mahkemesine başvurabilir.

Montaj kılavuzu

Önemli not:

Bu kurma kılavuzu farklı modeller için geçerlidir.

Bazı modellerde, burada anlatılan tüm işlem adımları gerekli değildir.

Cihaz sadece yetkili bir uzman tarafından, bu kurma kılavuzuna göre kurulmalı ve bağlanmalıdır.

Su bağlantısı kesinlikle elektrik bağlantısından önce yapılmalıdır.

Yasal öngörülen yönetmeliklerin yanında yerel elektrik ve su işletmelerinin bağlantı koşulları yerine getirilmelidir.

Kurma ve montaj kılavuzunu itinayla muhafaza ediniz.

Kurulum yeri

Dikkat:

Cihaz oldukça ağırdır. Boş ağırlığı için aşağıdaki tabloya bakınız.

Ana modeli	104 kg
Dispenser modeli	113 kg
Homebar modeli	115 kg

Cihazı kuru ve iyi havalandırılmış bir yere kurunuz.

Güneş ışınları doğrudan cihazın kurulacağı yere gelmemeli ve cihaz elektrikli ocak, fırın, soba, kalöriyer vs. gibi sıcaklık oluşturan cisimlerin ve ısı kaynaklarının yanına veya yakınına kurulmamalıdır. Eğer cihazın bir ısı kaynağının yanına kurulması kaçınılmazsa, uygun bir izolasyon plakası kullanınız; ya da ısı kaynağına aşağıda belirtilen asgari mesafelerin olmasına dikkat ediniz.

- Elektrikli fırınlardan 3 cm.
- Gaz yağı ve kömür ocaklarından 30 cm.

Cihazın kurulacağı zemin esnememelidir. Gerekirse zemini takviye ediniz (cihaz çok ağırdır, içi boşken yaklaşık 145 kg, içi doluyken yaklaşık 400 kg olabilir). Buz hazırlayıcının kusursuz çalışabilmesi için, cihaz dik konumda durmalıdır. Cihaz kapılarının sonuna kadar açılabilmesi için, cihaz bir köşeye veya boşluğa kurulacaksa, yan taraflarda olması gereken asgari mesafelere uyulmalıdır (bkz. "Cihazın ve kurulacağı yerin ebatları").

Cihazın ambalajdan çıkarılması

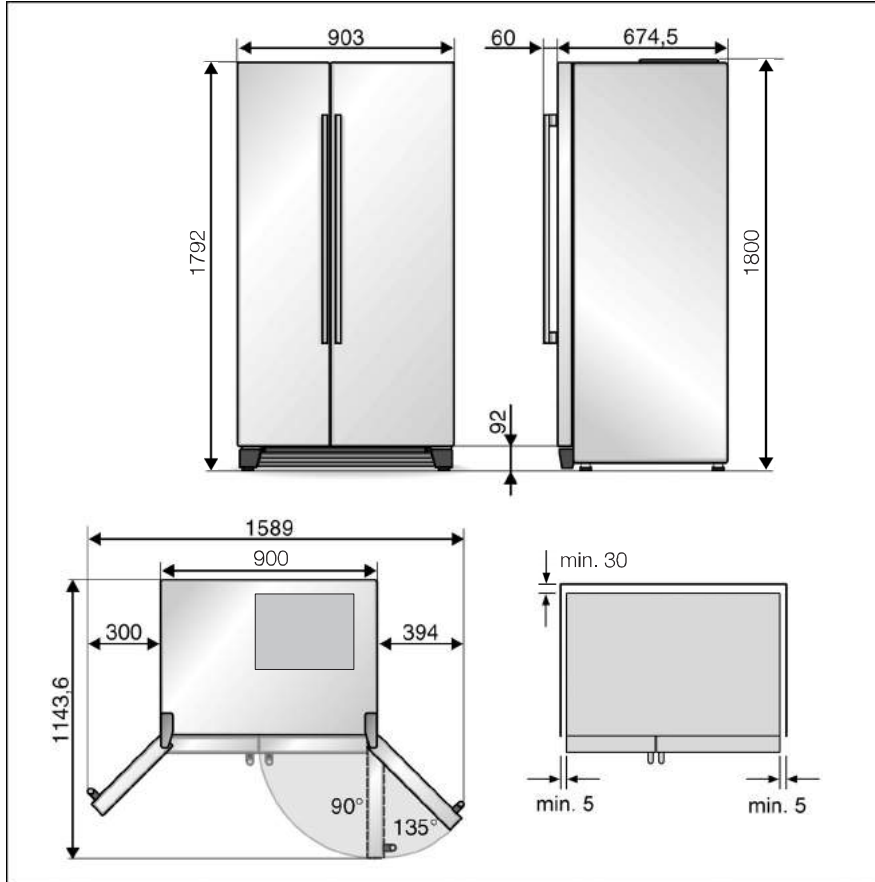
- Ambalaj malzemelerini ve yapışkan bantları sökünüz (Cihaz gövdesinde kalan yapışkan bant artıkları, yapışkan bandın yapışkanlığı tarafı kullanılarak temizlenebilir. Bunun için bandı yapışkan artıkları olan yerin üzerine birkaç kez bastırıp çekiniz).
- Rafların ve kapların taşıma emniyet tertibatını ancak cihazı kurduktan sonra çıkarınız.
- Buz hazırlayıcının transport emniyet tertibatını cihazı kurduktan sonra çıkarınız. Bunun için buz hazırlayıcıyı çekip dışarı çıkarınız.



Dikkat:

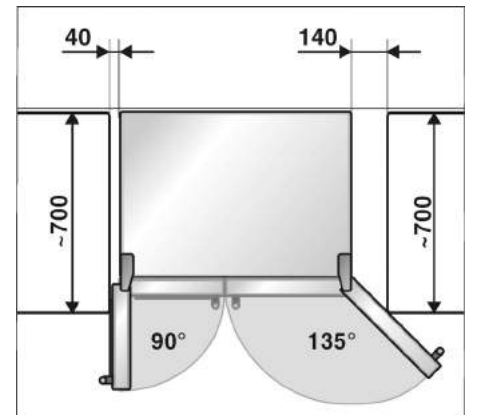
Cihazın elektrik bağlantısını kurmadan önce, cihazın içindeki ve dışındaki tüm ambalaj malzemeleri çıkarılmış olmalıdır.

Cihazın ve kurulacağı yerin ebatları



Cihazın kurulacağı yerin etrafındaki mutfak donanımının derinliği 60 cm'yi aşıyorsa, kapıların açılma açısından tamamen yararlanabilmek için, yan taraflarda asgari mesafeler olmasına dikkat edilmelidir.

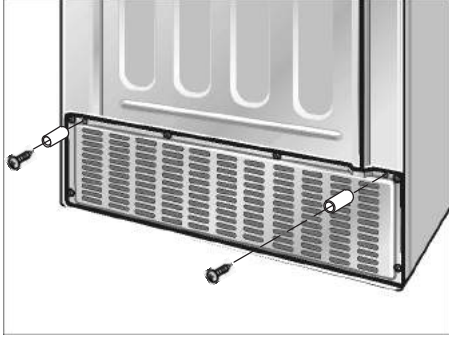
Kapı açılma açısı	Minimum mesafe
90°	40 mm
135°	140 mm



Cihazın üst tarafına bir pano veya başka bir dolap takılacak olursa, gerektiğinde cihazın kurulduğu boşluktan çekilip çıkarılabilmesi için, bir boşluk bırakılmalıdır.

Arka duvara asgari mesafe

- Cihazla birlikte gönderilen mesafe tutucuları, civatalarla cihazın arka tarafında bunlar için öngörölmüş deliklere sabitleyiniz.



Bu sayede duvara olan 30 mm'lik asgari mesafe korunmuş ve hava tahliyesi sağlanmış olur.

Kapıların sökülmesi

Cihaz evin kapısından geçmezse, cihazın kapıları sökülebilir.

Dikkat:

Cihaz kapaklarının sökülmesi gerekiyorsa bu, sadece müşteri hizmetleri tarafından yapılmalıdır. Kapakların sökme işleminin ücretini yetkili müşteri hizmetlerinizden öğrenebilirsiniz.

Cihazın su şebekesine bağlanması

Su bağlantısı sadece yetkili bir tesisatçı tarafından, yerel su işletmesinin kurallarına göre kurulmalıdır.

Cihazı içme suyu şebekesine bağlayınız.

- Asgari basınç: 1,0 bar
- Azami basınç: 8,0 bar

Mevcut su basıncının nasıl kontrol edeceğinizi bilmiyorsanız, bir sıhhi tesisat uzmanına başvurunuz.

Dikkat:

5,5 bar üzerindeki bir su basıncı mevcutsa bir basınç kesme valfi monte edilmelidir, aksi takdirde su hasarları meydana gelebilir. 1,0 bar altındaki su basıncında buz hazırlayıcı çalışmaz.

Ekteki bağlantı hattını bağlamak için kullanılacak su musluğuna kolayca erişilebilmelidir.

Cihaz sadece soğuk su hattına bağlanabilir.

Suyun tadı ve kokusu, ekteki su kartuşunun kurulumuyla iyileştirilebilir. Bu durumda değişen bağlantı koşullarına dikkat ediniz (bkz. Su filtresi bölümü).

Bağlanması

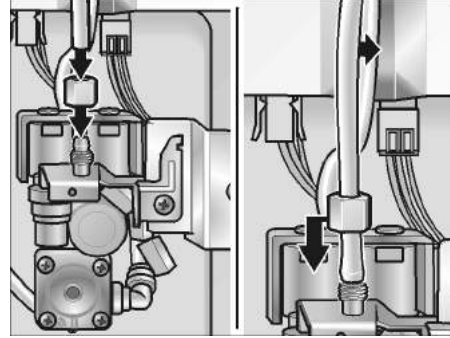
⚠ Dikkat

Sızıntı ve su ile ilgili hasar tehlikesi.

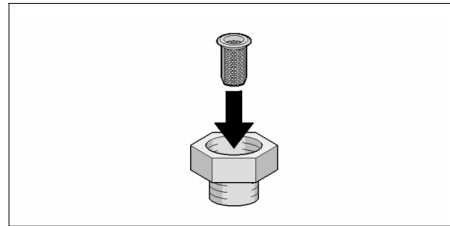
Aşağıdaki noktalara dikkat ediniz:

- Bağlantı hattını bükmeyiniz.
- Bağlantı hattını düz olarak kesiniz.
- Bağlantı hattını pense ile sıkmayınız.
- Vidalı burcu elle sıkınız. Pense kullanmayınız.

1. Bağlantı hattını manyetik valfe bağlayınız.



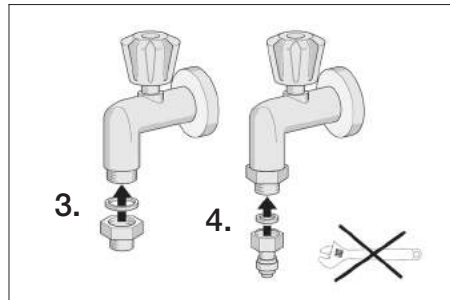
2. Süzgeci redüksiyon parçasına takınız.



Not:

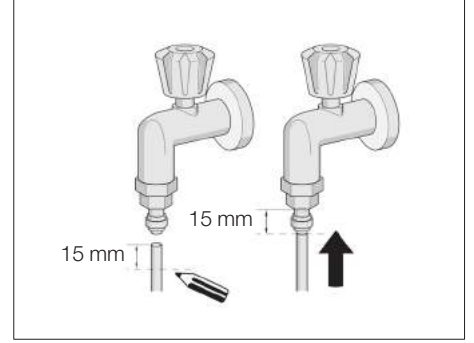
Süzgeç yılda bir defa temizlenmelidir. Su içinde çok fazla partikül varsa süzgeç daha sık temizlenmelidir.

3. Redüksiyon parçası su musluğuna vidalanmalıdır.



4. Vidalı burcu su musluğuna takınız.

5. Bağlantı hattını dayanak noktasına kadar vidalı burca takınız.



- Bağlantı hattı, ekteki kelepçelerle oda duvarına sabitlenebilir.

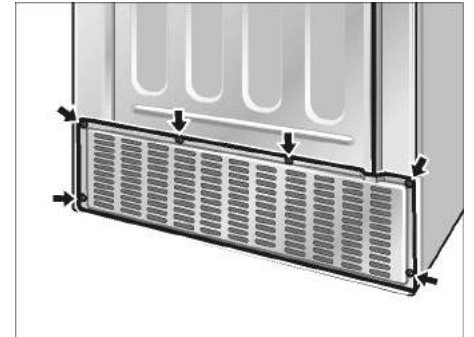
Dikkat:

Asla cihazda delik açmayınız ve cihaza vida takmayınız.

- Bağlantı hattını fiyong şeklinde veya dolayarak toplayınız ki, cihaz duvardan ayrılabilsin.

Su bağlantısının sızdırmazlığının kontrolü

- Cihazı ekteki kullanma kılavuzuna göre çalıştırınız.
- Suyu kullanma kılavuzunda bildirildiği gibi alınız. Henüz hatlarda ve su tankında hava olduğu için, suyun gelmesi birkaç saniye sürebilir.
- Cihazdaki ve su bağlantısındaki tüm vidalı su bağlantılarında sızdırmazlık kontrolü yapınız.
- Kontrolten sonra elektrik fişini tekrar çekip prizden çıkarınız ve motor bölümü kapağını monte ediniz.

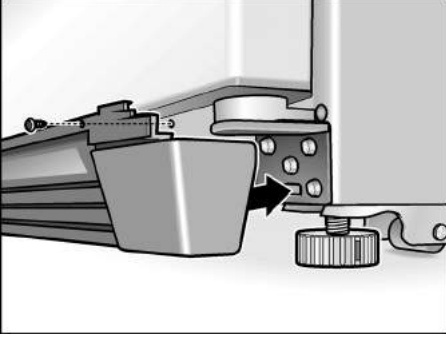


Cihazın düzgün yerleştirilmesi

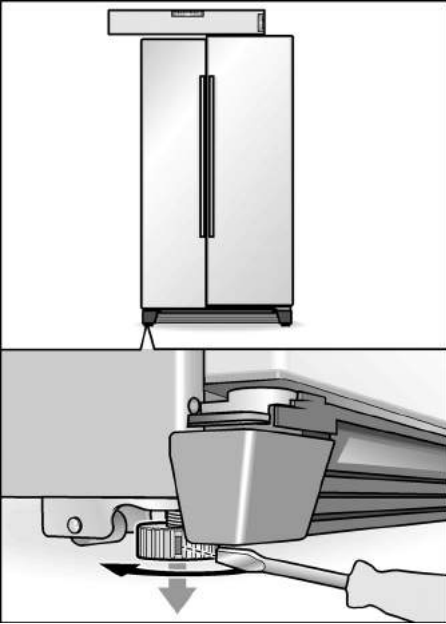
Cihazın kusursuz çalışabilmesi için, su terazisi ile düzgün ayarlanmış olması gerekir.

Cihaz yamuk durursa, buz hazırlayıcıdan su akabilir, farklı ebatlarda küp buz üretilebilir veya kapılar doğru kapanmayabilir.

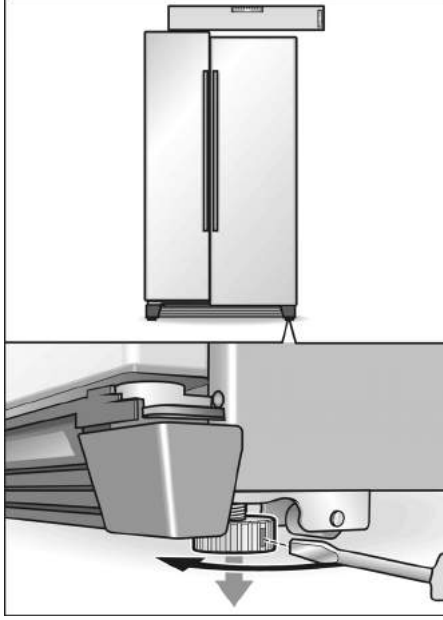
- Cihazı öngörülmiş yere yerleştiriniz.
- Ekteki taban panosunu 3 cıvata ile sabitleyiniz.



- Cihazın yerinden kayıp oynamaması için, öndeki iki ayağı iyice zemine temas edinceye kadar aşağı indiriniz.
 - Cihaz hassas ayarlanıncaya kadar, ayakları çeviriniz. Kapıları referans olarak kullanınız!
- Dondurucu bölmesinin kapısı daha aşağıda:

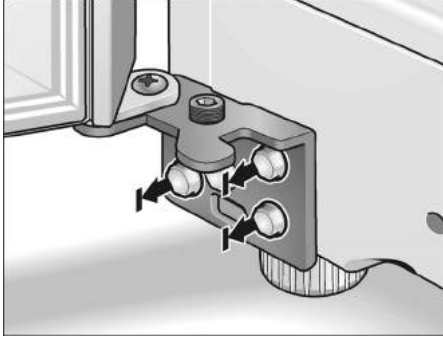


Soğutucu bölmesinin kapısı daha aşağıda:

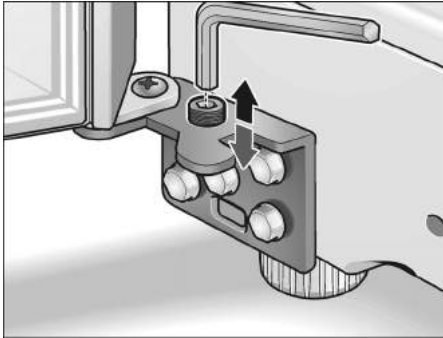


Eğer şimdiye kadar uyguladığınız işlem adımları kapıyı ayarlamaya yetmiyorsa:

- Taban panosunu çıkarınız.



- 3 menteşe civatasını çözünüz. **Cıvataları tamamen söküp çıkarmayınız!**
- Altı köşeli anahtar (alyen anahtarı) ayarlama civatasına takınız:



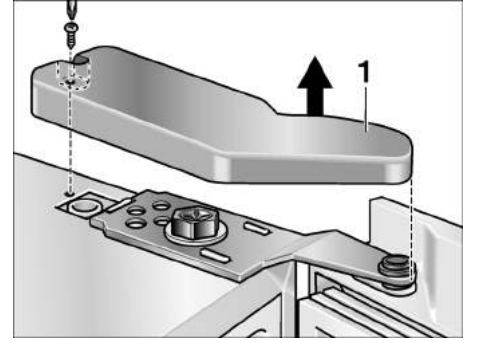
- Bir kapıyı yukarı kaldırmak için: Altı köşeli anahtar (alyen anahtarı) saatin çalışma yönünde çeviriniz.
- Bir kapıyı aşağı indirmek için: Altı köşeli anahtar (alyen anahtarı) saatin çalışma yönünün tersine çeviriniz.

Not:

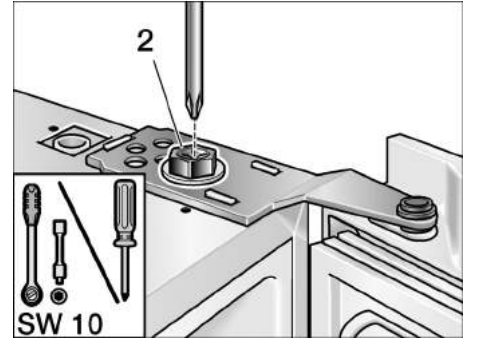
Kapağın kendi ağırlığından ve içine yerleştirilen malzemelerin ağırlığından dolayı, cihaz düzgün dursa bile, soğutucu bölmesinin kapağı eğik durabilir. Kapı aralık mesafesi üstte ve altta farklı.



- Üst menteşe kapağını sökünüz (1).



- Menteşe civatasını çözünüz (2). **Cıvataı tamamen söküp çıkarmayınız!**



- Soğutucu bölmesi kapağının eğikliğini uygun şekilde düzeltiniz.
- Menteşe civatasını sıkınız.
- Menteşe kapaklarını sabitleyiniz.

Cihazın çalıştırılması

Cihazı ekteki çalıştırma kılavuzuna göre çalıştırınız.

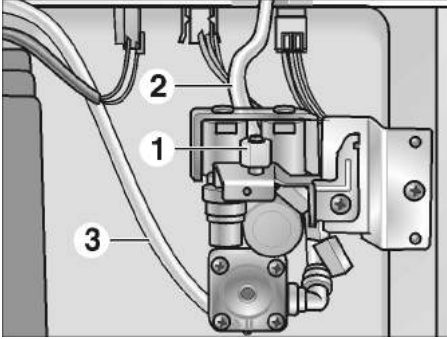
Cihazın tamamen kapatılması

Cihazı ekteki çalıştırma kılavuzuna göre kesiniz.

Cihaz kapalı şekilde veya sıfırın altında bir derecede muhafaza edilecekse, içme suyu deposunun su kabı boşaltılmalıdır.

Cihazın içindeki su kabının boşaltılması

- Cihazın elektrik fişini prizden çıkarınız.
- Cihaza su girişini kapatınız.
- Cihazın arka yüzünden makine bölümü kapağını sökünüz.
- Bağlantı hattını sökünüz (1).
- Yassı su toplama kabını (kapasitesi yaklaşık 3 litre) bağlantı valfinin altına yerleştiriniz.



- Cihazın bağlantı valfindeki hortumları (2 ve 3) sırayla sökünüz, sularını boşaltınız ve tekrar vidalayınız.

Önemli: Hortumların bağlantı yerlerini karıştırmayınız!

- Boşaltma işleminden sonra makine bölümü kapağını monte ediniz.

Su musluğunu ancak cihazı tekrar çalıştırdığınız zaman açınız.

دستگاه را روشن نمائید

با توجه به دستورالعمل های نصب ضمیمه، دستگاه را روشن نمائید.

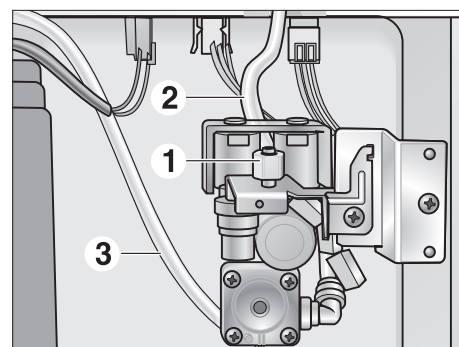
روش قطع اتصال دستگاه

بر طبق دستورالعمل های نصب ضمیمه، اتصال دستگاه را قطع نمائید.

چنانچه برای مدتی طولانی قصد استفاده از دستگاه را نداشته و می خواهید برق آن را قطع سازید و یا دمای محیط محل قرار گرفتن دستگاه زیر نقطه انجماد است، آب داخل مخزن آب آشامیدنی قسمت توزیع آب و یخ را خالی نمائید.

روش تخلیه آب مخزن آب آشامیدنی قسمت توزیع آب و یخ

- دو شاخه دستگاه را از پریز برق بکشید.
- جریان آب دستگاه را قطع کنید.
- درپوش محفظه موتور را از قسمت عقب دستگاه جدا سازید.
- پیچ کابل اتصال را باز کنید (1).
- یک سینی تخت جهت جمع آوری آب (ظرفیت حدود ۳ لیتر) را زیر فلکه اتصال قرار دهید.



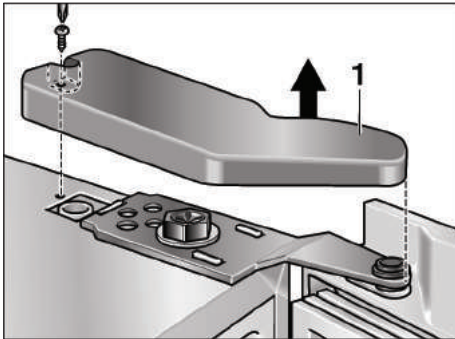
- ابتدا پیچ شلنگ (2) موجود بر روی فلکه اتصال را باز نموده و آب آن را تخلیه نموده سپس همین کار را با شلنگ (3) انجام دهید.
- مهم: اتصالات شلنگ ها را اشتباه نکنید!
- پس از تخلیه آب مخزن، مجدداً درپوش محفظه موتور را وصل نمائید.
- دستگاه را روشن نموده و شیر آب را باز کنید.

توجه:

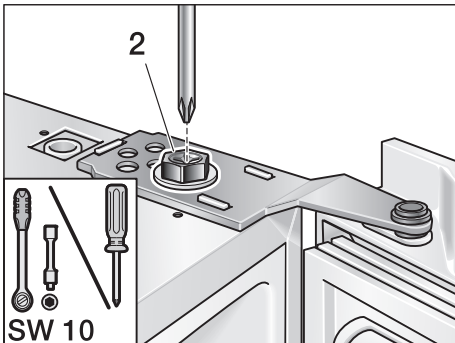
بسته به وزن دستگاه و حجم غذا موجود در داخل درب ها، درب محفظه یخچال ممکن است کمی خم باشد، حتی اگر خود دستگاه تراز است. فاصله درب در بالا و پایین یکسان نیست.



- روکش لولای فوقانی را بردارید (1).

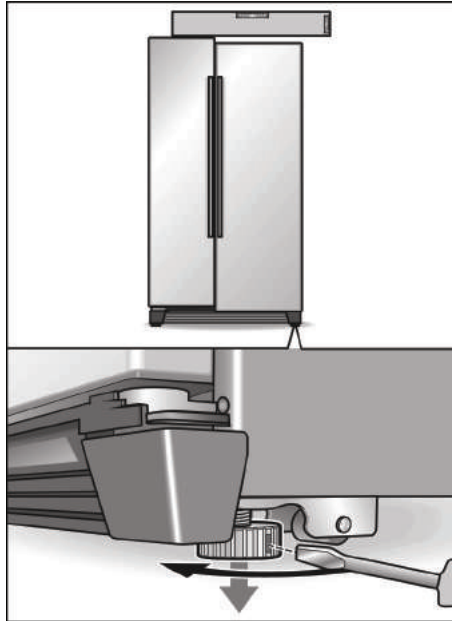


- پیچ های لولا (2) را شل کنید. پیچ را کاملاً باز ننمائید!



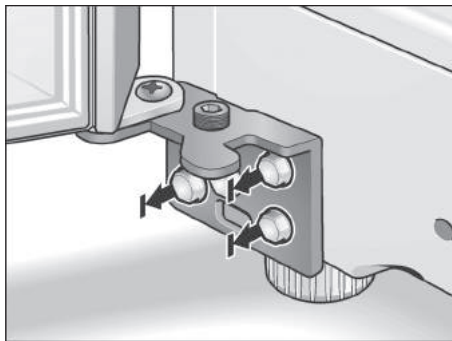
- خم درب یخچال را برطرف ننمائید.
- پیچ های لولا را محکم کنید.
- درپوش را سر جای خود بگذارید.

عمق درب محفظه یخچال بیشتر است:

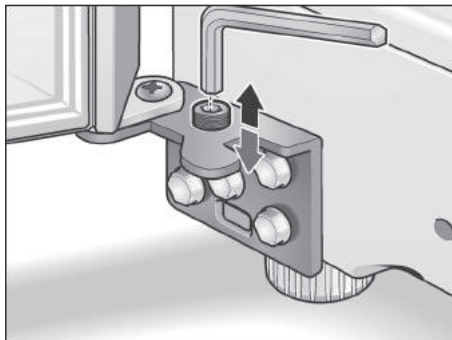


در صورتیکه مراحل قبلی برای تراز نمودن درب ها کافی نبودند:

- صفحه پایه دستگاه را بردارید.



- ۳ عدد از پیچهای لولا را شل کنید. پیچ ها را تا آخر باز نکنید!
- آچار را روی پیچ تنظیم قرار دهید.



- جهت بالا آوردن درب: آچار را در جهت عقربه های ساعت بچرخانید.
- جهت پائین آوردن درب: آچار را در جهت خلاف عقربه های ساعت بچرخانید.

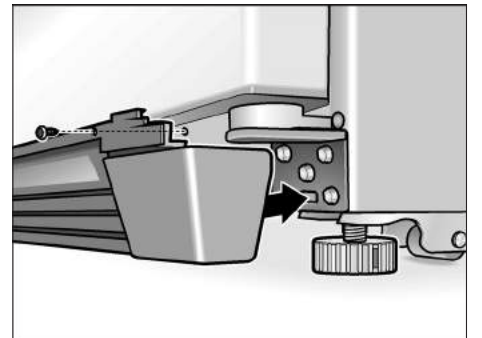
روش تراز نمودن دستگاه

جهت اطمینان از کارکردن دستگاه بطور صحیح، دستگاه باید با یک تراز حبابدار تراز شود.

در صورت تراز نبودن دستگاه، امکان بیرون ریختن آب از دستگاه یخساز، نامتناسب بودن شکل قالب های یخ و یا عدم بسته شدن صحیح درب ها متصور خواهد بود.

- دستگاه را در محل اختصاص یافته قرار دهید.

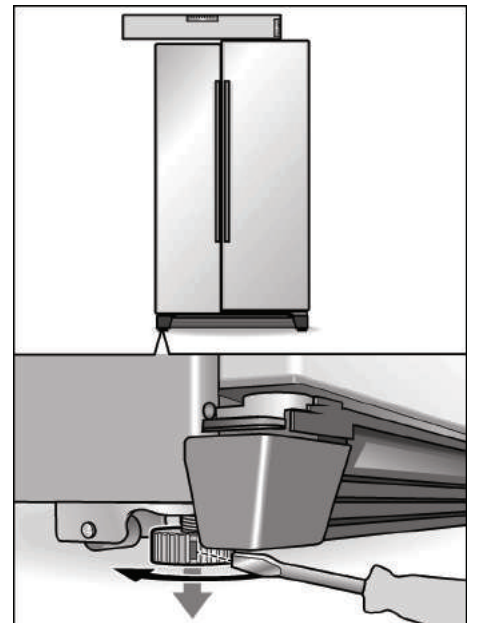
- صفحه پایه همراه دستگاه را با استفاده از ۳ پیچ آن ببندید.



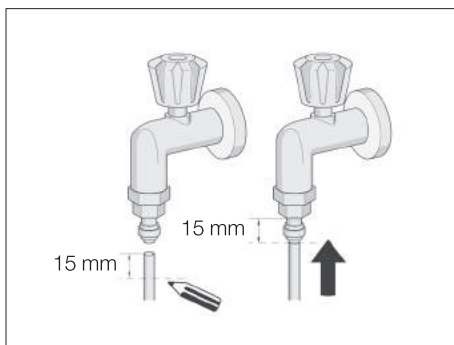
- جهت جلوگیری از حرکت دستگاه به اطراف، پایه های جلو و عقب آن را باز ننمائید تا کاملاً با زمین اتصال تماس داشته باشند.

- پایه جلو و عقب را تا جایی بچرخانید که دستگاه بدرستی تراز شود. از دربهها به عنوان مبنای مقایسه استفاده ننمائید!

عمق درب محفظه فریزر بیشتر است:



۵. لوله اتصال را تا حد امکان در داخل کوپلر فرو نمایید.



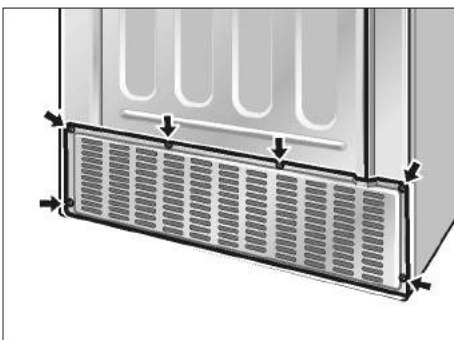
• با استفاده از گیره های ارائه شده به همراه دستگاه امکان محکم نمودن لوله آب بر روی دیوار را خواهید داشت.

احتیاط:

هرگز بدنه دستگاه را سوراخ ننموده و یا در داخل آن پیچ قرار ندهید.
• لوله اتصال را بصورت حلقه یا دایره وار قرار دهید که دستگاه براحتی بتواند از دیوار فاصله پیدا کند.

روش چک کردن اتصال آب از نظر عدم نشت

- با توجه به دستور العمل های نصب ضمیمه، دستگاه را روشن نمائید.
- با توجه به دستور العمل های نصب ضمیمه، جریان آب دستگاه را برقرار نمائید. این عمل بسته به میزان هوای موجود در لوله ها و مخزن آب چند ثانیه طول خواهد کشید.
- کلیه پیچ های روی اتصالات آب را جهت عدم وجود نشتی آب در دستگاه و اتصال آب، چک نمائید.
- پس از چک کردن عدم نشتی، دوباره دوشاخه اصلی را از پریز جدا نموده و روکش محفظه موتور را نصب نمائید.



روش اتصال

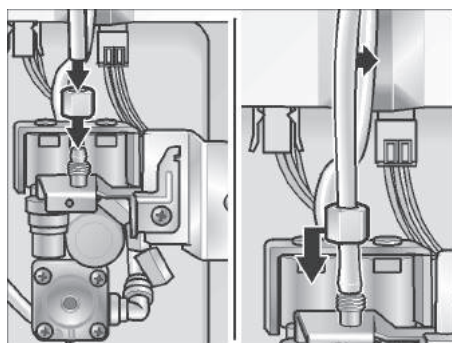
⚠ احتیاط!

خطر نشت آب و خسارت آبدیدگی.

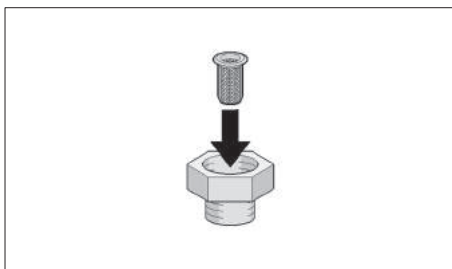
به نکات زیر توجه فرمایید:

- از خم نمودن لوله اتصال خودداری نمایید.
- لوله اتصال را صاف ببرید.
- از تحت فشار قرار دادن لوله اتصال با آچار خودداری کنید.
- کوپلر را با دست محکم نمایید. از آچار استفاده نکنید.

۱. لوله اتصال را به شیر سولنوئید وصل نمایید.



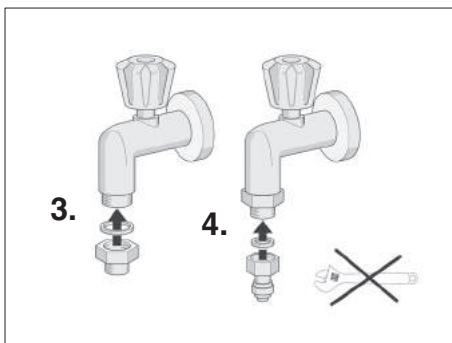
۲. فیلتر را بر روی کاهش دهنده قرار دهید.



توجه:

فیلتر باید با دست تمیز شود. در صورت وجود رسوب زیاد در آب، تعداد دفعات تمیزکاری فیلتر را بیشتر نمایید.

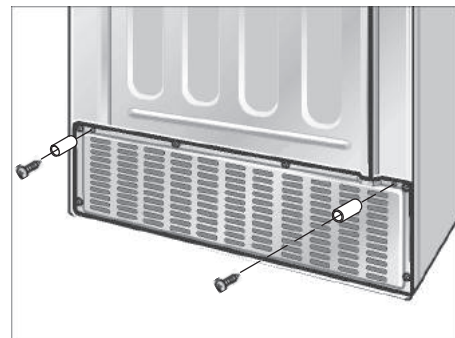
۳. کاهش دهنده را داخل شیر آب بپیچانید.



۴. کوپلر را به شیر آب وصل نمایید.

حداقل فاصله دستگاه از دیوار عقب

• با استفاده از پیچ، صفحه مشبک را بر روی فضای باز موجود در قسمت عقب دستگاه ببندید.



این کار باعث حفظ حداقل فاصله ۳۰ میلیمتری از دیوار پشت گشته و بنابراین تهویه مناسب هوا انجام خواهد پذیرفت.

روش باز کردن درب ها

چنانچه دستگاه از میان درب منزل رد نشود، می توان درب های دستگاه را باز نمود.

احتیاط:

در صورت نیاز به باز نمودن و برداشتن درب های دستگاه، این کار می بایست توسط مرکز خدمات پس از فروش ما انجام پذیرد. مرکز خدمات محلی شما نرخ مصوب برای برداشتن درب را به شما اعلام خواهد نمود.

روش اتصال دستگاه به سیستم تغذیه آب

آب دستگاه تنها با توجه به قوانین اداره آب منطقه ای محل سکونت و بوسیله یک متخصص فنی مجرب، ممکن می باشد.

دستگاه را به لوله تغذیه آب محل استقرار وصل نمایید.

- حداقل فشار آب: ۱/۰ بار

- حداکثر فشار آب: ۸/۰ بار

در صورت عدم اطمینان از نحوه چک کردن فشار آب موجود، با یک شرکت تاسیساتی تماس حاصل فرمایید.

احتیاط

در صورت بالاتر بودن فشار بودن از ۵/۵ بار، یک شیر کاهنده فشار باید نصب گردد. در غیر اینصورت، احتمال خرابی ناشی از فشار آب وجود دارد. چنانچه فشار آب زیر ۱/۰ بار باشد، دستگاه یخساز عمل نخواهد کرد.

شیر آبی که شلنگ اتصال ارائه شده به همراه دستگاه می بایست به آن وصل گردد، باید براحتی در دسترس باشد.

دستگاه می باید فقط به آب سرد متصل گردد.

امکان بهبود طعم و بوی آب با نصب یک کارتریج فیلتر وجود دارد. در صورت استفاده از فیلتر آب، به مختصات متفاوت نحوه اتصال توجه فرمایید (به بخش فیلتر آب رجوع شود).

دستگاه را از داخل بسته بندی خارج سازید

- مواد بسته بندی و نوار چسب را بردارید. (قسمت زائد چسب باقی مانده بروی بدنه داخلی را با می توان با سمت چسب دار نوار کنده شده، بردارید. بدین منظور چندین بار سمت چسب دار نوار را روی زوائد باقی مانده گذاشته و بردارید).
- تا دستگاه نصب نشده است وسایل محافظ حمل و نقل را از طبقات و محفظه های ذخیره سازی غذا بردارید.
- پس از نصب دستگاه، وسایل محافظ حمل و نقل را از دستگاه یخساز جدا نمائید. بدین منظور، دستگاه یخساز را به بیرون بکشید.

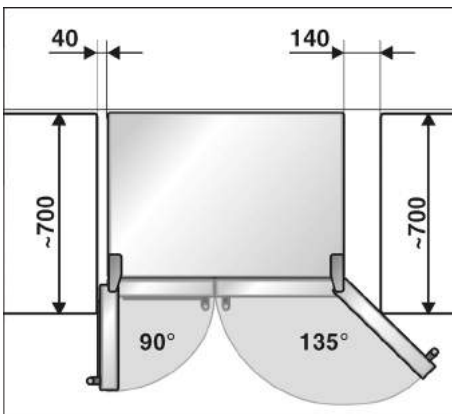


هشدار:

قبل از اتصال سیم برق دستگاه به پریز برق، تمامی مواد بسته بندی را از داخل و خارج دستگاه بردارید.

چنانچه عمق قرار گرفتن وسایل مجاور آشپزخانه بیش از ۶۰ سانتی متر می باشد، جهت استفاده کامل از زاویه باز شدن درب، حداقل فاصله جانبی را در نظر بگیرید.

زاویه باز شدن درب	حداقل فاصله
۹۰°	۴۰ میلیمتر
۱۳۵°	۱۴۰ میلیمتر



چنانچه یک صفحه یا کابینت در قسمت بالای دستگاه نصب شده است، اطمینان حاصل نمائید که فاصله بالایی به صورتی در نظر گرفته شده است که در صورت نیاز می توان دستگاه را از فرورفتگی بیرون کشید.

محل نصب دستگاه

هشدار:

وزن دستگاه بسیار سنگین است. جهت اطلاع از وزن خالص دستگاه، به جدول زیر مراجعه شود.

مدل پایه	۱۰۴ کیلوگرم
مدل دارای قسمت توزیع یخ	۱۱۳ کیلوگرم
مدل های دارای بار خانگی	۱۱۵ کیلوگرم

دستگاه را در محلی خشک و با تهویه مناسب هوا قرار دهید. محل استقرار دستگاه نباید در معرض تابش مستقیم نور خورشید و یا در مجاورت منابع گرما زا همانند اجاق، شوفاژ و امثالهم انتخاب گردد. در صورتیکه نصب دستگاه در کنار منابع گرما زا اجتناب ناپذیر است، از یک صفحه عایق مناسب استفاده نموده و یا حداقل فواصل ذکر شده در زیر را رعایت بفرمائید:

۳ - سانتیمتر تا اجاق الکتریکی.

۳۰ - سانتیمتر تا اجاق نفتی و یا اجاق های دارای سوخت جامد.

کف زمین محل استقرار دستگاه باید محکم باشد. در صورت لزوم، کف زمین را تقویت نمائید (وزن دستگاه بسیار سنگین است، وزن خالی حدود ۱۴۵ کیلوگرم، و وزن پر تا ۴۰۰ کیلوگرم برآورد می گردد). جهت اطمینان از کارکرد صحیح یخساز، می بایست دستگاه بصورت ایستاده قرار گرفته باشد. در هنگام نصب دستگاه در گوشه و یا فرو رفتگی های اتاق و به جهت اطمینان از باز شدن کامل درب های دستگاه، می بایست حداقل فواصل جانبی را مد نظر قرار داده و رعایت نمائید (به بخش «دستگاه و اندازه های مورد نیاز در هنگام نصب» رجوع شود).

دستورالعمل های نصب

توجه مهم:

این دستورالعمل های نصب به مدل های مختلفی اشاره دارند.

اجرای کلیه مراحل برای تمام مدل ها غیر ضروریست.

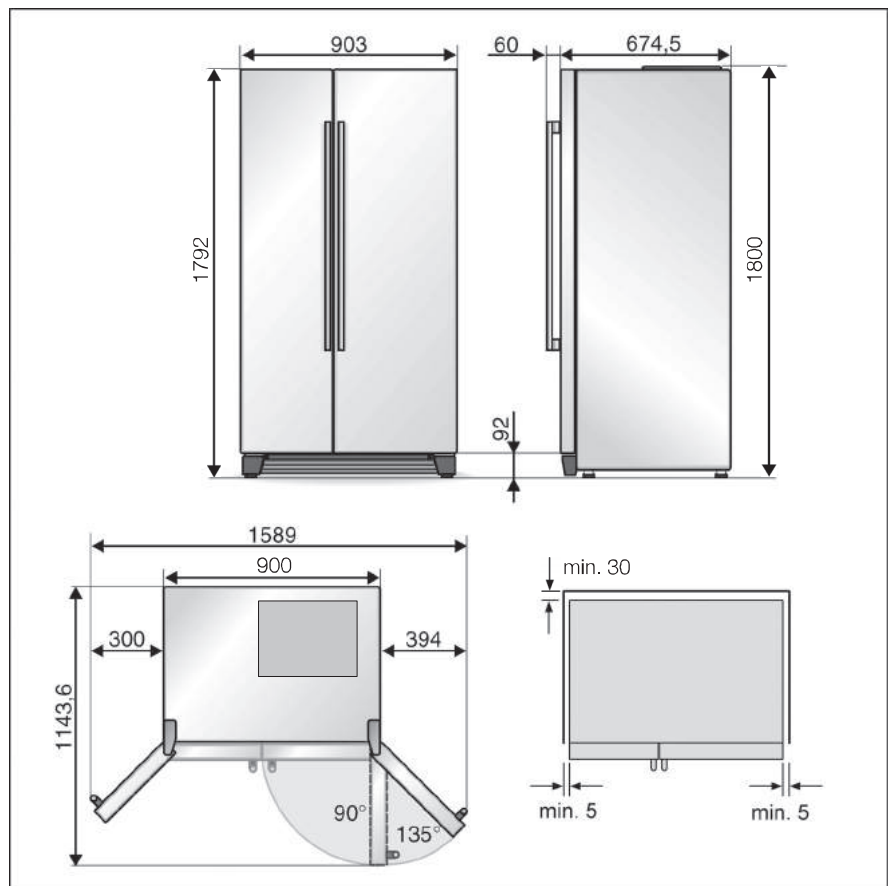
دستگاه را می بایست تنها توسط یک تکنسین مجاز و بر اساس دستورالعمل های مربوطه، نصب و به برق متصل نمائید.

همیشه آب دستگاه را قبل از اتصال آن به برق وصل کنید.

شما می باید علاوه بر رعایت قوانین و مقررات ملی، شرایط خاص شرکت آب و شرکت تامین برق را نیز قبل از اتصال دستگاه، مد نظر قرار دهید.

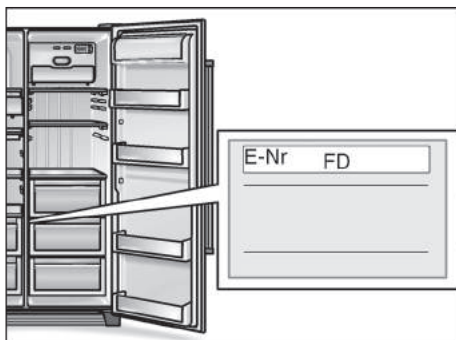
دستورالعمل های نصب را در مکانی مطمئن نگاهداري نمائید.

ابعاد دستگاه و محل نصب



نحوه تماس با سرویس و خدمات مشتریان

مرکز سرویس و خدمات مشتریان منطقه شما را میتوان در راهنمای تلفن یا فهرست مراکز سرویس و خدمات مشتریان یافت. لطفا در هنگام تماس با مرکز سرویس و خدمات مشتریان، شماره سریال (E-Nr) و شماره تولید (FD) را اعلام فرمائید. این گونه اطلاعات را می توان بروی برچسب محصول یافت.



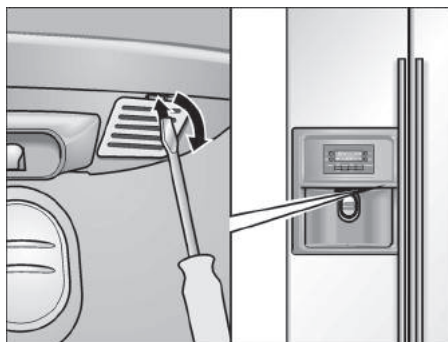
جهت جلوگیری از تماس های غیر ضروری، لطفا شماره سریال و شماره تولید را به ایشان اعلام فرمائید. اینکار باعث صرفه جویی در هزینه های شما خواهد بود.

در صورت بروز ایراد در عملکرد دستگاه، سفارش تعمیر و یا مشاوره را انجام دهید

شما امکان جستجو و پیدا نمودن اطلاعات تماس کلیه مراکز سرویس و خدمات در کشور های مختلف از داخل کتابچه سرویس ضمیمه دستگاه را خواهید داشت.

تعویض چراغ روی مخزن توزیع کننده آب و یخ

- توجه: دوشاخه اصلی دستگاه را از پریز خارج نموده و یا فیوز را قطع نمائید!
- روکش را با یک پیچ گوشتی بلند کنید.



- چراغ را تعویض کنید.
چراغ تعویضی: ۲۲۰-۲۴۰ ولت
جریان متناوب، سوکت E14؛
مقدار وات چراغ معیوب را بررسی کنید.



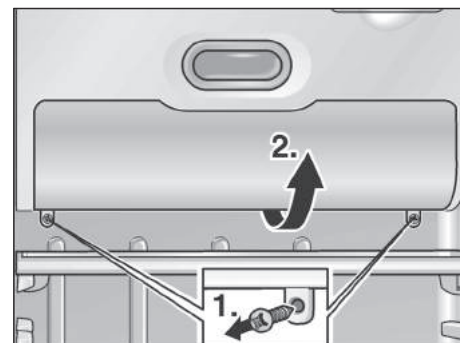
- روکش را وصل نمائید.

تعویض چراغ ها

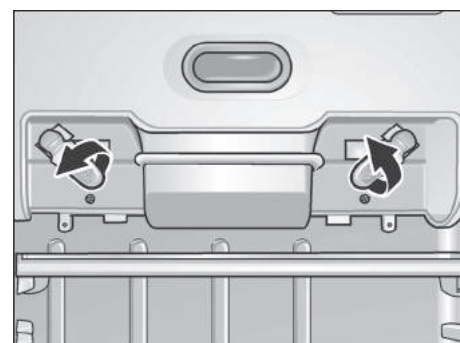
چراغ های کارگذاشته شده در دستگاه تنها برای استفاده در دستگاه های بومی تعبیه شده اند. چراغ ها تنها برای ارائه نور محیط مناسب هستند.

تعویض چراغ داخل دستگاه

- توجه: دوشاخه اصلی را از پریز خارج نموده یا فیوز را قطع کنید!
- ۲ عدد پیچ قسمت زیرین روکش را شل نموده و روکش را بردارید.



- چراغ را تعویض کنید.
چراغ تعویضی: ۲۲۰-۲۴۰ ولت
جریان متناوب، سوکت E14؛
مقدار وات چراغ معیوب را بررسی کنید.



- روکش را وصل نمائید.

عمل برطرف کننده ایراد	دلیل احتمالی	ایراد
محفظه جمع آوری یخ را برداشته و با دست پیچ نقاله را بچرخانید. تمامی تکه های کلفت یخ جمع شده را با یک قاشق چوبی جدا سازید.		قالبهای یخ در خروجی محفظه جمع آوری یخ یا در قسمت یخ خرد شده بهم چسبیده شده اند.
بخساز قالبی را برداشته، خالی نموده و با دستمال خشک کنید.	قالبهای یخ به دلیل - قطع برق یا درست بسته نبودن درب محفظه فریزر آب شده اند.	قالب های یخ آبکی هستند.
جریان هوای سرد بالای قالب های یخ مخصوصا در حالتی که مصرف یخ کم باشد، باعث کهنگی قالب های یخ می شود. این امر طبیعی است.		قالب های یخ در حال تبخیر هستند.
قالب های یخ را بردارید.	قالب های یخ از بسته شدن زبانه ممانعت می کنند.	زبانه روی محفظه توزیع یخ بدرستی بسته نشده است.
یک تکه پارچه را با سرکه مرطوب نموده و سینی ها را با آن پاک کنید. در صورت ضخیم بودن رسوبات، همیشه در زمان تمیزکاری محفظه یخچال، سینی ها را نیز تمیز کنید.	امکان دارد که رسوبات آهکی ناشی از آب در داخل سینی ها شکل بگیرد.	قالب های یخ داخل سینی قالب های یخ می چسبند.
دستگاه را با استفاده یک تراز حباب دار و رولر یا پایه های تنظیم ارتفاع، تراز نمائید (به بخش دستورالعمل های نصب رجوع شود).	دستگاه تراز نیست.	قالب های یخ به یک اندازه نیستند و داخل محفظه جمع آوری یخ، آب وجود دارد.
شیر آب را باز کنید.	شیر آب بسته شده است.	قسمت توزیع آب و یخ کار نمی کند.
از یک لوله کش کمک بخواهید.	جریان آب قطع شده است. فشار آب خیلی کم است.	
دمای محفظه فریزر را کم کنید (به بخش «روش تنظیم دما» رجوع شود).	داخل محفظه فریزر بسیار گرم است.	

رفع ایرادات جزئی توسط خودتان

پیش از اینکه با سرویس خدمات مشتریان تماس بگیرید:

لطفاً چک کنید که آیا بر اساس اطلاعات زیر خودتان می‌توانید عیب را برطرف نمائید. حتی اگر دستگاه هنوز تحت ضمانت قرار داشته باشد، سرویس خدمات مشتریان جهت ارائه مشاوره فنی طلب وجه می‌نماید!

محفظه های یخچال و فریزر

ایراد	دلیل احتمالی	عمل برطرف کننده ایراد
دستگاه توانایی خنک کردن ندارد. چراغ داخلی کار نمی‌کند.	قطع برق: فیوز برق پریده است: دوشاخه اصلی بطور صحیح در داخل پریز برق قرار داده نشده است.	چک کنید که آیا برق وصل است، فیوز باید عملیاتی باشد.
واحد خنک کننده مرتباً و بمدت طولانی روشن می‌شود.	درب دستگاه مرتباً باز می‌شود.	درب را در مواقعی که نیاز نیست باز نکنید.
دمای داخل یخچال یا محفظه فریزر بسیار سرد است.	مقادیر زیادی از غذاهای تازه در حال فریز شدن می‌باشند.	بیش از ظرفیت مجاز، غذا در داخل فریزر قرار ندهید.
اغذیه یخ زده سخت فریز شده اند.	منافذ تهویه مسدود شده اند.	موانع را برطرف کنید.
لایه ضخیمی از یخ داخل محفظه فریزر وجود دارد.	دما در حد بسیار پائینی تنظیم شده است.	دمایی گرمتر را انتخاب نمائید (به بخش «روش تنظیم دما رجوع شود»).
چراغ داخلی کار نمی‌کند.	چراغ معیوب است.	اغذیه یخ زده را با لوازم غیر تیز از هم جدا نمایید. از چاقو یا چیزهای نوکدار استفاده نکنید. همیشه از بسته بودن درب دستگاه مطمئن شوید.
محفظه فریزر به دمای انتخاب شده نمی‌رسد.	کلید لامپ گیر کرده است.	چراغ را تعویض کنید (بخش «تعویض چراغ» را مطالعه کنید). بررسی کنید کلید لامپ قابل حرکت باشد.
	درب دستگاه برای مدت طولانی باز بوده است. چراغ بعد از حدود ۱۰ دقیقه خاموش می‌شود.	چراغ بعد از بستن و بازکردن درب دستگاه دوباره روشن خواهد شد.
	درب محفظه فریزر بمدت طولانی باز مانده است. تبخیر کننده (مولد سرما) با چنان لایه ضخیمی از یخ پوشانده شده است که سیستم یخ زدائی خودکار در مدت کارکرد کامل خود، قادر به آب نمودن این میزان از یخ نمی‌باشد.	اغذیه یخ زده را از داخل دستگاه خارج نموده، بطور کامل پوشانده و در جایی خنک نگهداری نمائید. پس از گذشت حدود ۱۲ ساعت تحت سیستم خنک سازی یخ، آب شده است. دستگاه را دوباره روشن نموده و غذای یخ زده را سر جای خود بگذارید. توجه!
		جهت جلوگیری از اتلاف هوای خنک، درب محفظه یخچال را بیش از حد لزوم باز نکنید. چنانچه با توجه به اطلاعات بالا قادر به رفع عیب نمی‌باشید، لطفاً با مرکز سرویس و خدمات مشتریان تماس بگیرید.

قسمت توزیع آب و یخ

ایراد	دلیل احتمالی	عمل برطرف کننده ایراد
علیرغم گذشت مدت زمان طولانی از راه اندازی، قالبهای یخ توزیع نشده اند.	شیر آب بسته شده است.	شیر آب را باز کنید.
	جریان آب قطع شده است. فشار آب خیلی کم است.	از یک لوله کش کمک بخواهید.
	دستگاه یخساز قفل شده است. سمبل روی صفحه نمایشگر روشن شده است.	دکمه قفل «دستگاه یخساز» را فشار دهید.
	داخل محفظه فریزر بسیار گرم است.	دمای محفظه فریزر را کم کنید (به بخش «روش تنظیم دما» رجوع شود).
قالبهای یخ داخل محفظه جمع آوری یخ وجود دارند اما توزیع نمی‌شوند.	قالبهای یخ به یکدیگر چسبیده اند.	محفظه جمع آوری یخ را برداشته و خالی نمائید.

یخ زدائی

یخ زدائی بطور اتوماتیک فعال می شود.

آبی که در مدت یخ زدایی تولید می شود داخل سینی تبخیر صفحه پشت یخچال می ریزد و بطور اتوماتیک تبخیر می شود.

روش تمیز کردن دستگاه

- **توجه:** دوشاخه اصلی را از پریز خارج نموده یا فیوز را قطع کنید!
- لاستیک دور درب را فقط با آب کاملاً پاک نموده و سپس کاملاً خشک نمائید.
- دستگاه را با آب ولرم تمیز نمائید. آب شستشو نباید بر روی لاستیک دور درب یا لامپ بریزد.
- در صورت بروز ایراد در عملکرد دستگاه، سفارش تعمیر و یا مشاوره را انجام دهید
- طبقات شیشه ای خنک را مستقیماً از محفظه یخچال داخل آب داغ قرار ندهید.
- هرگز طبقات و محفظه ها را داخل ظرفشویی تمیز نکنید. ممکن است برخی قسمتها تغییر حالت دهند.
- پس از تمیزکاری: دوشاخه اصلی را به برق متصل نموده یا فیوز را وصل کنید.

⚠ هشدار!

هرگز اغذیه یخ زده را با دست مرطوب لمس نکنید. دستان شما به یخ اغذیه خواهد چسبید. خطر بروز جراحت!

هرگز از یک تمیز کننده دارای بخار جهت تمیز کردن دستگاه استفاده نفرمائید. احتمال نفوذ و تماس بخار با اجزای برق دار و ایجاد اتصالی و یا برق گرفتگی متصور است. ممکن است بخار به سطوح پلاستیکی صدمه وارد نماید.

روش صرفه جوئی در مصرف برق

صدا های طبیعی

سر و صدا همهمه مانند - واحد خنک کننده در حال کارکرد است. فن قسمت گردش هوا در حال کار می باشد.

قل قل کردن، شرشر کردن یا قرقر کردن - خنک کننده در لوله ها جریان می یابد. آب داخل یخساز جریان می یابد.

صدای کلیک مانند - موتور روشن یا خاموش می شود. - شیر سولنوئیدی واقع بروی اتصال آب، باز یا بسته می شود.

صدای کشیده و دنباله دار - یخهای آماده شده از یخساز داخل ظرف جمع آوری یخ ریخته می شود.

صداهایی که براحتی رفع می شود

دستگاه تراز نیست

صاف قرار داشتن دستگاه را با یک تراز جابجاری بسنجید. از پایه های قابل تنظیم ارتفاع استفاده نموده یا چیزی زیر پایه ها قرار دهید.

دستگاه از وسایل یا دستگاههای مجاور تاثیر می پذیرد.

لطفاً دستگاه را از وسایل یا دستگاههای مجاور دور نمائید.

کشوها، سبدها یا محفظه های ذخیره سازی شل شده یا چسبیده اند

لطفاً قسمت‌های جداشدنی را بررسی نموده و، در صورت نیاز، آنها را دوباره نصب کنید.

ظرفها به یکدیگر چسبیده اند

لطفاً بطری ها یا ظرف ها را از یکدیگر جدا سازید.

روش صرفه جوئی در مصرف برق

- دستگاه را در یک محل خنک و دارای تهویه مناسب قرار داده، لیکن در زیر نور مستقیم خورشید و نزدیک منابع گرمازا (همچون شوفاژ، چراغ خوراک پزی، و غیره) قرار ندهید. در صورت نیاز، از یک صفحه عایق استفاده نمائید.

- اجازه دهید غذا و نوشیدنیهای گرم پیش از قرار گرفتن در یخچال خنک شوند!

- هنگام باز شدن یخ ماده غذایی یخ زده، آن را داخل محفظه یخچال قرار دهید. دمای پایین فرآورده های یخ زده غذایی درون یخچال را خنک می کند.

- تا حد امکان در را کمتر باز و بسته کنید. صدا های حین عملکرد دستگاه.

- از محلول های پاک کننده سایشی، اسیدی و یا دارای کلرین استفاده نشود.

ترتیب قرار گرفتن ضمام بر روی میزان انرژی دستگاه تاثیر گذار نمی باشد.

اطلاعاتی در مورد فیلتر آب

- پس از استفاده، کارکرد سیستم آب تابع فشار پائین شبکه است. هنگام برداشتن فیلتر با احتیاط عمل کنید.

- در صورتیکه دستگاه به مدت طولانی مورد استفاده قرار نگرفته باشد، یا یخ یا آب دارای مزه یا بوی نامطلوب باشد، اجازه دهید آب در کل سیستم آب دستگاه جریان یابد.

- در این صورت، با دریافت آب به مدت چند دقیقه، جریان آب را در داخل محفظه توزیع آب برقرار نماند. در صورت باقی ماندن مزه یا بوی نامطلوب، فیلتر را تعویض نمایید.

- در برابر یخ زدگی محافظت نمایید. در صورت احتمال کاهش دما به حد پائینتر از نقطه انجماد، کارتریج فیلتر را خارج نماند. در صورتیکه فشار آب بالاتر از ۸/۶ بار می باشد فیلتر آب را نصب نکنید. در صورتیکه

فشار آب بالاتر از ۵/۵ بار می باشد، باید یک شیر کاهنده فشار نصب شود. چنانچه مطمئن نیستید که فشار آب چه اندازه می باشد، با یک کارشناس نصب تماس حاصل نمائید.

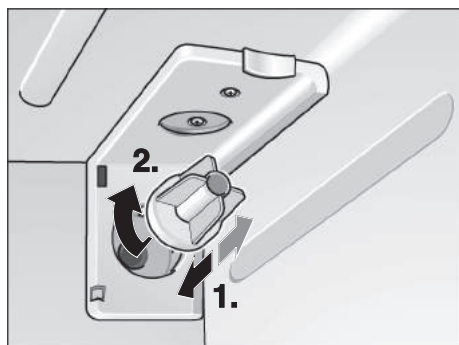
- در صورت احتمال بروز نوسان فشار داخل لوله آب، فیلتر آب را بدون استفاده از برطرف کننده مناسب نوسان نصب نکنید. در صورت مطمئن نبودن از بروز نوسان فشار داخل لوله آب با یک کارشناس نصب تماس حاصل نمائید.

- پس از نصب یک فیلتر جدید: تمامی یخهایی را که در ۲۴ ساعت اول پس از روشن شدن دستگاه تولید شده اند دور بریزید.

- در صورتی که برای مدتی طولانی هیچ یخی خارج نشده است: ظرف مخصوص جمع آوری یخ را خالی نموده و تمامی یخهایی را

که تا ۲۴ ساعت بعد تولید خواهند شد را دور بریزید.

- امکان استفاده از قسمت توزیع آب و یخ بدون وجود فیلتر نیز وجود دارد. در چنین حالتی درپوش قفل شدنی باید مورد استفاده قرار گیرد.



برگ اطلاعات مشخصات و خروجی دستگاه

برگ اطلاعات عملکرد
مدلهای CS-451/CS-452

CUNOCS
COFFEE • TEA • WATER • VENDING

این سیستم ها از جهت کاهش میزان مواد لیست شده زیر و بر اساس استاندارد شماره ۴۲ NSF/ANSI مورد تست و آزمایش قرار گرفته اند.

غلظت مواد مشخص شده در داخل آب ورودی به سیستم بمیزان مساوی یا کمتر از حد مجاز غلظت مشخص شده آب خروجی سیستم که بر اساس استاندارد شماره ۴۲ NSF/ANSI تعریف گشته، در نظر گرفته شده است.

این سیستم توسط مرکز بین المللی ان اس اف و بر طبق استاندارد شماره ۴۲ NSF/ANSI در خصوص میزان بو و مزه کلرین مورد آزمایش و گواهی قرار گرفته است.



ظرفیت: ۵۷۰۰ لیتر بسته به شرایط آب محل.

کاهش آلاینده ها توسط ان اس اف تعیین شده است

کاهش آلاینده ها	میزان متوسط مایعات درون ریز	میزان متوسط مایعات درون ریز مشخص شده توسط ان اس اف، میزان غلظت را مورد اعتراض قرار می دهد	میزان متوسط آب دستگاه	متوسط درصد کاهش	الزامات مورد نیاز ان اس اف در خصوص کاهش	آزمایش ان اس اف
مزه و بوی کلرین	۲/۰	۲/۰ میلی گرم بر لیتر ± ۱۰٪	۰/۲۸	۸۶	≤ ۵۰٪	503821-01

تنها برای استفاده با آب سرد.

بمنظور استفاده بهینه و مطابق آگهی انجام شده از این دستگاه، در نظر گرفتن و اجرای الزامات عملکردی، تعمیراتی و تعویض بموقع فیلتر ضروری می باشد. هر شش ماه کارتریج ها را تعویض نمایید. جریان آب را بمدت ۵ دقیقه در کارتریج جدید جاری سازید. جهت جایگزینی از کارتریج های شماره CS-51 و یا CS-52 استفاده فرمائید.

راهنمای استفاده / پارامترهای تغذیه آب	راهنمای استفاده / پارامترهای تغذیه آب
روند سرویس	۱/۹ لیتر/دقیقه
تغذیه آب	جریان آب عمومی یا خصوصی
فشار آب	۰/۱۷ - ۰/۸۶ ام پی ای (۱/۷ - ۸/۶ بار)
دمای آب	۵ تا ۳۸ درجه سانتیگراد

از استعمال قبل یا بعد این سیستم با آبی که از لحاظ میکروبیولوژیک نامطمئن بوده و یا آبی که کیفیت آن نامشخص می باشد و هنوز ضد عفونی نگردیده است، خودداری فرمائید.

انجام مراحل نصب و استفاده از سیستم ها می بایست بر اساس دستورالعمل و روش های توصیه شده شرکت سازنده انجام پذیرد.

شرایط ضمانت: کارت ضمانت را ملاحظه کنید.

بمنظور دریافت سرویس و قطعات یدکی با نمایندگی محلی شرکت تماس حاصل فرمائید و یا:

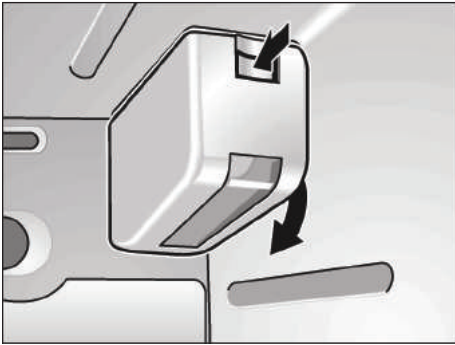
به این نکته توجه داشته باشید که آزمایشات در محیط استاندارد لابراتوار انجام گرفته اند و ممکن است نتایج عملکرد واقعی متفاوت باشد.



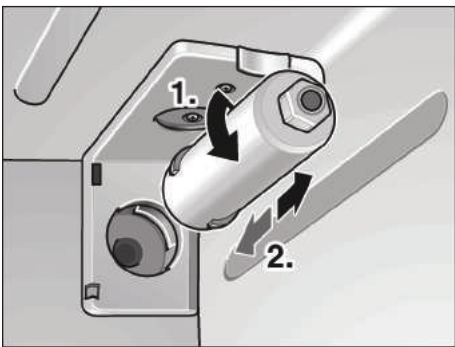
CUNO Incorporated
400 Research Parkway
Meriden, CT 06450, USA
Worldwide: 203-237-5541
Fax: 203-238-8701
www.cuno.com

روش تعویض فیلتر

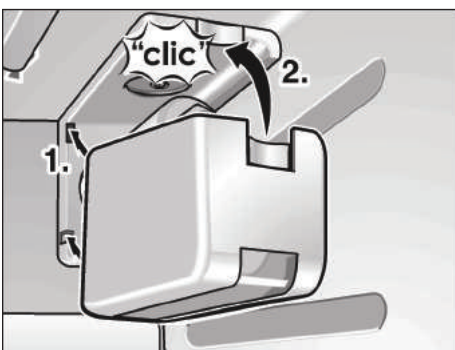
- احتیاط: دستگاه را از برق کشیده و یا فیوز را قطع نمائید.
- جریان آب دستگاه را قطع نمائید.



- شستی را فشرده و درپوش را بردارید.



- فیلتر را با دقت ۹۰ درجه در خلاف جهت عقربه های ساعت چرخانده، و آن را بیرون بکشید.
- فیلتر جدید را از داخل بسته بندی آن خارج نموده و درپوش محافظ را بردارید.
- فیلتر جدید را داخل نگهدارنده قرار داده، و با دقت ۹۰ درجه در جهت عقربه های ساعت بچرخانید.



- درپوش را در جای خود محکم نمائید.

روش قطع کردن دستگاه یخساز

چنانچه برای مدتی طولانی مثلاً بیش از یک هفته نیاز به قالب یخ ندارید، جهت جلوگیری از ساخت یخ و چسبندگی آن ها به یکدیگر، دستگاه یخساز را بطور موقت قطع کنید.



- دکمه قفل «دستگاه یخساز» را فشار دهید. سمبل مرتبط روشن می گردد.
- ظرف مخصوص قالب یخ را خارج کرده و پس از تخلیه مجدداً جایگذاری نمائید. مطمئن شوید که ظرف مخصوص قالب یخ در داخل نگه دارنده خود قرار دارد. مجدداً دستگاه یخساز را روشن کنید:
- دکمه قفل «دستگاه یخساز» را فشار دهید. سمبل خاموش می شود.

فیلتر آب

⚠ هشدار

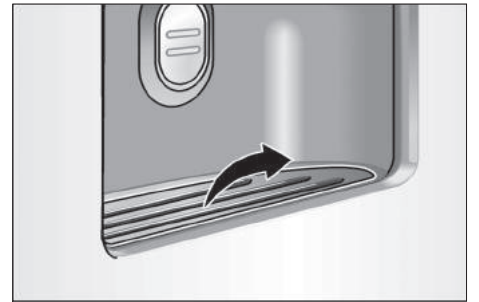
در محلهایی که کیفیت آب مشکوک و یا ناشناخته می باشد، از دستگاه بدون ضدعفونی، مناسب آب قبل و یا بعد از تصفیه استفاده نفرمائید.

فیلتر جدید را می توانید از خدمات پس از فروش تهیه نمائید.

حداقل هر شش ماه یکبار و یا در نهایت، زمانی که عبارت «نیاز به تعویض فیلتر» بر روی نمایشگر نشان داده شد، فیلتر را تعویض نمائید.

روش تخلیه و تمیز کردن سینی جمع آوری آب

قطرات آب بیرون پاشیده از لیوان، در داخل سینی جمع آوری آب گرد می آیند. با بیرون آوردن سینی جمع آوری آب، امکان تخلیه و تمیز کردن آن وجود خواهد داشت.



روش خارج کردن و تمیز کردن ظرف مخصوص قالب های یخ

چنانچه بمدت طولانی یخ از قسمت توزیع دریافت نشود، قالب های یخ حالت کهنگی پیدا نموده، طعم ماندگی گرفته و بهم می چسبند.

- ظرف را بیرون کشیده، خالی نموده و سپس با آب ولرم بشوئید.
- ظرف را کاملاً خشک کرده و آنگاه جهت جلوگیری از چسبندگی قالب های یخ به یکدیگر، پیچ نقاله یخ را بپیچانید.

ظرف مخصوص قالب های یخ در جای خود قرار دهید

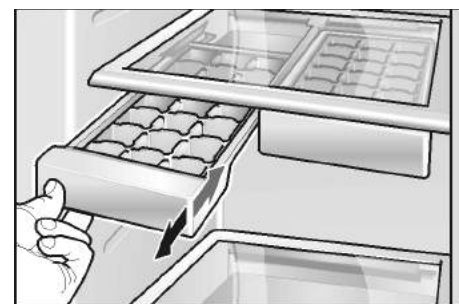
- ظرف مخصوص قالب های یخ را به سمت عقب و بروی نگه دارنده آن فشار دهید تا در جای خود قفل شود.



- اگر ظرف را نمیتوانید به سمت عقب فشار دهید، پیچ نقاله یخ را بپیچانید.
- در این حال کار یخساز ادامه می یابد.

روش ساخت قالب های یخ

(دستگاه های فاقد دستگاه یخساز)



- ۷۴ سینی مخصوص قالب یخ را از آب پر نموده و در جای خود در داخل محفظه فریزر قرار دهید.
- جهت در آوردن قالب های یخ، کمی سینی مخصوص قالب یخ را خم نموده و یا بصورت ساده زیر آب بگیرید.

محل توزیع خودکار یخ و آب

موارد زیر را می توان بسته به نوع نیاز دریافت نمود:

- آب سرد
- قالب های یخ
- یخ خرد شده

⚠ هشدار!

برای دریافت آب و یا یخ از ظروف شکننده استفاده ننمائید - خطر بروز جراحت در اثر شکستن شیشه!

انگشتان خود را از خروجی تخلیه دور نگه دارید. خطر بروز جراحت در اثر تماس با تیغه خرد کننده یخ!

توجه:

قسمت تحویل یخ و آب در صورت اتصال دستگاه به پریز برق کار خواهد کرد.

در هنگام روشن نمودن دستگاه خود، به موارد زیر عنایت فرمائید

زمانی که دستگاه را وصل می نمائید هنوز حباب های هوا در داخل لوله ها وجود دارند.

آب آشامیدنی را مکرراً از قسمت توزیع آب دریافت نموده و دور بریزید و اینکار را تا زمانی که آب بدون هوا خارج شود، ادامه دهید. ۵ لیوان اول آب را دور بریزید.

هنگامیکه برای نخستین بار دستگاه یخساز را مورد بهره برداری قرار می دهید، بدلیل بهداشتی، ۳۰-۴۰ قالب یخ اول را مصرف نکنید.

روش عملکرد دستگاه یخساز

زمانیکه محفظه فریزر به دمای انجمادی خود رسید، آب بداخل یخساز جاری شده و بصورت قالب یخ شکل میگیرد. در هنگامی که قالب های یخ آماده شدند، بطور خودکار بداخل ظرف مخصوص نگه داری یخ تخلیه می گردند.

گاهی اوقات لبه یخ ها بهم می چسبند. زمانیکه به مدخل خرجی منتقل شدند، از یکدیگر شکسته و جدا می شوند.

هر زمان که ظرف مخصوص نگه داری یخ پر شود، عملیات یخسازي بطور خودکار متوقف می شود.

دستگاه یخساز قادر به ساخت حدود ۱۰۰ قالب یخ در طی ۲۴ ساعت می باشد.

هرگز جهت سرد شدن سریع، بطری ها و یا اغذیه را در داخل ظرف مخصوص نگه داری یخ قرار ندهید. امکان قفل کردن دستگاه یخساز و آسیب دیدگی آن وجود دارد.

از زمان روشن شدن دستگاه تا آماده سازی اولین دسته قالب های یخ حدود ۲۴ ساعت وقت لازم است.

هنگامیکه قالب های یخ در حال ساخت هستند، صدای شیر داخلی دستگاه و جریان آب ورودی بداخل سینی قالب یخ و همچنین صدای افتادن یخ ها بداخل ظرف مخصوص شنیده می شوند.

کیفیت آب آشامیدنی

کلیه مواد اولیه بکار رفته در قسمت توزیع آب از جنس بدون طعم و بو انتخاب شده اند.

اگر آب طعم دارد میتواند بدلیل زیر باشد:

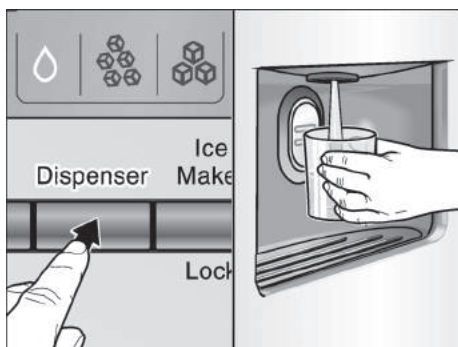
- مواد معدنی و کلرین موجود در آب آشامیدنی.
- مواد موجود در خطوط داخلی آب و اتصالات آن.
- تازگی آب آشامیدنی (چنانچه برای مدتی طولانی از قسمت توزیع آب نگرفته باشید، ممکن است آب مزه «ماندگی» بخود بگیرد. در چنین مواقعی حدود ۱۵ لیوان آب از یخچال گرفته و دور بریزید).

طعم و بوی آب احتمالاً با نصب فیلتر ضمیمه دستگاه، بهبود می یابد.

فیلتر همراه دستگاه فقط قادر به جذب ذرات موجود در آب خواهد بود و نه باکتری ها و میکروب های آن.

روش دریافت آب از قسمت توزیع یخچال

- تا زمان روشن شدن سمبل مربوطه، دکمه را فشار داده و نگه دارید.



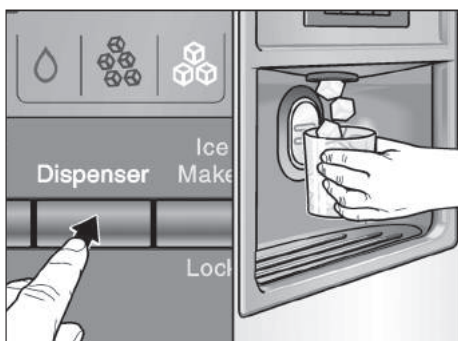
- لیوان را به پدال قسمت توزیع آب فشار دهید. هنگامی که لیوان را از پدال قسمت توزیع آب بردارید، جریان آب قطع می گردد.

نکته:

دمای آب دریافتی تا حدی دلیپذیر خنک شده است. چنانچه تمایل به آب خنک تر دارید، قبل از دریافت آب، در لیوان خود یخ بریزید.

روش دریافت یخ از قسمت توزیع یخچال

- تا زمان روشن شدن سمبل مربوط به قالب یخ و یا یخ خرد شده، دکمه را فشار داده و نگه دارید.



- ظرف مناسب را به پدال قسمت توزیع آب و یخ فشار دهید.

توجه:

- هنگامی که ظرف تا حد نصف آن پر شد، آن را از پدال قسمت توزیع آب و یخ بردارید. زیرا احتمال دارد یخ موجود در مجرای خروجی از حد ظرف بالا زده و باعث انسداد مجرا شود.

- پس از تبدیل حالت یخ قالبی به یخ خرد شده، ممکن است هنوز در مجرای خروجی قالب یخ و یا تکه های آن وجود داشته باشد. این یخ های باقیمانده با اولین سری یخ خرد شده بیرون می آیند.

محصولات زیر جهت بسته بندی مواد غذایی مناسب هستند:

کیسه های نازک پلاستیکی، کیسه های بادکنکی پلی اتیلن، فویل آلومینیوم و ظرف فلزی مخصوص فریزر. این گونه محصولات را می توان از فروشگاه های مخصوص تهیه نمود.

محصولات زیر جهت وکیوم نمودن مواد غذایی بسته بندی شده مناسب هستند:

نوار های لاستیکی، گیره های پلاستیکی، نخ مخصوص، نوار چسب های مقاوم در برابر سرما یا موارد مشابه.

درب کیسه های معمولی و بادکنکی جنس پلی اتیلن را میتوان با یک نوار وکیوم کننده بست.

ظرفیت فریزر

شما امکان فریز نمودن تا ۱۰ کیلو گرم مواد غذایی در ۲۴ ساعت را دارا هستید.

طول زمان ذخیره سازی مواد غذایی

مدت زمان ذخیره سازی بستگی به نوع تولید دارد.

در دمای میانه:

ماهی، سوسیس، اغذیه آماده	تا شش ماه و کیگ و شیرینی
پنیر، مرغ و گوشت	تا هشت ماه
سبزیجات و میوه	تا ۱۲ ماه

روش ذوب یخ اغذیه

بسته به نوع غذا و موارد استفاده، یخ اغذیه فریزر شده را می توان بروش زیر ذوب نمود:

- در دمای اتاق

- در یخچال

- در اجاق الکتریکی، با/بدون فن هوای داغ

- در ماکروفر

توجه

از فریز کردن مجدد اقلام غذایی که یخ آنها در حال باز شدن بوده و یا قبلاً باز شده اند، خودداری بفرمائید. مواد غذایی قابلیت فریز مجدد را ندارند مگر آنکه قبلاً آماده شده باشند (جوشانده یا سرخ کرده).

بیش از زمان حداکثر ذخیره سازی، اقلام غذایی فریز شده را نگاه ندارید.

روش فریز کردن و ذخیره سازی مواد غذایی

روش نگه داری غذا هایی که عمیقاً یخ زده اند

در هنگام خرید اغذیه فریز شده، مورد زیر را مورد عنایت قرار دهید:

- دقت کنید که بسته بندی آسیب ندیده باشد.
- تاریخ اعتبار مواد غذایی را چک کنید.
- دمای داخلی فریزر سوپر مارکت می بایست -۱۸ درجه سانتیگراد یا کمتر باشد. در غیر اینصورت، طول زمان ذخیره سازی کاهش می یابد.
- مواد غذایی فریز شده را در آخرین مرحله، خرید نمائید. این مواد را در داخل روزنامه پیچیده و یا داخل کیسه های مخصوص حمل مواد غذایی سرد قرار داده و به خانه ببرید.

• در خانه نیز سریعاً مواد غذایی یخ زده را در داخل فریزر قرار دهید. مواد غذایی یخ زده را قبل از گذشت تاریخ اعتبار، مصرف کنید.

- موادی که یخ شان باز شده را مجدداً فریز نکنید. استثنائات: چنانچه از این مواد جهت پخت غذا های آماده استفاده می نمائید (جوشاندن و یا سرخ کردن)، می توانید مجدداً آن ها را فریز کنید.

فریز کردن مواد توسط خودتان

تنها فریز کردن غذا های تازه و غیر معیوب جهت جلوگیری از پدیدن بو و مزه اغذیه و خشک شدن آن، این مواد را بسته بندی نموده و یا در داخل ظروف در بسته محفوظ از جریان هوا قرار دهید. جهت حفظ ویتامین ها، ارزش غذایی، ظاهر و طعم اغذیه، لازم است که هر چه سریعتر آنها را فریز نمائیم. بیش از حد مجاز ظرفیت فریزر، در آن مواد غذایی قرار ندهید.

روش صحیح بسته بندی مواد غذایی:

- غذا را در داخل لفاف قرار دهید.
- هوای داخل لفاف را کاملاً تخلیه کنید.
- درب لفاف را ببندید.
- تاریخ بسته بندی و نام مواد داخل کیسه را روی یک برچسب نوشته و بروی آن بچسبانید.

محصولات زیر جهت بسته بندی مواد غذایی مناسب نیستند:

کاغذ بسته بندی، کاغذ ضد روغن، سلوفان، کیسه های غیر قابل استفاده و کیسه های خرید دست دوم.

محفظه فریزر

دمای داخل محفظه فریزر را می توان از -۱۶ درجه سانتیگراد تا -۲۲ درجه سانتیگراد تنظیم نمود. توصیه ما دمای -۱۸ درجه سانتیگراد است.

روش استفاده از محفظه فریزر

- جهت نگه داری و ذخیره سازی اقلام غذایی که عمیقاً یخ زده اند.

- جهت فریز کردن مواد غذایی.

- جهت ساخت قالب های یخ.

توجه:

همیشه از بسته بودن درب فریزر اطمینان داشته باشید. در صورت باز بودن درب، یخ مواد غذایی باز می شود. محفظه فریزر با قشری ضخیم از برفک پوشیده خواهد شد. همچنین: همچنین در اثر مصرف بالایی برق، انرژی نیز تلف می گردد.

فریز «سریع»

کاربرد فریز سریع در فریز کردن مقادیر زیاد غذا های تازه بوده و بسته به کمیت مواد غذایی، می باید تا ۲۴ ساعت قبل از قرار دادن مواد غذایی در محفظه فریزر، فعال گردیده باشد. در حالت فریز «سریع»، محفظه فریزر تا حد امکان سرد خواهد گشت.

- دکمه سوپر را فشار دهید.



با هر بار فشار دکمه، این عملکرد فعال یا غیر فعال می گردد. فعال شدن عملکرد «فریز سریع» توسط سمبل خاص بروی صفحه نمایش نشان داده خواهد شد.

غذا هائي که نکه داري آن ها در محفظه «سرد - تازه» توصیه نمي گردد:

- ميوه ها و سبزيجات حساس به سرما (ميوه هاي مناطق استوائي، انبه، عنبه هندي، ميوه هاي خاص، بادنجان، خيار، فلفل، کاهو)
- ميوه هائي که نياز به رسيدن دارند (گوجه سبز، موز)
- سيب زميني
- پنير سفت

هنگام خريد اغذيه به موارد زير توجه کنيد:

«تازگي خريد» نقش مهمي را در طول عمر نکه داري مواد غذائي ايفاء مي نمايد. بطور کلي موارد زير مصداق دارند: هر چه مواد غذائي نکه داري شده در محفظه «سرد - تازه» با نشاط تر باشند، بيشتري مي توان آن ها را نکه داري نمود. هميشه در هنگام خريد مواد غذائي به درجه تازگي آن ها توجه داشته باشيد.

زمان هاي نکه داري (در صفر درجه سانتیگراد):

بستگي به ميزان کيفيت اوليه دارد

سوسيس، کالباس، گوشت، مواد تا ۷ روز زائد گوشت، ماهي، شير تازه، مواد لبني
قطعات ريز گوشت، سوسيس سرخ شده، قارچ، کاهو، سبزيجات برگ دار تا ۱۰ روز
قطعات درشت گوشت، غذا هاي آماده تا ۱۵ روز
سوسيس دودي يا سفت، کلم تا ۲۰ روز
قطعات درشت گوشت تفت داده شده، گوشت گاو، گوشت شکار، گوشت تازه ذبح شده تا ۳۰ روز

محفظه بار خانگي

(کليه مدل ها را شامل نمي گردد)

بمنظور دريافت نوشيدني، و امثالهم از داخل محفظه يخچال، لازم نيست که درب را باز نماييد.



محفظه نکه داري «سرد - تازه»

(کليه مدل ها را شامل نمي گردد)

دماي اين محفظه در حد تقريبا صفر درجه سانتیگراد حفظ مي گردد. اين حالت فراهم کننده مطلوب ترين شرايط ذخيره سازي اغذيه تازه است.

جهت ايجاد مطلوب ترين شرايط ذخيره سازي غذا:

- با استفاده از دکمه انتخاب، نوع غذاي مناسب را انتخاب نماييد (سبزيجات/ماهي/گوشت).

انتخاب انجام شده توسط یک چراغ ال اي بي دي روشن و ميزان دما نمايش داده مي شود.



توجه:

- در وضعيت «غير فعال»، محفظه، دمائي محفظه بالاي خود را اختيار مي کند.
- دمائي نمايش داده شده همان دمائي مورد نياز مي باشد. امکان تغيير جزئي دمائي داخل محفظه «سرد - تازه» وجود دارد.

يخچال

دماي داخل محفظه يخچال را مي توان از +۲ درجه سانتیگراد تا +۸ درجه سانتیگراد تنظيم نمود. توصیه ما تنظيم بروي رقم +۴ درجه سانتیگراد است.

روش استفاده از محفظه يخچال

جهت ذخيره سازي و نکه داري کيک، شيريني، غذا هاي آماده، اغذيه کنسرو، شير تغليظ شده، پنير سفت، ميوه و سبزيجات حساس به سرما: ميوه هاي مناطق استوائي، مانند نارنگي، موز، آناناس، خربزه، انبه، عنبه هندي، ميوه هاي خاص، بادنجان و همچنين ميوه هائي که نياز به رسيدن شدن دارند، مانند گوجه فرنگي، خيار، گوجه سبز، سيب زميني.

هنگام قرار دادن غذا ها، بروش زير عمل کنيد:

- صبر کنيد که اغذيه و نوشابه هاي گرم بيرون از دستگاه خنک شوند.
- جهت جلوگیری از پريدن بو و مزه اغذيه و خشک شدن آن، اين مواد را در داخل ظروف در بسته محفوظ از جريان هوا قرار دهيد.
- از تماس روغن و چربي غذا ها با سطوح پلاستيکي و لاستيک دور درب پرهيز بفرمائيد.
- درب بطري هاي حاوي الکل با درصد بالا را محکم بسته و بصورت ايستاده نگاه داريد. از ذخيره سازي مواد انفجاري در داخل دستگاه خودداري نماييد. خطر انفجار!

خنک سازي «سريع»

کاربرد اين عملکرد در خنک سازي سريع مواد غذائي و نوشيدني هائي است که در داخل محفظه يخچال قرار داده مي شوند. در حالت فعال بودن عملکرد خنک سازي «سريع»، محفظه يخچال تا حد امکان سرد مي شود.

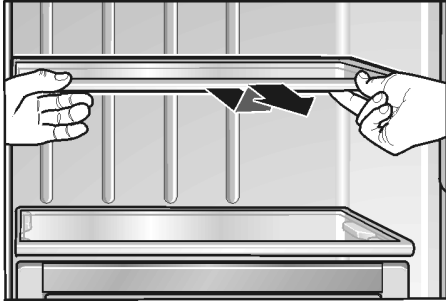
- دکمه سوپر را فشار دهيد.



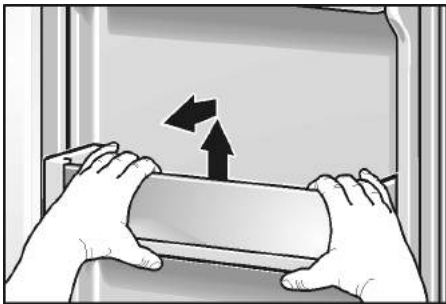
با هر بار فشار دکمه، اين عملکرد فعال يا غير فعال مي گردد. فعال شدن عملکرد «خنک سازي سريع» توسط یک سمبل بروي صفحه نمايش ظاهر مي گردد.

طراحی داخلی متغیر

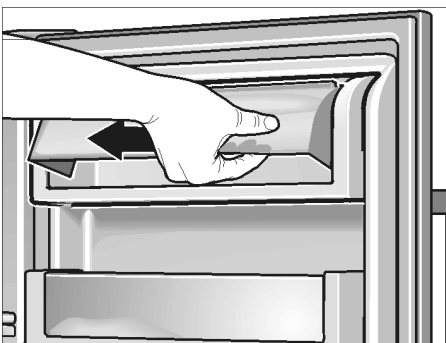
- شما امکان تغییر وضعیت طبقات داخلی دستگاه و همچنین محفظه های داخل درب را بر اساس نیاز های خود، دارا هستید.
- طبقه را بسمت جلو کشیده و خارج سازید.



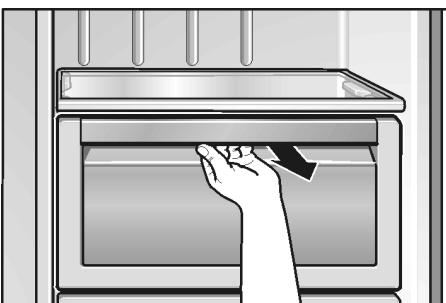
- محفظه را بلند نموده و خارج سازید.



- درپوش روی محفظه کره و پنیر را به آرامی بلند نموده و به سمت چپ فشار داده و خارج سازید.



- کشوها را به سمت جلو کشیده آنگاه کمی بلند نموده و خارج سازید.



- ظرف مخصوص قالب های یخ را تخلیه نمائید (به بخش «روش تمیز کردن دستگاه» رجوع شود).
- تنمه آب آشامیدنی را خالی کنید.
- دوشاخه اصلی دستگاه را از پریز خارج نمائید.
- فیلتر آب را بردارید.

توجه:

قبل از روشن کردن مجدد دستگاه، یک فیلتر آب جدید را نصب کنید!

- داخل دستگاه را تمیز نمائید (به بخش «تمیز کردن دستگاه» رجوع شود).

جهت جلوگیری از بو گرفتگی، درب های دستگاه را باز بگذارید.

چنانچه احتمال یخ زدگی وجود دارد، با بکار گیری یک تکنسین، محفظه آب آشامیدنی قسمت توزیع آب را تخلیه نمائید (به بخش دستورالعمل های نصب رجوع شود)

در صورت تغییر منزل

کلیه اجزای جدا شدنی را جدا ساخته و هر کدام را بدقت بسته بندی نمائید. درب ها و قسمت های آویزان را با استفاده از نوار چسب محکم نموده و دستگاه را بحالت ایستاده حمل کنید.

عملکرد های دستگاه

زنگ آلارم درب

در صورتیکه یکی از درب ها باز بماند، یک صدای آلارم پس از یک دقیقه بصدا در آمده و هر ۶۰ ثانیه یک بار به مدت ۵ دقیقه تکرار می گردد.

چراغ داخلی بصورت خودکار خاموش می شود

در صورتیکه یکی از درب ها بمدت بیش از ۱۰ دقیقه باز بماند، چراغ داخلی جهت جلوگیری از ایجاد گرمای اضافی خاموش می گردد. این کار باعث صرفه جوئی در مصرف برق می شود.

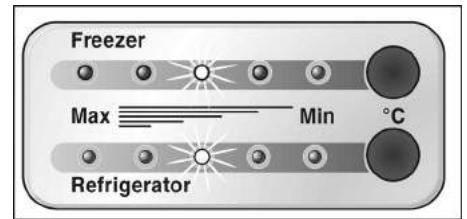
حالت صرفه جوئی در مصرف برق

اگر درب های مدت ۲۰ ثانیه بسته بوده باشد و هیچ از دکمه های عملکرد/صفحه نمایش یا یخ ساز/توزیع کننده آب در این مدت فشار داده نشده باشند، صفحه نمایش کنترل به حالت صرفه جوئی در مصرف انرژی تغییر وضعیت می دهد و نور چراغ پشت کم نور خواهد شد.

بمحض اینکه دستگاه مجددا مورد استفاده قرار گیرد، بعنوان مثال درب آن باز شده و یا یکی از کلید ها فشار داده شوند، نور زمینه صفحه نمایش به حالت عادی باز خواهد گشت.

دستگاه های دارای کنترل دما

- دستگاه دارای دو کنترل دمائی مجزا برای محفظه های یخچال و فریزر می باشد.
- تنظیمات کارخانه برای محفظه های یخچال و فریزر در حد متوسط می باشد.

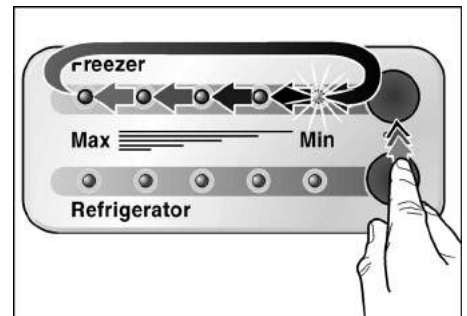


توجه:

۵ چراغ ال ای دی نشاندهنده محدوده دمائی محفظه مربوطه می باشد. بعنوان مثال دمائی محفظه یخچال از +۲ درجه سانتیگراد تا +۸ درجه سانتیگراد.

جهت تغییر رقم دما بروش زیر عمل کنید:

- تا زمان رسیدن به تنظیمات دلخواه، دکمه انتخاب را فشار داده و نگه دارید.



اعداد نشاندهنده مقدار درجه حرارت دستگاه، به ترتیب از گرمترین (حداقل) تا سردترین (حداکثر) نشان داده می شوند.

روش خاموش کردن دستگاه و قطع اتصال آن

روش خاموش کردن دستگاه

- دوشاخه اصلی دستگاه را از پریز خارج نمائید.

روش قطع اتصال دستگاه

چنانچه برای مدتی طولانی مورد استفاده قرار نمی گیرد:

- کلیه مواد غذایی را از داخل دستگاه خارج کنید.
- جریان آب دستگاه را قطع نمائید.

روش نصب

محل نصب دستگاه

دستگاه را در محلی خشک و با تهویه مناسب هوا قرار دهید. محل استقرار دستگاه نمی بایست در معرض نور مستقیم خورشید و یا در مجاورت منابع گرما یا از قبیل اجاق گاز، شوفاژ و امثالهم انتخاب گردد. در صورتیکه چاره ای جز نصب در کنار منابع گرما وجود ندارد، از یک صفحه عایق مناسب استفاده نموده و یا حداقل فاصله لازم را رعایت فرمائید:

۳ - سانتیمتر تا اجاق الکتریکی.

۳۰ - سانتیمتر تا اجاق نفتی و یا اجاق های دارای سوخت جامد.

کف زمین محل استقرار دستگاه باید محکم باشد. در صورت لزوم، کف زمین را تقویت نمائید.

وزن دستگاه بسیار سنگین است. جهت اطلاع از وزن خالص دستگاه، به جدول زیر مراجعه شود.

مدل پایه	۱۰۴ کیلوگرم
مدل دارای قسمت توزیع یخ	۱۱۳ کیلوگرم
مدل های دارای بار خانگی	۱۱۵ کیلوگرم

جهت اطمینان از کارکرد صحیح یخساز، می بایست دستگاه بصورت ایستاده قرار گرفته باشد. صاف قرار داشتن دستگاه را با یک تراز جابدار بسنجید. چنانچه دستگاه را در گوشه و یا فرو رفتگی دیوار اتاق قرار می دهید، بمنظور باز شدن کامل درب ها، حداقل فاصله جانبی را رعایت فرمائید. (به بخش «اندازه های دستگاه» رجوع شود).

روش اتصال دستگاه به برق

پس از نصب و استقرار دستگاه حداقل یک ساعت درنگ نموده و سپس دستگاه را روشن نمائید. این امر به احاط آن است که امکان دارد روغن موجود در کمپرسور دستگاه در زمان حمل و نقل به داخل سیستم خنک کننده وارد شده باشد.

قبل از استفاده از دستگاه برای نخستین بار، داخل آن را تمیز نمائید. (به بخش «تمیزکاری دستگاه» مراجعه کنید).

رتبه بندی حفاظتی دستگاه مطابق با کلاس آی می باشد. با بهره گیری از یک پریز برق که بطرز صحیح به دیوار نصب شده و اتصال سیم زمین آن نیز برقرار گشته است، دستگاه را به جریان برق ۲۲۰-۲۴۰ ولت/۵۰ هرتز، وصل نمائید.

پس از نصب دستگاه باید براهتی به پریز برق آن دسترسی داشته باشید. پریز برق می باید با یک فیوز ۱۰ تا ۱۶ آمپر محافظت شده باشد.

تهویه هوا

هوای گرم می باید بدون مانع تهویه و خارج گردد. در غیر اینصورت، موتور دستگاه بایستی بیشتر کار کند که این امر باعث افزایش مصرف برق خواهد گردید.

بنابر این: هرگز سوراخ های تهویه هوا را مسدود ننموده و روی آنها را پوشش نکشید! همچنین بمنظور کاهش مصرف برق، هر از چند گاهی قسمت پشت دستگاه را تمیز کنید.

روش روشن کردن دستگاه

• دو شاخه اصلی دستگاه را در داخل پریز برق قرار دهید.

بمحض اتصال دستگاه به برق، مرحله سرما زائی آن آغاز می گردد. در هنگام باز بودن درب دستگاه، چراغ های داخلی آن روشن می شوند.

توجه:

دستگاه پس از گذشت حدود ۲ تا ۳ ساعت به دماهای پیش فرض (تنظیمات کارخانه) می رسد. قبل از این مرحله، مواد غذایی را داخل دستگاه قرار ندهید.

بمنظور تغییر تنظیمات دمائی -> به بخش «روش تنظیم دما» رجوع شود.

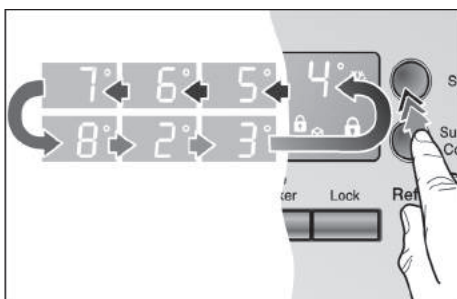
روش تنظیم دما

دستگاه های دارای صفحه کنترل

- دمائی داخل محفظه های یخچال و فریزر را می توان بصورت مجزا تنظیم نمود. رقم تنظیم شده بروی صفحه نمایشگر نشان داده می شود.

جهت تغییر رقم دما بر روش زیر عمل کنید:

• دکمه انتخاب را فشار داده و تا زمان نشان داده شدن رقم دلخواه دما آن را نگه دارید.



آخرین رقم نمایش داده شده در سیستم ذخیره می شود.

در صورت استفاده از دستگاه در خارج از حوزه کشورهای اروپائی، ابتدا چک کنید که نوع و ولتاژ برق مشخص شده بر روی پلاک رتبه بندی دستگاه با مقادیر برق محل بهره برداری از آن، مطابقت داشته باشد. شما می توانید این اطلاعات را بر روی پلاک رتبه بندی دستگاه ملاحظه فرمائید.

⚠ هشدار!

دستگاه نباید هیچگاه به یک دوشاخه الکترونیکی کاهنده جریان برق وصل گردد.

شما می توانید از مبدل های سینوسی و همچنین مبدل های خطی به همراه دستگاه های ما استفاده نمائید.

مبدل های خطی به همراه سیستم های متناوب ساز که مستقیماً به شبکه ملی برق وصل می شوند، مورد استفاده قرار میگیرند. مبدل های سینوسی می باید برای دستگاه های استفاده شوند که اتصال مستقیم به شبکه ملی برق ندارند (مانند دستگاه های مورد استفاده بر روی کشتی ها و یا کلبه های کوهستانی).

احتیاط:

در هنگام نصب و یا تعویض کابل برق، مقداری را جهت کشیدگی در نظر بگیرید.

از سیم های رابط و یا سه راهی استفاده نکنید.

همیشه دمائی محیط و وضعیت تهویه هوا را مد نظر داشته باشید

دمائی محیط

درجه بندی اتمسفر بروی صفحه شناسائی دستگاه درج شده است. این صفحه نشاندهنده دمائی مطلوب اتاق جهت کارکرد دستگاه می باشد.

درجه بندی اتمسفر	دمائی مجاز محیط
SN	۱۰+ درجه سانتیگراد تا ۳۲ درجه سانتیگراد
N	۱۶+ درجه سانتیگراد تا ۳۲ درجه سانتیگراد
ST	۱۶+ درجه سانتیگراد تا ۳۸ درجه سانتیگراد
T	۱۶+ درجه سانتیگراد تا ۴۳ درجه سانتیگراد

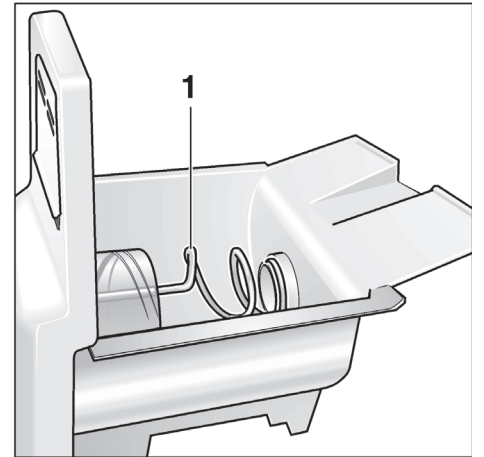
توجه:

کارکرد دستگاه با توجه به محدودیت های دمائی محیط اطراف آن که بر اساس طبقه بندی آب و هوائی تعریف می گردند، امکان پذیر می باشد. چنانچه یک دستگاه با طبقه آب و هوائی SN در محیط های با درجه دمائی پایین تر کار کند، تا حد ۵+ درجه سانتیگراد خسارت نخواهد دید.

چنانچه برخی لوازم در دستگاه شما موجود نیست، بدلیل آن است که مربوط به مدل های دیگر میشود.

محل توزیع یخ و آب

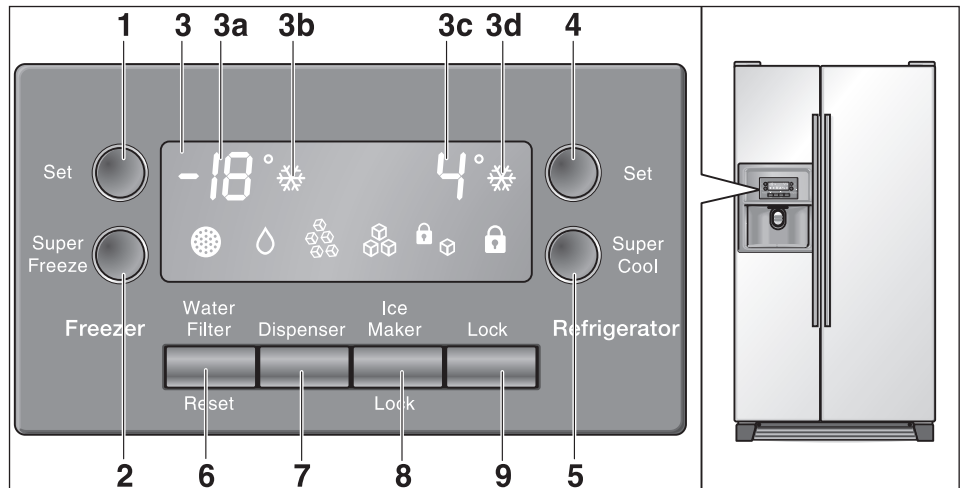
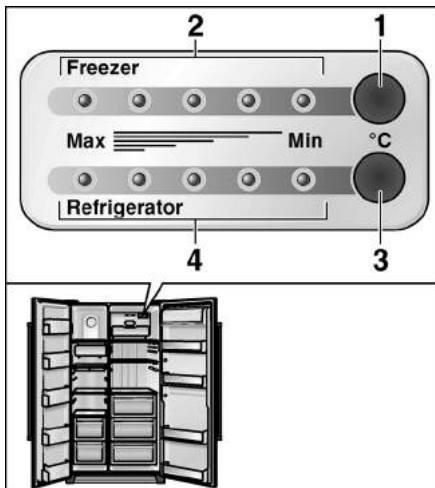
دستگاه یخساز



- 2 پد مخصوص محل توزیع
3 سینی مخصوص جمع آوری آب

1 حامل پیچ

صفحه کنترل و نمایشگر



- کنترل دما
- 1 دکمه انتخاب دمای داخل محفظه فریزر
- 2 نمایشگر ال ای دی دمای محفظه فریزر
- 3 دکمه انتخاب دمای داخل محفظه یخچال
- 4 نمایشگر ال ای دی دمای محفظه یخچال

- 6 دکمه راه اندازی مجدد، فیلتر آب
- 7 دکمه درخواست آب/یخ
- 8 دکمه قفل دستگاه یخساز جهت استفاده در زمان تمیز کردن و یا هنگام عدم استفاده طولانی مدت از دستگاه یخساز
- 9 دکمه قفل صفحه کنترل (قفل کودک) فشار این دکمه باعث جلوگیری از تغییرات ناخواسته تنظیمات دستگاه خواهد گشت. جهت آزاد شدن دکمه، آن را بمدت بیش از یک ثانیه فشار دهید. نمایشگر محو می گردد.

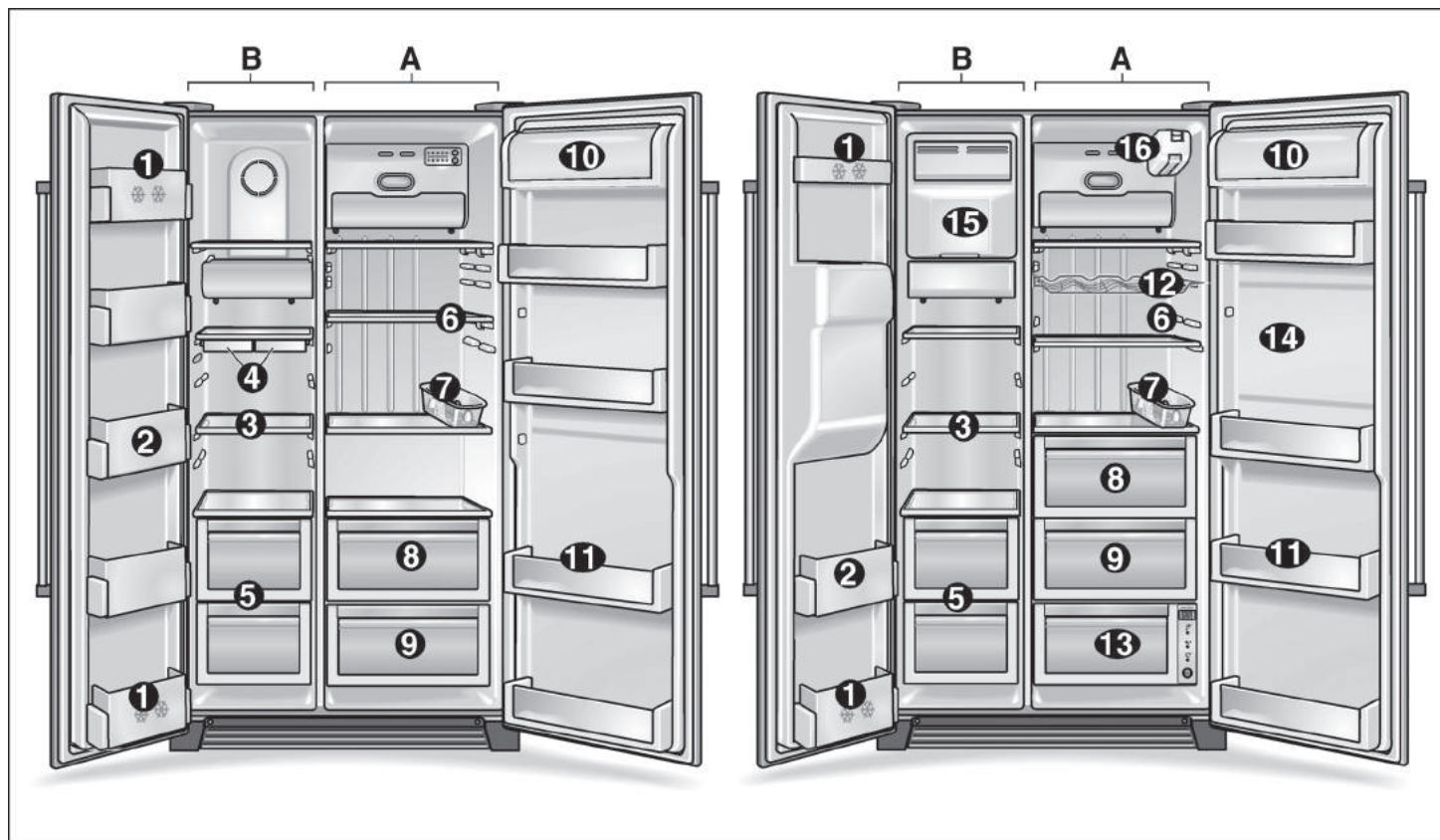
- 1 دکمه انتخاب دمای داخل محفظه فریزر
- 2 دکمه فریز «سریع»
- 3 صفحه نمایشگر
- 3a نمایشگر دما، محفظه فریزر
- 3b نمایشگر فریز «سریع»
- 3c نمایشگر دما، محفظه یخچال
- 3d نمایشگر خنک ساز «سریع»
- 4 دکمه انتخاب دمای داخل محفظه یخچال
- 5 دکمه خنک ساز «سریع»

توضیحاتی در مورد سمبل های صفحه نمایشگر

نمایشگر «آب»		نمایش پیام «زمان تعویض فیلتر» پس از تعویض فیلتر، بمنظور خاموش شدن نمایشگر، دکمه ریست فیلتر را بمدت حدودا 5 ثانیه فشار داده و نگه دارید.	
نمایشگر «یخ خرد شده»		نمایشگر «یخساز قفل است»	
نمایشگر «یخ قالبی»		نمایشگر «صفحه کنترل قفل است»	

دستگاه جدید شما

این دستورالعمل‌های عملکرد مربوط به چندین مدل مختلف می‌باشند. تصاویر ممکن است متفاوت باشند.



A محفظه یخچال

B محفظه فریزر

- | | | |
|---|---|---|
| <p>14 محفظه بار خانگی* جهت سهولت در برداشت سریع نوشیدنی‌ها و بدون نیاز به باز کردن درب یخچال، از خارج باز می‌گردد.</p> <p>15 دستگاه یخساز* جهت تولید و ذخیره سازی قالب‌های یخ.</p> <p>16 فیلتر آب*</p> | <p>6 طبقات شیشه‌ای داخل محفظه یخچال جهت ذخیره سازی غذیه پخته شده، محصولات لبنی، سوسیس.</p> <p>7 ظرف مخصوص تخم مرغ</p> <p>8 محفظه مخصوص سبزیجات</p> <p>9 محفظه مخصوص میوه</p> <p>10 محفظه نگه داری کره و پنیر</p> <p>11 محفظه ذخیره سازی داخل درب جهت نگه داری غذیه کنسرو، بطری‌ها و پارچ‌ها.</p> <p>12 نگه دارنده بطری شراب*</p> <p>13 محفظه مخصوص تازه و خنک نگه داشتن غذیه* جهت ذخیره سازی بهینه ماهی، گوشت، مرغ.</p> | <p>1 محفظه ذخیره سازی داخل درب (۲- محفظه استار) جهت ذخیره سازی کوتاه مدت غذا و بستنی.</p> <p>2 محفظه ذخیره سازی داخل درب جهت نگه داری غذیه فریز شده.</p> <p>3 طبقات شیشه‌ای داخل محفظه فریزر جهت نگه داری غذیه فریز شده، مانند گوشت، ماهی، بستنی.</p> <p>4 محفظه نگه داری یخ قالبی*</p> <p>5 کشوی داخل محفظه فریزر جهت ذخیره سازی گوشت، ماهی، مرغ (بسته بندی شده).</p> |
|---|---|---|

* تمام مدل‌ها را شامل نمی‌شود

نکاتی در باره تحویل دستگاه

پس از باز کردن کارتن، کلیه قسمتهای دستگاه را از جهت سالم بودن در حین حمل و نقل مورد بررسی قرار دهید. در صورت وجود هر نوع شکایت، لطفاً مراتب را به نماینده فروش که دستگاه را از آن خریده اید و یا بخش پشتیبانی خدمات مشتریان شرکت منعکس فرمایید.

دستگاه تحویلی می بایست شامل اجزای زیر باشد:

- دستگاه یخچال - فریزر
- کیسه حاوی لوازم جانبی
- خصوصیات دستگاه (بستگی به مدل دستگاه دارد)
- دستورالعمل های نصب و راهنمای مصرف کنندگان
- کتابچه راهنمای خدمات پس از فروش
- موارد شامل ضمانت
- اطلاعات در خصوص مصرف برق و صدا های تولید شده از دستگاه

اطلاعاتی در خصوص روش دور انداختن دستگاه

روش دور انداختن مواد بسته بندی

مواد بسته بندی دستگاه شما را در زمان حمل و نقل محفوظ نگه می دارند. کلیه مواد بسته بندی سازگار با محیط زیست بوده و قابل باز یافت هستند. لطفاً با رعایت موازین زیست محیطی در هنگام دور انداختن مواد بسته بندی، در ایجاد محیط زیست سالم تر مشارکت فرمائید.

لطفاً روش های صحیح دور انداختن مواد بسته بندی را از نماینده فروش دستگاه و یا مقامات محلی جویا شوید.

هشدار!

مواد و اجزای بسته بندی را از دسترس کودکان بدور نگاه دارید. خطر خفگی بر اثر کارتن های چند لایه و نوار های پلاستیکی وجود دارد!

اطلاعات در خصوص روش دور انداختن دستگاه قدیمی

دستگاه های قدیمی زیاده های بی ارزش نیستند! مواد خام ارزشمندی را می توان از دستگاه های قدیمی بدست آورده و بازیافت نمود.

طراحی این دستگاه بر اساس استاندارد اروپائی شماره ایی/یو/۲۰۱۲/۱۹ انجام گردیده است که در خصوص نحوه صحیح دور انداختن تجهیزات الکتریکی و الکترونیکی دست دوم رهنمود می دهد (تجهیزات الکتریکی و الکترونیکی ضایعاتی - WEEE). این استاندارد مشخص کننده چهارچوب بازآوری و بازیافت دستگاه های دست دوم در قلمرو کشور های اتحادیه اروپا می باشد.

هشدار!

دستگاه های زائد:

۱. دوشاخه اصلی دستگاه را از پریز خارج نمائید.

۲. سیم برق دستگاه را بریده و به همراه دوشاخه آن دور بیاندازید.

یخچال ها حاوی مواد خنک کننده و عایق های آن حاوی انواع گاز می باشند. روش دور انداختن مواد خنک کننده و گاز ها می بایست بنحو صحیح انجام پذیرد. قبل از دور انداختن صحیح، از سالم بودن لوله و مسیر ماده خنک کننده اطمینان حاصل فرمائید.

نکات و هشدار های ایمنی

مراحل قبل از روشن نمودن دستگاه

لطفا دستورالعمل های عملکرد و نصب را بدقت مطالعه فرمائید. این دستورالعمل های حاوی اطلاعاتی مهم در مورد نصب، استفاده و نگهداری از دستگاه می باشند.

در صورت عدم توجه کاربر دستگاه به اطلاعات و هشدار های مذکور در این راهنما، شرکت سازنده تعهدی در خصوص خسارات وارده نخواهد داشت.

لطفا کلیه مدارک را برای استفاده بعدی خودتان و یا استفاده مالک بعدی دستگاه نگه دارید.

نکات ایمنی فنی

⚠ هشدار

- تعمیرات دستگاه و همچنین تعویض سیم برق دستگاه می بایست تنها در مرکز سرویس و خدمات مشتریان انجام پذیرد. نصب نادرست و تعمیرات غیر اصولی باعث میشود که مصرف کننده در معرض خطرات قابل ملاحظه قرار گیرد.

اطلاعات مهم در خصوص استفاده از دستگاه

• هرگز وسایل الکتریکی داخل دستگاه (همانند گرمکن ها، یخساز های الکتریکی و غیره را مورد استفاده قرار ندهید). خطر انفجار!

• هرگز از یک تمیز کننده دارای بخار جهت آب کردن یخ و یا تمیز کردن دستگاه استفاده نفرمائید. احتمال نفوذ و تماس بخار با اجزای الکتریکی و ایجاد اتصالی و یا برق گرفتگی متصور است.

• از قرار دادن محصولات که حاوی عوامل اشتعال زا هستند (همانند قوطی های اسپری) و یا مواد انفجاری، در داخل دستگاه پرهیز کنید. خطر انفجار!

• از ایستادن و تکیه کردن بروی پایه، کتو ها و یا درب و دیگر اجزای دستگاه خودداری نمائید.

• قبل از مرحله یخ زدائی و تمیز نمودن دستگاه، دو شاخه اصلی را از پریز خارج نموده و یا فیوز را قطع کنید. دو شاخه را با کشیدن سیم برق از پریز خارج نکنید.

• درب بطری های حاوی مواد دارای درصد بالای الکل می بایست بطور کامل بسته شده و بطری بحالت ایستاده نگاه داشته شود.

• قطعات پلاستیکی و لاستیک دور درب را از آلوده شدن به مواد نفتی روغنی محفوظ نگه دارید. در غیر اینصورت، اجزای یاد شده و لاستیک دور درب سوراخ سوراخ می شوند.

• هرگز منافذ تهویه هوا دستگاه را نپوشانیده و یا مسدود نکنید.

• دورکردن خطرها از کودکان و سایر افراد در معرض خطر:

افراد در معرض خطر از جمله کودکان، افرادی که دچار کمبود توانایی های جسمانی، شناختی یا حسی هستند و نیز افرادی که اطلاعات کافی برای به کار انداختن دستگاه را ندارند. اطمینان حاصل کنید کودکان و افراد در معرض خطر، حتما خطرات احتمالی استفاده از دستگاه را درک کنند.

وقتی کودکان و افراد در معرض خطر از این دستگاه استفاده می کنند، مسئول ایمنی باید بر آنها نظارت کند یا طرز استفاده از دستگاه را به آنها آموزش دهد.

اجازه ندهید کودکان زیر ۸ سال از این دستگاه استفاده کنند.

موقع تمیزکاری و سرویس دستگاه مراقب کودکان باشید.

هرگز اجازه ندهید کودکان با دستگاه بازی کنند.

• از ذخیره سازی بطری ها و یا قوطی های نوشابه (خصوصا نوشابه های حاوی کربنات) در داخل محفظه فریزر پرهیز فرمائید. احتمال انفجار بطری ها و یا قوطی ها وجود دارد!

• هرگز رشته ها و یا قالب های یخ را مستقیما از داخل محفظه فریزر بداخل دهان خود نگذارید. خطر یخ سوختگی بر اثر دمای بسیار پایین!

• هرگز اغذیه یخ زده را با دستان مرطوب لمس نکنید. دستان شما به یخ اغذیه خواهد چسبید. خطر بروز جراحت!

• هیچگاه سعی نکنید که برفک و یا غذا های یخ زده چسبیده را با استفاده از یک چاقو و یا اشیاء نوک تیز بتراشید. با این کار احتمال آسیب دیدگی لوله حاوی ماده خنک کننده وجود خواهد داشت. نشست ماده خنک ساز احتمال بروز آسیب های چشمی را به همراه خواهد داشت.

گرفتن شدن کودکان در داخل لوازم خانگی

• کودکان را از بسته بندی و قطعات آن دور نگه دارید. خطر خفگی بخاطر کارتن های تاشو و فیلم پلاستیکی نیز وجود دارد!

• چنانچه دستگاه دارای قفل می باشد، کلید آن را از دسترس کودکان بدور نگه دارید.

الزامات عمومی

این دستگاه مناسب است برای

• خنک کردن مواد غذایی،

• فریز کردن مواد غذایی،

• و جهت ساخت یخ.

این دستگاه برای استفاده در ارتفاع حداکثر ۲۰۰۰ متری از سطح دریا درست شده است.

طراحی کاربری این دستگاه بر اساس مصارف خانگی و استفاده از آن در محیط منزل می باشد.

ساخت این دستگاه بر اساس استاندارد اروپایی 2004/108/EC انجام پذیرفته است.

مسیر جریان ماده خنک کننده از جهت وجود نشستی مورد بررسی قرار گرفته است.

این محصول با مقررات ایمنی قابل اجرای دستگاه های الکتریکی (EN 60335/2/24) مطابقت دارد.

fa فهرست مطالب به زبان

fa-2	نکات و هشدار های ایمنی
fa-3	اطلاعات در خصوص روش دور انداختن دستگاه قدیمی
fa-3	نکاتی در باره تحویل دستگاه
fa-4	دستگاه جدید شما
fa-6	روش نصب
fa-6	روش اتصال دستگاه به برق
fa-6	همیشه دمای محیط و وضعیت تهویه هوا را مد نظر داشته باشید
fa-6	روش روشن نمودن دستگاه
fa-6	روش تنظیم دما
fa-7	روش خاموش کردن دستگاه و قطع اتصال آن
fa-7	عملکرد های دستگاه
fa-7	طرح متفاوت داخلی
fa-8	یخچال
fa-9	محفظه فریزر
fa-9	روش فریز و ذخیره کردن مواد غذایی
fa-10	توزیع خودکار آب و یخ
fa-11	فیلتر آب
fa-13	نحوه صرفه جویی در مصرف برق
fa-13	صدا های حین عملکرد دستگاه
fa-13	یخ زدایی
fa-13	روش تمیز کردن دستگاه
fa-14	رفع ایرادات جزئی توسط خودتان
fa-16	تعویض چراغ ها
fa-16	نحوه تماس با سرویس و خدمات مشتریان
fa-17	دستورالعمل های نصب

تشغيل الثلاجة

قم بتشغيل الثلاجة طبقا لتعليمات التشغيل المرفقة.

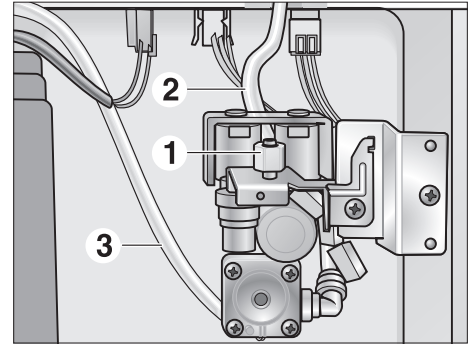
فصل الثلاجة

قم بفصل الثلاجة طبقا لتعليمات التشغيل المرفقة.

في حالة فصل الثلاجة أو تخزينها في درجات حرارة تقل عن درجة التجمد قم بتفريغ خزان الماء الخاص بوحدة صب ماء الشرب.

تفريغ خزان الماء بالثلاجة

- اخلع القابس الكهربائي.
- قم بإيقاف إمداد الثلاجة بالماء.
- اخلع غطاء حيز المحرك الموجود بظهر الثلاجة
- قم بفك كابل التوصيل (1).
- ضع وعاء مسطحا (سعة ٣ لتر تقريبا) أسفل صمام التوصيل لاستيعاب الماء الخارج.



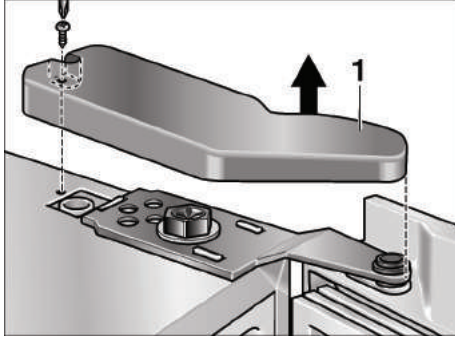
- قم بفك الخرطومين (2) و (3) بصمام التوصيل الخاص بالثلاجة واحدا تلو الآخر و قم بتفريغهما ثم أعد تركيبهما.
- هام: احرص على عدم حدوث خلط عند إعادة تركيب وصلات الخراطيم!
- بعد الانتهاء من تفريغ خزان الماء أعد تركيب غطاء حيز المحرك.
- قم بتشغيل الثلاجة ثم افتح صنوبر الماء.

ملحوظة:

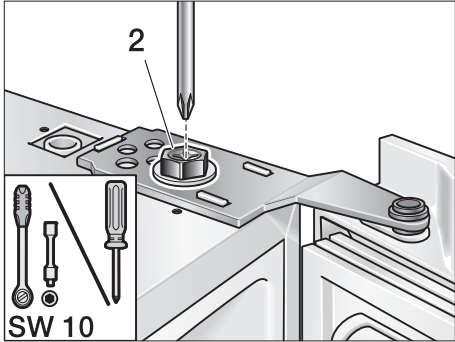
قد يؤدي وزن الثلاجة وحمولة الطعام في الباب إلى حدوث ميل لباب قسم التبريد حتى لو كانت الثلاجة نفسها مضبوطة بصورة مستوية. يوجد تفاوت في فجوة الباب بين الجهتين العلوية والسفلية.



- اخلع غطاء المفصلة العلوية (1).

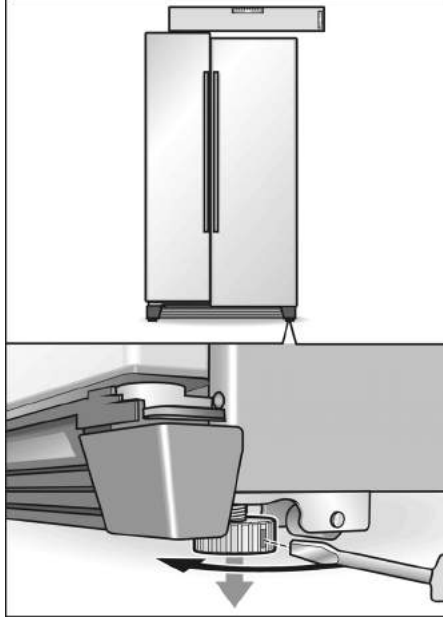


- قم بتخفيف ربط مسامير القلاووظ الخاصة بالمفصلة (2). لا تفك مسامير القلاووظ بشكل كامل!



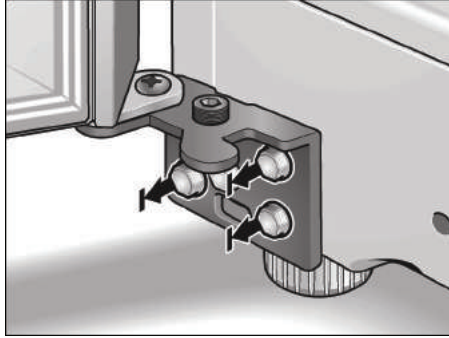
- قم بضبط ميل باب قسم التبريد.
- قم بإحكام ربط مسامير القلاووظ الخاصة بالمفصلة.
- قم بتثبيت أغطية المفصلات.

باب قسم التبريد منخفض عن الآخر:



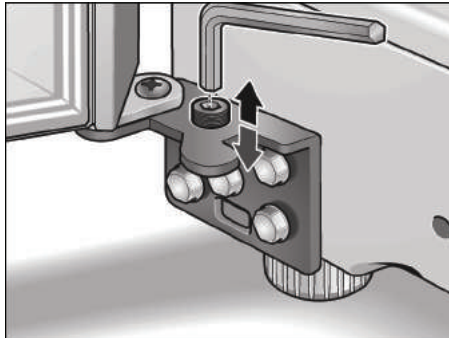
إذا لم تكن الخطوات السابقة كافية لضبط استواء الثلاجة:

- اخلع لوح القاعدة.



- قم بتخفيف ربط مسامير القلاووظ الثلاثة الخاصة بالمفصلة. لا تفك مسامير القلاووظ بشكل كامل!

- أدخل مفتاح الربط في مسامير الضبط.



– لرفع الباب إلى أعلى:
أدر مفتاح الربط في اتجاه حركة عقارب الساعة.

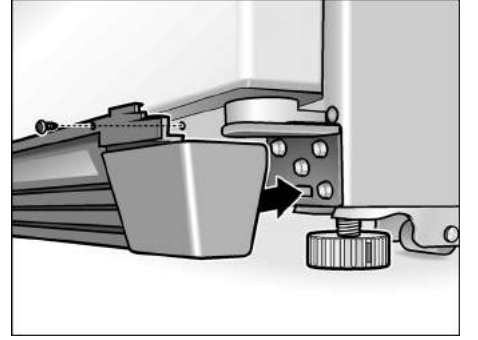
– لتحريك الباب إلى أسفل:
أدر مفتاح الربط عكس اتجاه حركة عقارب الساعة.

ضبط استواء الثلاجة

يجب ضبط استواء الثلاجة باستخدام ميزان ماء لضمان قيام الثلاجة بوظيفتها بشكل صحيح.

في حالة ضبط استواء الثلاجة بشكل غير صحيح فقد يتسبب ذلك في تسرب الماء من جهاز إعداد الثلج أو في تفاوت أحجام مكعبات الثلج أو في عدم انغلاق الأبواب بصورة صحيحة.

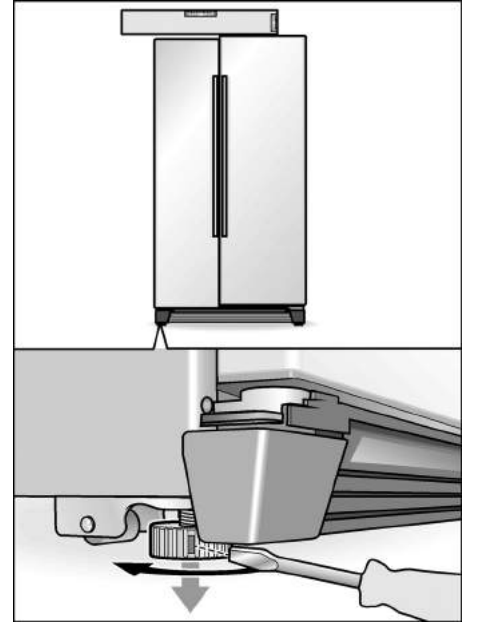
- قم بتركيب الثلاجة في المكان المخصص لذلك.
- اربط لوح القاعدة المرفق باستخدام ٣ مسامير قلاووظ.



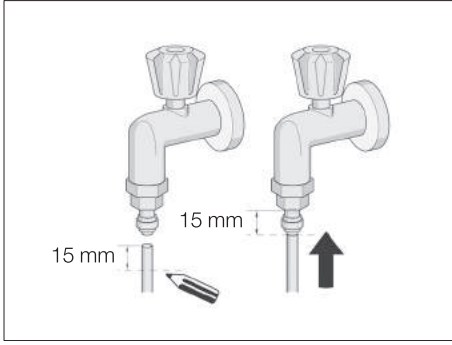
- لمنع تدرج الثلاجة قم بإدارة القدمين الأماميتين والخلفيتين إلى أن تتلامس جيدا مع الأرضية.

- قم بإدارة القدمين الأماميتين والخلفيتين إلى أن يتم ضبط استواء الثلاجة بصورة دقيقة. استعن بالأبواب كمقياس لضبط الاتزان!

باب قسم التجميد منخفض عن الآخر:



٥. أدخل أنبوب التوصيل في القارئة القلاووظ إلى أبعد مدى ممكن.



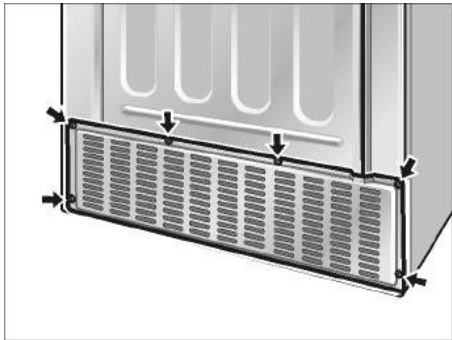
• يمكن تأمين أنبوب التوصيل بحائط الغرفة باستخدام المشابك الموردة.

تنبيه:

- لا يجوز أبدًا ثقب الجهاز أو ربط براغي فيه.
- اضبط أنبوب التوصيل على هيئة حلقات أو لوليات بحيث يمكن تحريك الجهاز بعيدا عن الجدار.

فحص وصلة الماء ضد التسريب

- قم بتشغيل الثلاجة طبقا لتعليمات التشغيل المرفقة.
- قم بتفريغ الماء من الثلاجة طبقا لتعليمات التشغيل. سيستغرق ذلك بضع ثوان نظرا لأنه لا يزال هناك هواء في الوصلات وفي خزان الماء.
- افحص الجلب اللولبية من حيث وجود تسريب من جهتي الثلاجة والصنبور.
- بعد الانتهاء من عملية الفحص ضد التسريب اخلع القابس الكهربائي مرة أخرى ثم قم بتركيب غطاء حيز المحرك.



التوصيل

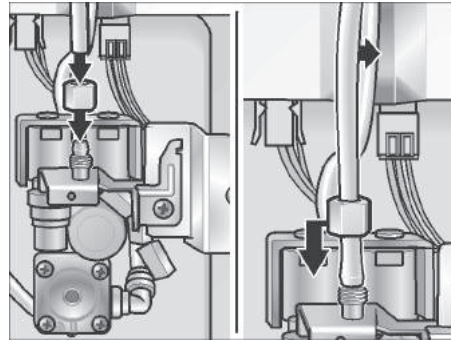
⚠ تنبيه!

خطر حدوث أضرار ناجمة عن التسربات والماء.

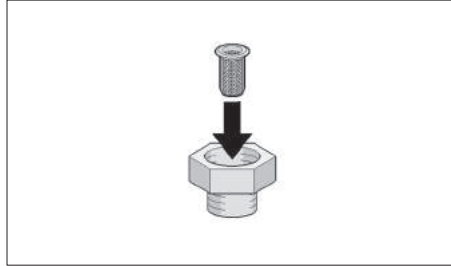
التزم بالأمور التالية:

- لا تقم بثني أنبوب التوصيل.
- اقطع أنبوب التوصيل بشكل متساوي.
- لا تضغط على أنبوب التوصيل بالزرادية.
- أحكم ربط القارئة القلاووظ بيدك. لا تستخدم زردية.

١. قم بتركيب أنبوب التوصيل في الصمام ذو الملف اللولبي.



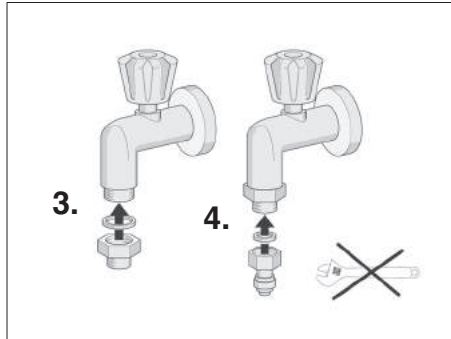
٢. ضع الفلتر داخل وصلة التخفيض.



ملحوظة:

يجب تنظيف الفلتر يدويا. في حالة وجود كثير من الشوائب في المياه، فقم بتنظيف الفلتر بصفة أكثر انتظاما.

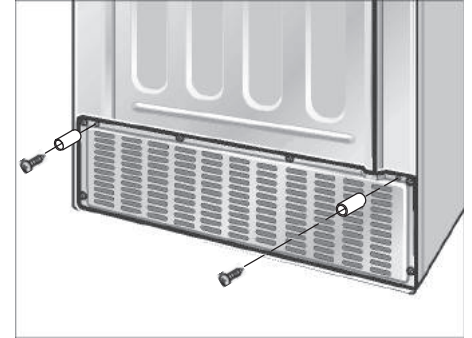
٣. قم بتركيب وصلة التخفيض في الصنبور.



٤. قم بتركيب القارئة القلاووظ في الصنبور.

أدنى مسافة بين الثلاجة والحائط الخلفي

- استخدم مسامير القلاووظ لربط وسائل المبادعة الموردة في الفتحات المعنية بظهر الثلاجة.



ومن شأن ذلك المحافظة على أدنى مسافة بين الثلاجة والحائط الخلفي، وهي ٣٠ مم، مما يوفر تهوية كافية.

فك الأبواب

في حالة تعذر مرور الثلاجة من خلال باب المنزل يمكن فك أبواب الثلاجة.

تنبيه:

إذا كان من الضروري فك الأبواب، فيجب أن يتم ذلك بمعرفة مركزنا لخدمة ما بعد البيع فقط. وسوف يقدر لك مركز خدمة ما بعد البيع المحلي تكلفة فك الأبواب.

توصيل الثلاجة بمصدر الإمداد بالماء

لا يجوز توصيل الماء إلا من خلال فني متخصص وعلى نحو مطابق للتعليمات المحلية الصادرة عن مرفق المياه المختص.

قم بتوصيل الثلاجة بوصلة الماء المنزلية.

– الحد الأدنى للضغط: ١,٠ بار

– الحد الأقصى للضغط: ٨,٠ بار

اتصل بشركة متخصصة في أعمال السباكة إذا كنت غير متأكد من طريقة فحص ضغط الماء الحالي.

تنبيه

إذا كان ضغط الماء أكبر من ٥,٥ بار، فيجب تركيب صمام تخفيض للضغط. وإلا سيكون هناك خطر من حدوث أضرار بسبب الماء. إذا كان ضغط الماء أقل من ١,٠ بار، لن يعمل جهاز إعداد الثلج.

ينبغي أن يكون من السهل الوصول إلى صنبور الماء الموصل به خرطوم التوصيل الموردة.

يجب توصيل الجهاز بأنبوب ماء بارد فقط.

يمكن تحسين مذاق ورائحة الماء من خلال تركيب خرطوشة الفلتر الموردة. في حالة القيام بذلك، انتبه إلى خصائص التوصيل المختلفة (انظر فصل فلتر الماء).

إزالة الأغلفة الحافظة للثلاجة

- قم بإزالة مواد التغليف والشرائط اللاصقة. (يمكن إزالة بقايا الشرائط اللاصقة العالقة بالثلاجة باستخدام الجانب اللاصق من الشريط الذي تمت إزالته. ولهذا الغرض قم بوضع الجانب اللاصق للشريط على البقايا اللاصقة ثم انزعه مع تكرار هذه العملية حتى يتم إزالة البقايا اللاصقة بالكامل).
- لا تقم بخلع وسائل تأمين النقل من الرفوف وأدرج التخزين حتى يتم تركيب الثلاجة بشكل كامل.
- بعد تركيب الثلاجة قم بخلع وسائل تأمين النقل من جهاز إعداد الثلج. ولهذا الغرض قم بسحب جهاز إعداد الثلج إلى الخارج.

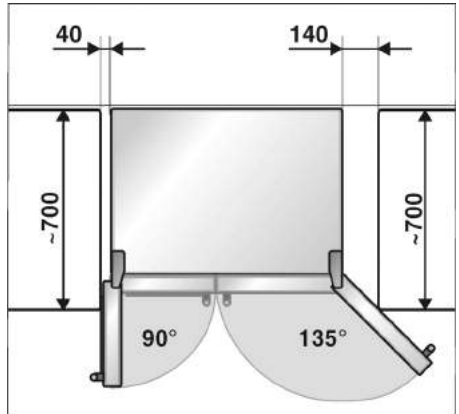


تحذير:

قبل توصيل الثلاجة بمصدر الإمداد بالتيار الكهربائي قم بإزالة جميع مواد التغليف الداخلية والخارجية.

إذا كان عمق تجهيز المطبخ المجاورة أكبر من ٦٠ سم، فيجب الالتزام بالحد الأدنى للمسافات الجانبية حتى يمكن الاستفادة من زاوية فتح الباب بالكامل.

زاوية فتح الباب	الحد الأدنى للمسافة
٩٠°	٤٠ مم
١٣٥°	١٤٠ مم



في حالة تركيب لوح أو إحدى وحدات المطبخ أعلى الثلاجة، تأكد من توافر حيز فراغ كاف بحيث يمكن سحب الثلاجة خارج موضع التركيب إذا لزم الأمر.

مكان التركيب

تحذير:

الثلاجة ثقيلة للغاية، لمعرفة الوزن الفارغ لها انظر الجدول التالي.

الطران الأساسي	١٠٤ كجم
الطران المزود بجهاز صب الماء وإخراج الثلج	١١٣ كجم
الطران المزود بدرج مشروبات	١١٥ كجم

قم بتركيب الثلاجة في غرفة جافة وبها تهوية جيدة. ينبغي ألا يكون مكان التركيب معرضاً لأشعة الشمس المباشرة أو قريباً من مصادر الحرارة مثل الموقد أو المشع أو ما شابهه. وإذا كان من غير الممكن تجنب تركيب الثلاجة بالقرب من مصدر حرارة، فينبغي استخدام لوح عازل مناسب أو الالتزام بالحد الأدنى من المسافات الفاصلة بين الثلاجة ومصدر الحرارة، وهو كما يلي:

– ٣ سم بالنسبة للموقد الكهربائي.

– ٣٠ سم بالنسبة للموقد العامل بالزيت أو العامل بالوقود الصلب.

يجب أن تتسم الأرضية التي ستركب عليها الثلاجة بالمتانة والصلابة. قم بتقوية الأرضية وتدعيمها إذا لزم الأمر (الثلاجة ثقيلة جداً، حيث يبلغ وزنها وهي فارغة ١٤٥ كجم تقريباً، في حين يصل وزنها إلى ٤٠٠ كجم إذا كانت محملة). يجب أن تكون الثلاجة في وضع قائم لضمان قيام جهاز إعداد الثلج بوظيفته بشكل صحيح. عند تركيب الثلاجة في أحد أركان الغرفة أو بين وحدات المطبخ يجب الالتزام بالحد الأدنى من المسافات الجانبية الفاصلة لضمان فتح الأبواب حتى النهاية (انظر موضوع «أبعاد الثلاجة والتركيب»).

تعليمات التركيب

ملحوظة هامة:

تسري تعليمات التركيب هذه على العديد من الموديلات.

ليست كل الخطوات ضرورية بالنسبة لبعض الموديلات.

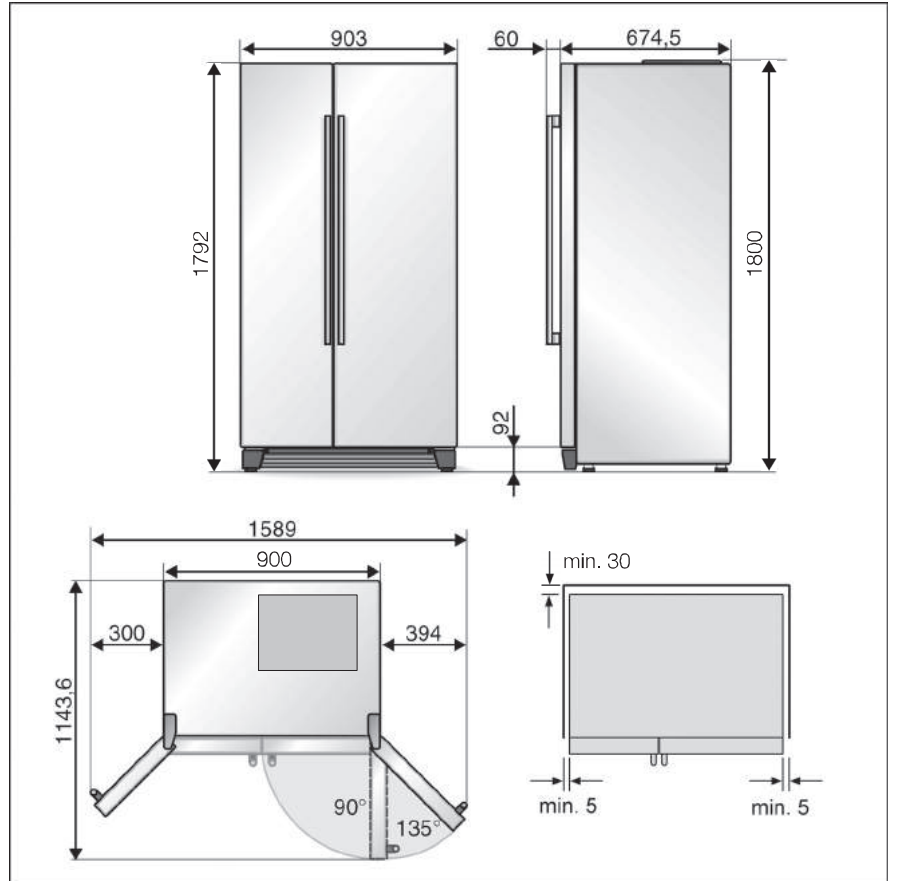
لا يجوز تركيب الثلاجة وتوصيلها إلا عن طريق فني معتمد وطبقاً لتعليمات التركيب.

قم دائماً بتوصيل الثلاجة بالماء قبل توصيلها بالكهرباء.

بالإضافة إلى اللوائح القانونية المحلية يجب عليك الالتزام بشروط التوصيل الخاصة بمرفق الكهرباء والمياه المحلي.

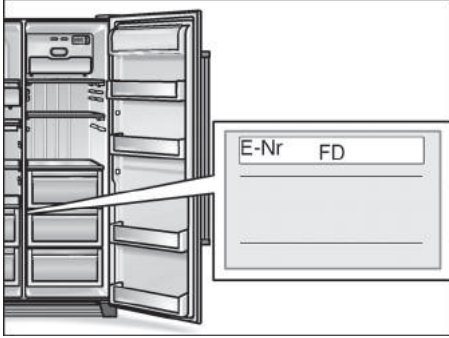
احتفظ بتعليمات التركيب في مكان آمن.

أبعاد الثلاجة والتركيب



الاتصال بخدمة العملاء

تجد عنوان مركز خدمة العملاء القريب منك في دليل الهاتف أو في دليل مراكز خدمة العملاء. من فضلك أعط خدمة العملاء رقم المنتج (E-Nr.) ورقم الصنع (FD) الخاصين بالثلاجة. توجد هذه المعلومات على ملصق بيانات المنتج.



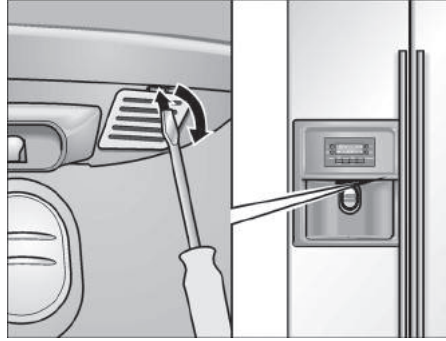
من فضلك ساعد خدمة العملاء على تجنب الذهاب إليك بدون داع من خلال ذكر رقم المنتج ورقم الصنع. وبذلك توفر على نفسك تحمل نفقات إضافية.

طلب الإصلاح والمشورة في حالة الأعطال

تجد بيانات الاتصال بمركز الخدمة الإقليمي لجميع البلدان في كتيب الخدمة المرفق.

استبدال لمبة مخرج الثلج والماء

- تنبيه: انزع القابس الكهربائي من المقبس أو افصل المصهر!
- حرك الغطاء إلى الخارج باستخدام مفك.



- استبدل اللمبة. اللمبة البديلة ٢٢٠ - ٢٤٠ فلت تيار متردد، داوة E14، لمعرفة بيان القدرة بالواط انظر اللمبة التالفة.



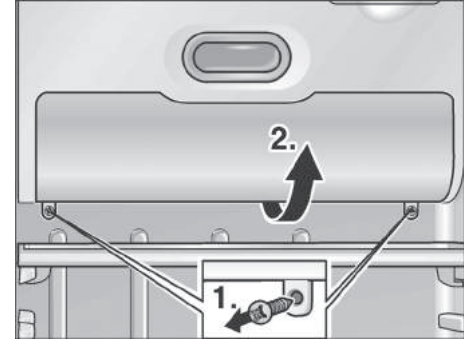
- أعد تركيب الغطاء.

استبدال اللمبات

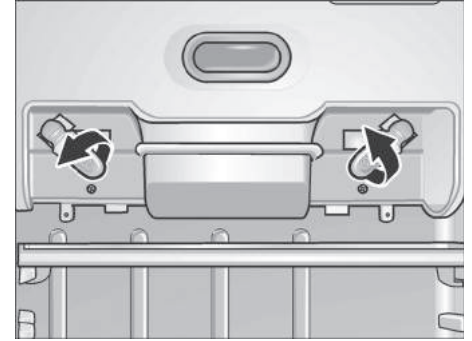
عناصر الإضاءة المستخدمة في الجهاز مناسبة للأجهزة المنزلية. عناصر الإضاءة لا تناسب إضاءة الغرف.

تغيير لمبة في الحيز الداخلي

- تنبيه: انزع القابس الكهربائي من المقبس أو افصل المصهر!
- قم بفك مسماري القلاووظ الموجودين أسفل الغطاء ثم اخلع الغطاء.



- استبدل اللمبة. اللمبة البديلة ٢٢٠ - ٢٤٠ فلت تيار متردد، داوة E14، لمعرفة بيان القدرة بالواط انظر اللمبة التالفة.



- أعد تركيب الغطاء.

العطل	الأسباب المحتملة	الحل
مكعبات الثلج منحصرة في مخرج إناء مكعبات الثلج أو في أداة تقطيع الثلج. مكعبات الثلج مبتلة.	مكعبات الثلج بدأت في الذوبان - انقطاع التيار الكهربائي أو لم يتم غلق باب قسم التجميد بشكل صحيح.	أخرج إناء مكعبات الثلج وأدر نابض الإزاحة بيدك. وأزل أية قطع ثلج منحصرة بواسطة عصا خشبية صغيرة. أخرج جهاز إعداد مكعبات الثلج وقم بتفريغه ثم جففه جيدا.
مكعبات الثلج تتبخر.	مكعبات الثلج تعوق غلق الغطاء القلاب.	تيار الهواء البارد المار على مكعبات الثلج يتسبب في تقلصها، وخاصة إذا كان استهلاكها قليلا. ويعد هذا أمرا طبيعيا. أخرج مكعبات الثلج.
الغطاء القلاب بجهاز إخراج مكعبات الثلج لا ينغلق بشكل صحيح. مكعبات الثلج منحصرة في القالب الخاص بها.	قد توجد ترسبات جيرية في القوالب ناشئة عن الماء.	قم بتنظيف القوالب باستخدام قطعة قماش مبللة بالخل. إذا كانت الترسبات الجيرية كثيفة فقم دائما بتنظيف القوالب عند كل تنظيف لقسم التبريد.
هناك تفاوت في حجم مكعبات الثلج ويوجد ماء في إناء مكعبات الثلج. جهاز صب الماء لا يعمل.	الثلاجة منصوبة على أرضية غير مستوية. صنبور الماء مغلق. انقطاع الإمداد بالماء. ضغط الماء منخفض للغاية. قسم التجميد دافئ للغاية.	اضبط اتران الثلاجة باستخدام ميزان ماء وباستخدام الأقدام أو العجلات القابلة لضبط الارتفاع (انظر تعليمات التركيب). افتح صنبور الماء. استعن بفني تركيبات صحية.
		اضبط درجة الحرارة في قسم التجميد على قيمة منخفضة (انظر موضوع «ضبط درجة الحرارة»).

تغلب بنفسك على الأعطال البسيطة

قبل اتصالك بخدمة العملاء:

يرجى التأكد مما إذا كان بإمكانك التغلب على العطل بنفسك بالاستعانة بالمعلومات التالية. يراعى أنك ستتحمل تكاليف استشارة خدمة العملاء، حتى إذا كانت الثلاجة مازالت في فترة الضمان!

قسم التبريد والتجميد

العطل	الأسباب المحتملة	الحل
الثلاجة لا تقوم بالتبريد. الإضاءة الداخلية لا تعمل.	انقطاع التيار الكهربائي، تم فصل المصهر، لم يتم إدخال القابس الكهربائي في المقبس بشكل صحيح.	تأكد مما إذا كان التيار الكهربائي يسري، يجب أن يكون المصهر موصلاً.
وحدة التبريد تعمل لمرات أكثر ومدد أطول من المعتاد.	تم فتح باب الثلاجة بشكل متكرر. يتم تجميد كميات كبيرة من المواد الغذائية الطازجة.	لا تفتح باب الثلاجة دون داع. لا تتجاوز الحد الأقصى لسعة التجميد.
درجة الحرارة في قسم التبريد أو قسم التجميد باردة للغاية.	تم تغطية فتحات التهوية.	أزل معوقات التهوية.
المواد الغذائية المجمدة ملتصقة بشدة بالمكان الموضوعة فيه.	تم ضبط درجة الحرارة على قيمة منخفضة للغاية.	اختر درجة حرارة أعلى نسبياً (انظر موضوع «ضبط درجة الحرارة»).
توجد طبقة سميكة من الثلوج في قسم التجميد.	المواد الغذائية المجمدة باستخدام أداة غير حادة. ولا تستخدم سكين أو أية أداة مدببة للقيام بذلك.	حاول تخليص المواد المجمدة باستخدام أداة غير حادة. ولا تستخدم سكين أو أية أداة مدببة للقيام بذلك.
الإضاءة الداخلية لا تعمل.	الللمبة تالفة.	تأكد دائماً من أن باب الثلاجة مغلق.
	مفتاح الضوء منحصر.	استبدل الللمبة (انظر «استبدال الللمبات»).
	تم فتح الجهاز لفترة أطول من اللازم. يتم إطفاء الإضاءة بعد مرور حوالي ١٠ دقائق.	افحص ما إذا كان مفتاح الضوء يتحرك.
درجة حرارة قسم التجميد لم تعد تصل إلى القيمة المضبوطة عليها.	باب قسم التجميد كان مفتوحاً لمدة طويلة للغاية. المبخر (ماكينة التبريد) مغطى بطبقة سميكة جداً من الثلج لدرجة أن نظام إذابة الثلوج الأوتوماتيكي بالكامل لم يعد بمقدوره إذابة هذه الكمية المتراكمة من الثلج.	بعد غلق وفتح الجهاز تعود الإضاءة مرة أخرى.
		أخرج المواد الغذائية المجمدة من الثلاجة، وقم بعزلها جيداً عن تأثيرات الوسط المحيط واحفظها في مكان بارد. بعد مرور حوالي ١٢ ساعة يكون الثلج الموجود في نظام التبريد قد ذاب. عاود تشغيل الثلاجة، ثم ضع المواد الغذائية المجمدة فيها مرة أخرى.
		ملحوظة!
		لا تفتح باب قسم التبريد كثيراً دون داع، لتجنب تسرب البرودة إلى الخارج.
		إذا تعذر إزالة العطل بالاستعانة بالمعلومات السالف ذكرها، فيرجى الاتصال بخدمة العملاء.

جهاز صب الماء وإخراج الثلج

العطل	الأسباب المحتملة	الحل
بالرغم من طول مدة التشغيل لا يتم إخراج مكعبات الثلج.	صنبور الماء مغلق.	افتح صنبور الماء.
	انقطاع الإمداد بالماء. ضغط الماء منخفض للغاية.	استعن بفني تركيبات صحية.
	جهاز إعداد الثلج مغلق. والرمز الخاص بذلك مضيء في شاشة العرض.	اضغط على زر منع تشغيل جهاز إعداد الثلج «Ice maker».
	قسم التجميد دافئ للغاية.	اضبط درجة الحرارة في قسم التجميد على قيمة منخفضة (انظر موضوع «ضبط درجة الحرارة»).
مكعبات الثلج موجودة في الإناء المخصص لها ولكن لا يتم إخراجها.	مكعبات الثلج ملتصقة ببعضها البعض.	أخرج إناء مكعبات الثلج وقم بتفريغها.

إذابة الثلوج

تتم إذابة الثلوج أوتوماتيكياً.

الماء الناتج عن إذابة الثلوج ينساب في اتجاه حوض التبخر بظهر الثلجة ويتبخر أوتوماتيكياً.

تنظيف الثلجة

- **تنبيه:** انزع القابس الكهربائي من المقبس أو افصل المصهر!
- نظف إطار إحكام غلق الباب بالماء فقط، ثم جففه جيداً.
- نظف الثلجة بماء دافئ ممزوج بإحدى مواد التنظيف. تجنب وصول ماء التنظيف إلى لوحة التحكم أو عناصر الإضاءة.
- لا تستخدم مذيبات أو منظفات أكالة أو حمضية أو ذات قاعدة كلور.
- لا تضع الأرفف الزجاجية الباردة في الماء الساخن مباشرة بعد إخراجها من قسم التجميد.
- لا تقم أبداً بتنظيف الأرفف أو الأوعية في غسالة الأواني. فقد تضرراً تغييرات على هيئة هذه الأجزاء.
- بعد التنظيف: أدخل القابس الكهربائي في المقبس أو أعد توصيل المصهر!

⚠ تحذير!

لا تلمس أبداً المواد الغذائية المجمدة ويديك مبتلتين. فقد يؤدي ذلك إلى التصاق يديك بالمواد الغذائية المجمدة. خطر الإصابة!

لا تقم أبداً بتنظيف الثلجة باستخدام أجهزة التنظيف بالبخار. فقد يصل البخار إلى أجزاء الثلجة الموصلة بالشبكة الكهربائية ويتسبب في حدوث دائرة قصر أو التعرض لصعقة كهربائية. كما أن البخار يمكن أن يلحق الضرر بالأسطح البلاستيكية.

الأصوات الصادرة عند التشغيل

الأصوات العادية

الطنين – وحدة التبريد مشغلة. المروحة في نظام دورة الهواء مشغلة.

أصوات بلوب أو غرغرة أو أزيز – وسيط التبريد يتدفق في المواسير. الماء يتدفق إلى داخل جهاز إعداد الثلج.

صوت كليك – يتم تشغيل المحرك أو إيقافه. جاري فتح أو غلق الصمام المغناطيسي بوصلة الإمداد بالماء.

صوت طقطقة – مكعبات الثلج الخارجة من جهاز إعداد الثلج تسقط في الإناء المخصص لها.

الأصوات التي يمكن تجنبها بسهولة

الثلجة منصوبة على أرضية غير مستوية

يرجى ضبط أوزان الثلجة باستخدام ميزان ماء. استخدم الأقدام القابلة لضبط الارتفاع أو ضع شيئاً ما أسفل الأقدام.

الثلجة متلامسة مع قطع الأثاث أو الأجهزة المجاورة لها

يرجى إبعاد الثلجة عن قطع الأثاث أو الأجهزة المجاورة لها.

الأدراج أو السلال أو مواضع الحفظ سائبة أو منحصرة

يرجى إخراج الأجزاء القابلة للفلح لفحصها إذا لزم الأمر، ثم عاود تركيبها.

الأوعية تتلامس مع بعضها البعض

يرجى إبعاد الزجاجات أو الأوعية عن بعضها البعض.

كيف يمكنك توفير الطاقة

- قم بتركيب الثلجة في غرفة باردة وجيدة التهوية، ولكن مع تجنب تعريضها لأشعة الشمس المباشرة أو تركيبها بالقرب من أحد الأجهزة الحرارية (مثل المدفأة أو الفرن وغير ذلك). وإذا لزم الأمر استخدم لوح عازل.
- دع الأطعمة والمشروبات الساخنة تبرد قبل وضعها في الثلجة!
- ضع المواد الغذائية المجمدة في قسم التبريد عند الرغبة في إذابة التجمد عنها. وبذلك تستغل درجة الحرارة المنخفضة للمواد الغذائية المجمدة في تبريد المواد الغذائية الموجودة في قسم التبريد.
- احرص على أن يتم فتح وغلق باب الثلجة في أسرع وقت ممكن.
- قم بتنظيف ظهر الجهاز من وقت لآخر لتفادي زيادة استهلاك الكهرباء.
- لا يؤثر ترتيب الوصلات على قيم الطاقة الخاصة بالجهاز.

معلومات متعلقة بفلتر الماء

بعد الاستخدام ينخفض الضغط بدوره الماء. اتبع التعليمات عند إخراج الفلتر.

اجعل الماء يسري في دورة الماء في حالة عدم استخدام الثلاثة لفترة طويلة للغاية أو إذا كان للثلج/الماء طعم أو رائحة غير مستحبة. لهذا الغرض، قم بصب الماء عبر جهاز صب الماء لعدة دقائق. إذا لم يزول الطعم أو الرائحة، استبدل الفلتر.

اتخذ إجراءات الوقاية من التجمد. أخرج خرطوشة الفلتر إذا كنت تتوقع انخفاض درجة الحرارة إلى ما دون درجة التجمد.

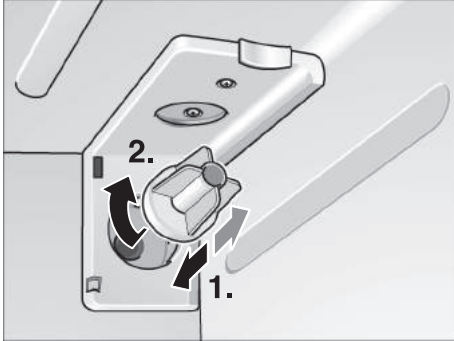
لا تقم بتثبيت فلتر الماء إذا كان ضغط الماء أكبر من ٨,٦ بار. إذا كان ضغط الماء أكبر من ٥,٥ بار، ففي هذه الحالة يلزم تركيب صمام تقليل الضغط. إذا لم تكن متأكدًا من قياس ضغط الماء، فاتصل بفني التركيب.

في حالة حدوث ارتفاع لضغط الماء في الماسورة، فلا تقم بتثبيت الفلتر دون استخدام منظم مناسب. اتصل بفني التركيب إذا لم تكن متأكدًا من إمكانية حدوث ارتفاع لضغط الماء في الماسورة أم لا.

بعد تركيب فلتر ماء جديد: تخلص من الثلج الذي تحصل عليه خلال أول ٢٤ ساعة بعد بدء التشغيل.

في حالة عدم إخراج أية كميات من الثلج لفترة طويلة: قم بإفراغ محتويات صندوق الثلج وتخلص من الثلج الذي تحصل عليه خلال ٢٤ ساعة تالية.

يمكن أيضا استخدام جهاز صب الماء وإخراج الثلج دون فلتر الماء، وفي هذه الحالة يلزم استخدام غطاء الغلق.



نشرة المواصفات والبيانات

CunoOCS
COFFEE • TEA • WATER • VENDING

نشرة بيانات الأداء الموديلات CS-452/CS-451

تم اختبار هذه الأنظمة طبقا لمعايير المؤسسة القومية الأمريكية للعلوم المسماة بـ NSF (National Sanitary Foundation) / المعهد القومي الأمريكي للمعايير المسمى بـ ANSI (American National Standards Institution) رقم ٤٢) وذلك لتقليل نسبة المواد المذكورة أدناه.

لقد تم تخفيض نسبة تركيز المواد المشار إليها في الماء الداخلة إلى النظام لتصل إلى نسبة تركيز أقل أو مساوية للحد المسموح به للماء الخارج من النظام كما ورد في معايير ANSI/NSF رقم ٤٢.

النظام مختبر ومعتمد من قبل مؤسسة NSF الدولية طبقا لمعايير ANSI/NSF رقم ٤٢ الخاصة بتقليل طعم ورائحة الكلور.



السعة: ١٥٠٠ جالون (٥٦٧٨ لتر) حسب ظروف الماء المحلي.

تقليل نسبة الشوائب المحددة عند إجراء اختبار NSF

تقليل الشوائب	معدل التدفق	تركيز مقاومة التدفق المحدد NSF	معدل الماء الناتج	معدل التقليل %	شروط التقليل NSF	اختبار NSF
طعم ورائحة الكلور	٢,٠	٢,٠ ملي جرام/لتر ± ١٠%	٠,٢٨	٨٦	≤ ٥٠%	503821-01

لاستخدام الماء البارد فقط.

تعليمات الاستخدام/بارامترات الإمداد بالماء	تيار الخدمة
٠,٥ جالون/دقيقة (١,٨٩ لتر/دقيقة)	مصدر الإمداد بالماء
مصدر عام أو خاص	ضغط الماء
٢٥ - ١٢٥ باوند علي الإنش المربع (١٧٢ - ٨٦٢ كيلو باسكال)	درجة حرارة الماء
٤٠ - ١٠٠ فهرنهايت (٤,٤ - ٣٨ مئوي)	

من الضروري استيفاء الشروط المتعلقة بعمليات التشغيل والصيانة وتغيير الفلاتر الخاصة بهذا الجهاز لكي يقوم بأداء وظيفته بالشكل الأمثل. احرص على تغيير الفلاتر كل ٦ شهور. واشطفه لمدة ٥ دقائق. وحرص على استخدام الفلاتر البديلة موديل CS-51 أو CS-52.

لا تستخدم ماء غير آمن من الناحية الميكروبيولوجية أو بدرجة جودة غير معروفة دون توافر تعقيم كافٍ قبل وبعد استعمال النظام.

يجب تركيب وتشغيل الأنظمة طبقا للخطوات والتعليمات الموصى بها من قبل الجهة الصانعة.

الضمان: انظر بطاقة الضمان.

للخدمات ولمزيد من المعلومات الرجاء الاتصال بوكيلنا المعتمد

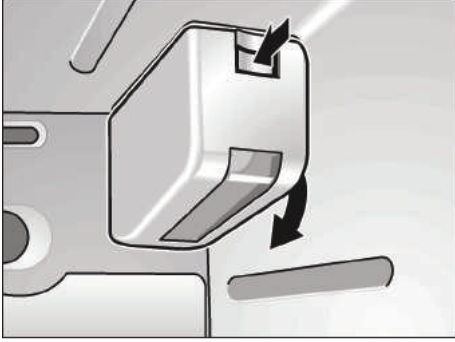


CUNO Incorporated
400 Research Parkway
Meriden, CT 06450, USA
لجميع أنحاء العالم:
203-237-5541
فاكس: 203-238-8701
www.cuno.com

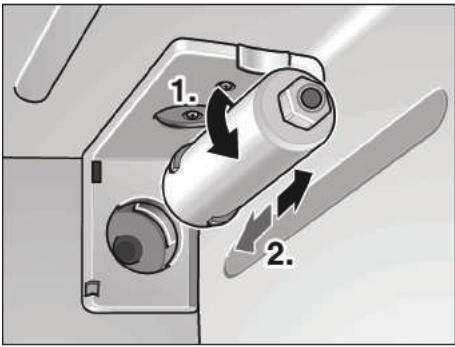
يرجى ملاحظة أن إجراء الاختبار تم في ظل ظروف وشروط مطابقة للمعايير والمقاييس وقد يختلف الأداء الفعلي عن ذلك.

تغيير الفلتر

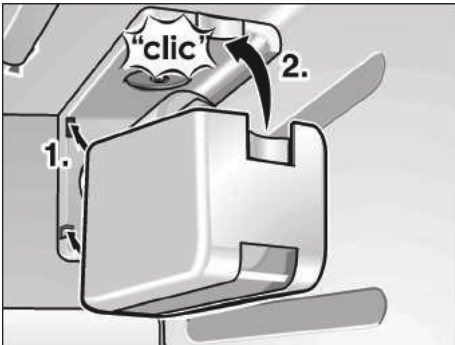
- تنبيه: انزع القابس من المقبس أو أوقف عمل قاطع الدائرة الكهربائية.
- افصل مصدر الماء عن الثلاجة.



- اضغط على الزر وأخرج الغطاء.



- أدر الفلتر بزاوية ٩٠° بحرص في عكس اتجاه عقارب الساعة ثم اخرجها.
- أخرج الفلتر الجديد من مواد التغليف وغطاء الحماية.
- قم بتركيب الفلتر الجديد في الحامل وأدره بزاوية ٩٠° بحرص في اتجاه عقارب الساعة.



- أعد تركيب الغطاء.

فصل جهاز إعداد مكعبات الثلج

في حالة عدم استهلاك مكعبات الثلج لفترة تزيد على أسبوع (قضاء عطلية على سبيل المثال)، فينبغي فصل جهاز إعداد مكعبات الثلج بشكل مؤقت تجنباً لالتصاق مكعبات الثلج ببعضها البعض.



- اضغط على زر منع تشغيل جهاز إعداد الثلج "Ice maker". فيضيء الرمز الدال على ذلك.
- أخرج وعاء مكعبات الثلج وأفرغه من محتوياته ثم أعد تركيبه. تأكد أن وعاء مكعبات الثلج مثبت بإحكام على الحوامل المخصصة له.
- إعادة تشغيل جهاز إعداد الثلج:
- اضغط على زر منع تشغيل جهاز إعداد الثلج "Ice maker". فينطفئ الرمز الدال على ذلك.

فلتر الماء

⚠ تحذير

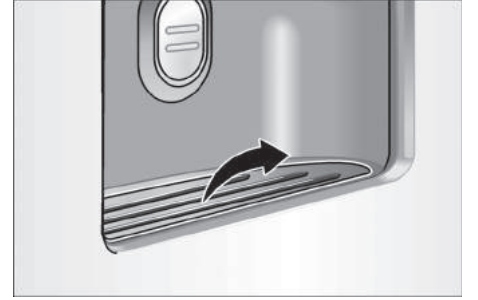
في الأماكن التي يصعب فيها تحديد أو ضمان جودة الماء، لا تستخدم الثلاجة دون استخدام مواد تعقيم ملائمة قبل أو بعد عملية الترشيح.

يمكن الحصول على فلتر جديد عبر خدمة ما بعد البيع.

قم بتغيير الفلتر كل ٦ أشهر على أقل تقدير، وكذلك عند ظهور رمز «ضرورة تغيير الفلتر» في شاشة البيان على أقصى تقدير.

إخراج وعاء تجميع الماء المتساقط وتنظيفه

تتجمع قطرات الماء المتساقطة في وعاء تجميع الماء المتساقط. الذي يمكن إخراجها من الجهاز من أجل إفراغ محتوياته وتنظيفه.



إخراج وعاء مكعبات الثلج وتنظيفه

إذا لم يتم إخراج مكعبات الثلج من الجهاز لفترة طويلة فإنها تتقلص بعض الشيء وتكتسب مذاق الماء الراكد وتلتصق ببعضها البعض.

- أخرج الوعاء وأفرغه من محتوياته ثم قم بتنظيفه بماء فاتر.
- قم بتجفيف الوعاء ونافض الإزاحة جيداً كي لا تلتصق بهما مكعبات الثلج الجديدة.

تركيب وعاء مكعبات الثلج

- ادفع وعاء مكعبات الثلج على الحوامل المخصصة له حتى النهاية إلى أن يثبت تماماً.

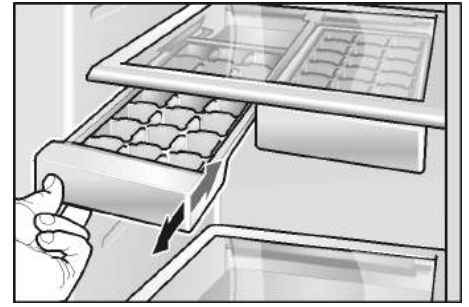


- في حالة تعذر دفع الوعاء حتى النهاية تماماً، أدر نافض الإزاحة الموجود بالوعاء بعض الشيء.

عندئذ يواصل الجهاز إنتاج مكعبات الثلج.

إعداد مكعبات الثلج

(الثلاجات غير المزودة بجهاز إعداد الثلج)



• املا ثلاثة أرباع درج مكعبات الثلج بالماء ثم ضعه في قسم التجميد.

• لإخراج مكعبات الثلج قم بثني درج مكعبات الثلج قليلا أو ضعه تحت ماء جار لفترة قصيرة

جهاز صب الماء وإخراج الثلج أوتوماتيكيا

يمكن الحصول من الثلاجة على الآتي:

- ماء بارد
- مكعبات ثلج
- ثلج مجروش

⚠ تحذير!

لا تستخدم أوعية سهلة الكسر لصب الماء أو دفع الثلج فيها، خطر الإصابة بجروح من جراء الزجاج المتكسر!

لا تدخل أصابعك في فتحة إخراج الثلج. خطر الإصابة بجروح بفعل أنصال تكسير الثلج!

ملحوظة:

لا يعمل جهاز صب الماء وإخراج الثلج إلا إذا كانت الثلاجة موصلة بالشبكة الكهربائية.

ما يجب مراعاته عند تشغيل الثلاجة الجديدة

بعد توصيل الثلاجة تظل هناك فقاعات هوائية في المواسير.

دع ماء الشرب ينساب إلى أن يصبح خال من الفقاعات ثم اسكب هذه الكمية. اسكب كذلك الأكواب الخمسة الأولى.

عند استخدام جهاز إعداد الثلج لأول مرة، احرص على عدم استخدام الكمية الأولى من مكعبات الثلج (من ٣٠ إلى ٤٠ مكعب) لأسباب تتعلق بالصحة والنظافة.

تشغيل جهاز إعداد الثلج

عندما تصل درجة حرارة قسم التجميد إلى درجة التجميد، فإن الماء يتدفق عبر جهاز إعداد الثلج متحولاً إلى مكعبات من الثلج. وعندما يتم تجهيز مكعبات الثلج فإنها تخرج أوتوماتيكيا في وعاء مكعبات الثلج.

وفي بعض الأحيان تلتصق مكعبات الثلج ببعضها البعض. إلا أنها عادة ما تنفصل عن بعضها عندما يتم نقلها إلى فتحة التفريغ.

في حالة امتلاء وعاء مكعبات الثلج فسيوقف جهاز إعداد الثلج بشكل تلقائي.

تبلغ الطاقة الإنتاجية لجهاز إعداد الثلج حوالي ١٠٠ مكعب من الثلج خلال ٢٤ ساعة.

لا تضع زجاجات أو مواد غذائية في وعاء مكعبات الثلج بغرض تبريدها بشكل سريع. فقد يؤدي ذلك إلى انسداد جهاز إعداد الثلج وتعرضه للضرر.

إنتاج الدفعة الأولى من مكعبات الثلج بعد تشغيل الجهاز يتطلب فترة تصل إلى ٢٤ ساعة تقريبا.

أثناء إنتاج مكعبات الثلج يمكن سماع طنين صادر عن صمام الماء وهدير ناجم عن تدفق الماء إلى درج مكعبات الثلج وأصوات تساقط مكعبات الثلج.

جودة ماء الشرب

كافة الخامات المستخدمة في إنتاج جهاز صب الماء عديمة الرائحة وليس لها أي تأثير على الطعم.

وإذا كان للماء طعم ما، فقد يعزى ذلك إلى الأسباب الآتية:

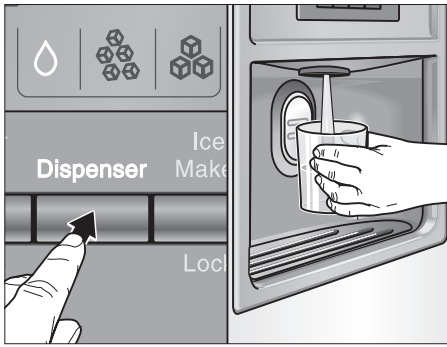
- امتزاج ماء الشرب بمواد معدنية وكلور.
- الخامات المستخدمة في مواسير المياه المركبة في المنزل أو مواسير شبكة المياه.
- تجدد ماء الشرب (إذا لم يتم صب الماء لفترة طويلة، فقد يكتسب مذاق الماء «الراكد».
- وينبغي في مثل هذه الحالة ملء حوالي ١٥ كوب من الماء وسكبهم).

يمكن تحسين طعم الماء ورائحته من خلال تركيب فلتر الماء المرفق.

يقوم فلتر الماء المرفق فقط بترشيح الجزيئات من الماء الداخل إلى الثلاجة، ولا يرشح غيرها من البكتيريا والميكروبات.

الحصول على الماء

- اضغط على الزر إلى أن يضيء الرمز الدال على ذلك.



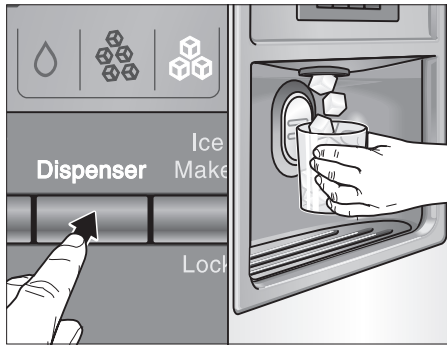
- اضغط على زر صب الماء باستخدام الكوب. ويتوقف تدفق الماء بمجرد رفع الكوب عن الزر.

فكرة مفيدة:

إن الماء المتدفق من جهاز صب الماء على نحو من البرودة مناسب للفم. وإذا كانت لديك الرغبة في المزيد من برودة الماء فيمكنك وضع بعض من مكعبات الثلج في الكوب قبل صب الماء فيه.

الحصول على الثلج

- اضغط على الزر إلى أن يضيء الرمز الدال على مكعبات الثلج أو الثلج المجروش.



- اضغط على زر إخراج الثلج باستخدام وعاء مناسب.

ملحوظة:

- توقف عن الضغط على الزر بمجرد امتلاء منتصف الوعاء تقريبا بالثلج. حيث أن الثلج المتواجد في الفوهة التي يندفع منها قد يتساقط منه ما يفوق استيعاب الوعاء وقد يؤدي إلى انسداد الفوهة.
- بعد التحويل من وضع الحصول على مكعبات الثلج إلى الثلج المجروش يظل في الجهاز بعض من مكعبات الثلج الكاملة أو أجزاء منها، يتم إخراجها مع أول دفعة من الثلج المجروش.

المنتجات التالية تصلح لتغليف المواد الغذائية:

الرقائق البلاستيكية والرقائق المصنوعة من البولي إيثيلين ورقائق الألومنيوم والعلب المخصصة للتجميد. يمكن الحصول على هذه المنتجات من المتاجر المتخصصة.

المنتجات التالية تصلح لإحكام تغليف المواد الغذائية:

الحلقات المطاطية والمشابك البلاستيكية وأشرطة الربط والأشرطة اللاصقة المقاومة للبرودة أو ما يشبهها.

يمكن غلق الأكياس والرقائق المصنوعة من البولي إيثيلين بواسطة جهاز لحام الرقائق.

سعة التجميد

يمكنك خلال ٢٤ ساعة تجميد كمية من المواد الغذائية يصل وزنها إلى ١٠ كجم.

مدة حفظ المواد الغذائية المجمدة

تتوقف مدة الحفظ على أصناف المواد الغذائية.

عند درجة الحرارة المعنية المقررة:

الأسماك والسجق والأطعمة الجاهزة والمخبوزات والفظائر	حتى ٦ أشهر
الجبنة والطيور واللحوم	حتى ٨ أشهر
الخضروات والفواكه	حتى ١٢ شهر

إذابة التجمد عن المواد الغذائية المجمدة

تبعاً لنوع المواد الغذائية وغرض الاستخدام يمكن إذابة التجمد عن المواد الغذائية المجمدة كما يلي:

– في درجة حرارة الغرفة

– في قسم التبريد

– في الفرن الكهربائي، المزود أو غير المزود بمروحة الهواء الساخن

– في جهاز الميكروويف

ملحوظة

لا تعاود تجميد مواد غذائية بدأ ذوبان التجمد عنها أو أذيب عنها التجمد بالفعل. يمكن فقط إعادة تجميد المواد الغذائية التي تم طهيها من قبل (مطبوخة أو مقلية).

لا تقم بحفظ المواد الغذائية المجمدة حتى مدة الحفظ القصوى.

تجميد وحفظ المواد الغذائية

حفظ المواد الغذائية المجمدة

اتبع الآتي عند شراء المواد الغذائية المجمدة:

- تأكد أن الغلاف ليس به ضرر.
- تأكد من تاريخ الصلاحية.
- درجة حرارة ثلاجة التجميد الموجودة بمحال البيع يجب أن تكون -18°C أو أقل. وإلا فإن مدة تخزين المواد الغذائية ستصبح أقصر.
- اجعل المواد الغذائية المجمدة في آخر مشترياتك. ويستحسن نقلها إلى المنزل في ورق صحف أو أكياس حافظة للبرودة.
- ضع المواد الغذائية المجمدة مباشرة في قسم التجميد فور الوصول إلى المنزل. وينبغي استهلاك المواد الغذائية المجمدة قبل انقضاء تاريخ صلاحيتها.

- لا تعاود تجميد المواد الغذائية التي أذيب عنها التجمد. ويستثنى من ذلك: المواد الغذائية التي جرى طهيها (المطبوخة أو المقلية) مسبقاً قبل تجميدها فإنه يمكن إعادة تجميدها.

تجميد المواد الغذائية بنفسك

لا تقم إلا بتجميد المواد الغذائية الطازجة التي ليس بها عطب. غلف المواد الغذائية بصورة محكمة خالية من الهواء أو وضعها في أوعية حتى لا تفقد نكهتها أو تجف. يجب تجميد المواد الغذائية بأسرع ما يمكن للحفاظ على الفيتامينات التي تحتوي عليها وقيمتها الغذائية وشكلها الناضج ونكهتها. لا تتجاوز الحد الأقصى لسعة التجميد.

كيفية تغليف المواد الغذائية بطريقة صحيحة:

- ضع المواد الغذائية في الكيس.
- ادفع الهواء إلى الخارج تماماً من خلال الضغط على الكيس.
- أغلق الكيس بإحكام.
- اكتب نوع المادة الغذائية وتاريخ التجميد على الكيس.

المنتجات التالية غير صالحة لتغليف المواد الغذائية:

ورق التغليف والورق المصمت المقاوم للشحوم والسلوفان وأكياس القمامة وأكياس التسوق المستعملة.

قسم التجميد

يمكن ضبط درجة حرارة قسم التجميد بدءاً من -16°C وحتى -22°C . ونحن نصح بالضبط على -18°C .

استخدام قسم التجميد

– لحفظ المواد الغذائية المجمدة.

– لتجميد المواد الغذائية.

– لإعداد مكعبات الثلج.

ملحوظة:

تأكد دائماً أن باب قسم التجميد مغلقاً دائماً. فإذا ظل الباب مفتوحاً يذوب التجمد عن المواد الغذائية. وينجم عن ذلك تكون طبقات من الثلج في قسم التجميد. ومن ثم: سيتم فقدان الطاقة من جراء الزيادة في استهلاك الكهرباء.

التجميد السريع "Super"

تستخدم خاصية التجميد السريع عند الحاجة إلى تجميد كميات كبيرة من المواد الغذائية الطازجة، ويجب تشغيلها قبل ساعات تصل إلى ٢٤ ساعة قبل وضع المواد الغذائية في قسم التجميد ويتوقف ذلك على الكمية المطلوب تجميدها. في وضع التجميد السريع "super" يتم تبريد قسم التجميد على أسرع نحو ممكن.

- اضغط على الزر **super**.



في كل مرة تضغط فيها على الزر يتم تفعيل الوظيفة أو إيقاف فعاليتها. يشار إلى تفعيل وظيفة «التجميد السريع» برمز في شاشة البيان.

المواد الغذائية غير الملائمة للحفظ في درج «الطازج»:

- الفاكهة والخضروات الحساسة للبرودة (فواكه المناطق الحارة والأفوكادو والبابايا والباشن فروت والباذنجان والخيار والقلقل والخس)
- الفواكه التي لم تنضج بعد (الطماطم الخضراء والموز)
- البطاطس
- الجبن الجامد

انتبه عند شراء المواد الغذائية إلى الآتي:

إن «شراء المواد الغذائية الطازجة» يعد عاملاً هاماً بالنسبة لطول فترة صلاحيتها. وعليه فإنه من حيث المبدأ: كلما كانت المواد الغذائية طازجة قبل وضعها في درج الطازج طاللت مدة صلاحيتها. احرص دائماً على انتقاء المواد الغذائية الطازجة عند الشراء.

فترات الحفظ (عند صفر م°):

ارتباطا بالحالة الطازجة	
السجق وشرائح اللحم البارد واللحوم وأجزاء الذبائح الداخلية والأسماك واللبن الطازج واللبن الرائب	حتى ٧ أيام
قطع اللحم الصغيرة والسجق المقلي وعش الغراب والخس والخضروات ذات الأوراق	حتى ١٠ أيام
قطع اللحم الكبيرة والوجبات الجاهزة	حتى ١٥ يوم
السجق المدخن أو المملح والكرنب	حتى ٢٠ يوم
قطع اللحوم الكبيرة المعالجة بالحرارة واللحم البقري ولحوم الحيوانات البرية والبقول	حتى ٣٠ يوم

درج المشروبات

(ليست كل الطرازات مجهزة به)

إخراج المشروبات وغيرها من قسم التبريد دون الحاجة إلى فتح الباب.



درج «الطازج»

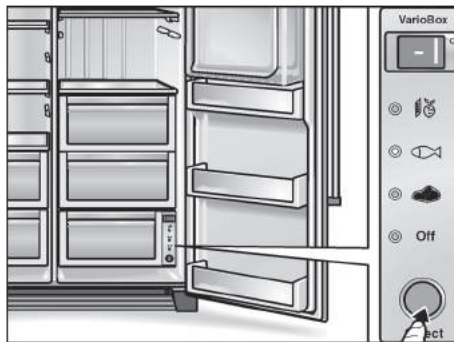
(ليست كل الطرازات مجهزة به)

تظل درجة الحرارة في هذا الدرج تقريبا عند صفر م°. وهذا يتيح إمكانية الحفظ المثالية للمواد الغذائية الطازجة.

الحفظ المثالي للمواد الغذائية:

- باستخدام زر الاختيار اختر المادة الغذائية المناسبة (خضروات/أسماك/لحوم).

يشار إلى الاختيار بإضاءة لمبة LED وبيان درجة الحرارة.



ملحوظة:

- في وضع الإيقاف "Off" يأخذ الدرج نفس درجة حرارة الدرج الموجود أعلاه.
- درجة الحرارة التي يتم عرضها هي درجة الحرارة اللازمة لهذا النوع من المواد الغذائية. وقد يكون هناك تفاوت بسيط بينها وبين درجة حرارة درج «الطازج».

التبريد

يمكن ضبط درجة حرارة قسم التبريد بدءاً من +٢ م° وحتى +٨ م°. ونحن ننصح بال ضبط على +٤ م°.

استخدام قسم التبريد

ملائم لحفظ المخبوزات والفطائر والأطعمة الجاهزة والمعلبات واللبن المركز والجبن الجامد والفواكه والخضروات الحساسة للبرودة: فواكه المناطق الحارة مثل اليوسفي والموز والأناناس والبطيخ والشمام والأفوكادو والبابايا والباشن فروت والباذنجان وبالإضافة إلى ذلك الفواكه التي تحتاج فترة للنضج والطماطم والخيار والطماطم الخضراء والبطاطس.

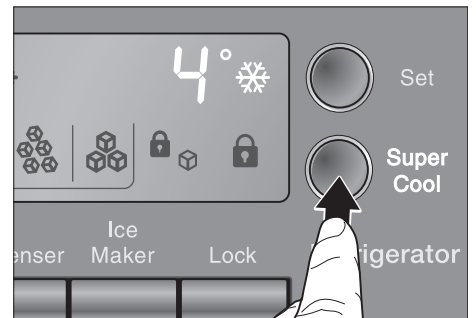
اتبع الآتي عند حفظ المواد الغذائية:

- اترك المواد الغذائية والمشروبات الساخنة تبرد أولاً خارج الثلاجة.
- احفظ المواد الغذائية في أوعية محكمة الغلق حتى لا تفقد نكهتها أو تجف.
- لا تدع الزيوت أو الشحوم تلامس الأجزاء البلاستيكية للثلاجة أو إطار إحكام غلق الباب.
- احفظ المشروبات المحتوية على نسبة عالية من الكحول في زجاجات محكمة الغلق وضعها في وضع رأسي. لا تقم على الإطلاق بحفظ أية مواد قابلة للانفجار في الثلاجة. خطر الانفجار!

التبريد السريع "Super"

وظيفة للتبريد السريع للمواد الغذائية والمشروبات والتي ينبغي تخزينها في قسم التبريد. في وضع التبريد السريع "super" يتم تبريد قسم التبريد على أسرع نحو ممكن.

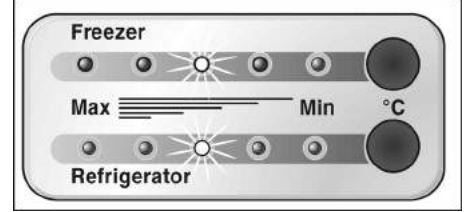
- اضغط على الزر super.



في كل مرة تضغط فيها على الزر يتم تفعيل الوظيفة أو إيقاف فعاليتها. يشار إلى تفعيل وظيفة «التبريد السريع» برمز في شاشة البيان.

الثلاجات المجهزة بلوحة تحكم في درجة الحرارة

- الثلاجة مجهزة بلوحة منفصلة للتحكم في درجة حرارة قسمي التبريد والتجميد.
- تم ضبط درجة حرارة كل من قسمي التبريد والتجميد في المصنع على قيمة متوسطة.

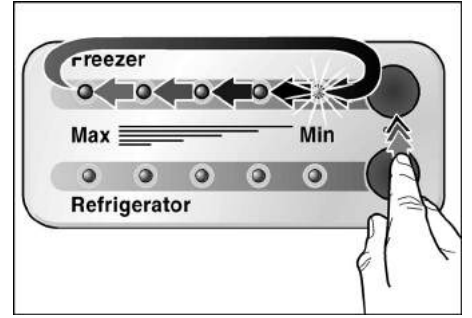


ملحوظة:

تبين لمبات الـ LED الخمسة درجة الحرارة الداخلية الخاصة بكل قسم، على سبيل المثال قسم التبريد من 2°C إلى 8°C .

لتغيير هذه القيم:

- استمر في الضغط على زر اختيار درجة الحرارة حتى يتم الوصول إلى وضع الضبط المرغوب.



تظهر قيم درجات الحرارة تدريجياً من القيمة الأكثر دفئاً (Min) إلى القيمة الأكثر برودة (Max).

إيقاف الثلاجة وفصلها

إيقاف الثلاجة

- افصل القابس الكهربائي.

فصل الثلاجة

إذا كنت تنوي عدم استخدام الثلاجة لفترة طويلة:

- أخرج جميع المواد الغذائية من الثلاجة.
- أوقف إمداد الثلاجة بالماء.

- قم بتفريغ صندوق مكعبات الثلج (انظر «تنظيف الثلاجة»).

- دع قطرات ماء الشرب المتبقية تتساقط.

- افصل القابس الكهربائي.

- اخلع فلتر الماء.

ملحوظة:

قبل تشغيل الثلاجة مرة أخرى فيما بعد قم بتركيب فلتر ماء جديد!

- قم بتنظيف الثلاجة من الداخل (انظر «تنظيف الثلاجة»).

لتجنب تكون الروائح الكريهة اترك الأبواب مفتوحة.

إذا كان هناك ما يشير إلى وجود خطر الصقيع فيجب تفريغ وعاء الماء الخاص بجهاز صب ماء الشرب بمعرفة فني متخصص (انظر تعليمات التركيب).

عند تغيير السكن

اخلع كل الأجزاء القابلة للفك وقم بتغليف كل جزء منها بعناية. قم بتأمين الأبواب والأغطية القلابية باستخدام أشرطة لاصقة وقم بنقل الثلاجة في وضع رأسي.

الوظائف

إنذار الباب

إذا تُرك أحد الأبواب مفتوحاً، فإن هذا يؤدي إلى صدور إشارة تحذيرية صوتية بعد دقيقة وتكرر كل ٦٠ ثانية لمدة ٥ دقائق.

انطفاء الإضاءة الداخلية

أوتوماتيكياً

إذا تُرك باب الثلاجة مفتوحاً لمدة تزيد على ١٠ دقائق، فإن الإضاءة الداخلية تنطفئ أوتوماتيكياً لتجنب ارتفاع درجة الحرارة. وهذا يعمل على توفير الطاقة.

وضع توفير الطاقة

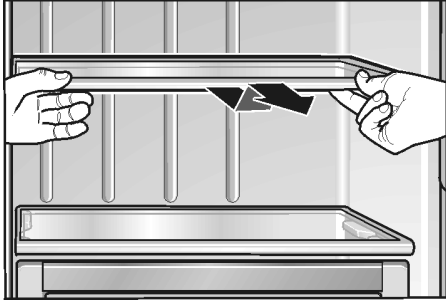
بعد ٢٠ ثانية من غلق الأبواب وآخر استعمال للأزرار بنطاق الاستعمال والبيان أو بمخرج الثلج والماء، يتغير بيان لوحة الاستعمال إلى وضعية توفير الطاقة ويعمل بقوة إضاءة منخفضة.

وبمجرد إعادة استخدام الثلاجة مرة أخرى، عند فتح الباب أو الضغط على أحد الأزرار مثلاً، تتحول الشاشة إلى قدرة الإضاءة العادية.

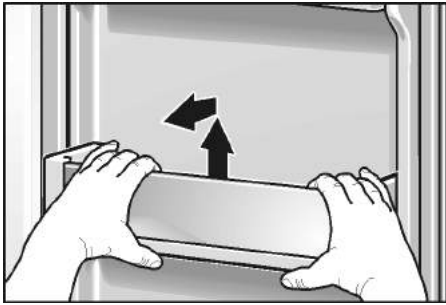
التصميم الداخلي المتنوع

يمكنك تغيير أوضاع رفوف الثلاجة وخانات الباب بما يتناسب مع مطالباتك الشخصية.

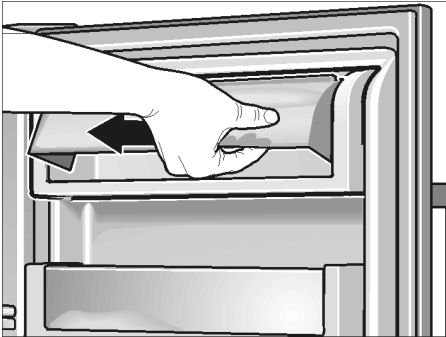
- اسحب الرف من الأمام وأخرجه من الثلاجة.



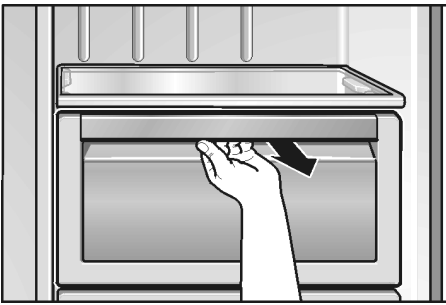
- ارفع درج الباب ثم اخلعه.



- ارفع غطاء رف حفظ الزبد والجبن إلى أعلى قليلاً، ثم اضغطه جهة اليسار واخلعه.



- اسحب الأدراج إلى الأمام وارفعها قليلاً لأعلى ثم اخلعها.



التركيب

مكان التركيب

قم بتركيب الثلاجة في غرفة جافة وبها تهوية جيدة. يجب ألا يكون مكان التركيب معرضاً لأشعة الشمس المباشرة أو بالقرب من مصدر حرارة كموقد أو مدفأة أو ما شابه ذلك، فإذا كان من الصعب تجنب التركيب بالقرب من مصدر للحرارة فينبغي هنا استخدام لوح عازل مناسب أو الاحتفاظ بالحد الأدنى التالي ذكره للمسافة الفاصلة بين الثلاجة ومصدر الحرارة:

– ٣ سم بالنسبة للموقد الكهربائي.

– ٣٠ سم بالنسبة للموقد العامل بالزيت أو العامل بالوقود الصلب.

يجب أن تتسم الأرضية التي ستركب عليها الثلاجة بالمتانة والصلابة. وإذا لزم الأمر قم بتدعيم الأرضية.

الثلاجة ثقيلة للغاية، لمعرفة الوزن الفارغ لها انظر الجدول التالي.

الطرز الأساسي	١٠٤ كجم
الطرز المزود بجهاز صب الماء وإخراج الثلج	١١٣ كجم
الطرز المزود بدرج مشروبات	١١٥ كجم

يجب أن تكون الثلاجة في وضع قائم لضمان قيام جهاز إعداد الثلج بوظيفته بشكل صحيح. استخدم ميزان ماء لضبط الوضع الرأسي للثلاجة. لضمان إمكانية فتح أبواب الثلاجة حتى النهاية حافظ على الحد الأدنى للمسافات الفاصلة عند تركيب الثلاجة في أحد أركان الغرفة أو في تجويف بجدار الغرفة (انظر موضوع «أبعاد الثلاجة»).

توصيل الثلاجة

بعد تنصيب الثلاجة انتظر لمدة ساعة على الأقل قبل تشغيلها. فأتثناء النقل قد يدخل الزيت الموجود بالكمبريسور إلى نظام التبريد.

قبل تشغيل الثلاجة للمرة الأولى قم بتنظيفها من الداخل (انظر «تنظيف الثلاجة»).

هذا الجهاز مطابق لفئة الحماية A. قم بتوصيل الجهاز بمصدر تيار متردد ٢٢٠-٢٤٠ فولت / ٥٠ هرتز باستخدام مقبس مزود بموصل تأريض واق ومركب بشكل سليم.

يجب أن يكون المقبس قريباً من الجهاز وأن يظل في متناول الأيدي بعد تركيب الجهاز. يجب تأمين المقبس بمصهر ذي معدل من ١٠ أمبير إلى ١٦ أمبير.

التهوية

ويجب أن يتمكن الهواء الساخن من المرور دون عوائق. وإلا فسوف يزداد التحميل على وحدة التبريد بما يزيد من استهلاك الطاقة.

لذلك: لا تقم على الإطلاق بتغطية أو سد فتحات التهوية!

⚠ تحذير!

لا يجوز أبداً توصيل الجهاز بمقبس إلكتروني موفر للطاقة الكهربائية.

يمكن مع أجهزتنا استخدام المحولات العاكسة للتيارات الكهربائية الجيبية والخطية.

وتستخدم المحولات العاكسة للتيارات الكهربائية الخطية مع الأنظمة الفوتوفلطية التي يتم توصيلها مباشرة بمصدر الإمداد بالكهرباء. أما المحولات

العاكسة للتيارات الكهربائية الجيبية فيجب استخدامها مع التطبيقات المستقلة (مثل السفن والأكواخ الجبلية) التي لا تتصل مباشرة بمصدر الإمداد بالكهرباء.

تنبيه:

قم بتركيب وسيلة لتخفيف الشد عند تركيب أو استبدال سلك الكهرباء.

لا تستخدم كابلات إطالة أو موزعات.

تشغيل الثلاجة

• ضع القابس الكهربائي بالمقبس.

تبدأ الثلاجة في التبريد بمجرد توصيلها بالشبكة الكهربائية. وعند فتح الأبواب تعمل الإضاءة الداخلية.

ملحوظة:

يتم الوصول إلى درجة الحرارة المضبوطة (وضع ضبط المصنع) بعد حوالي ساعتين أو ثلاث ساعات. لا تضع أية مواد غذائية بالثلاجة قبل انقضاء هذه الفترة.

لتغيير درجة الحرارة المضبوطة -> انظر «ضبط درجة الحرارة».

انتبه إلى درجة الحرارة المحيطة والتهوية

درجة الحرارة المحيطة

يوجد مستوى البيئة الحرارية على لوحة المواصفات الفنية. وهو يشير إلى نطاق درجة حرارة الغرفة التي سيجري تشغيل الثلاجة بها.

درجة الحرارة المحيطة المسموح بها	مستوى البيئة الحرارية
١٠+°م إلى ٣٢°م	SN
١٦+°م إلى ٣٢°م	N
١٦+°م إلى ٣٨°م	ST
١٦+°م إلى ٤٣°م	T

ملحوظة:

يمكن أن يعمل الجهاز في نطاق درجات الحرارة المحيطة المحددة للظروف المناخية المحددة. إذا تم تشغيل الجهاز في درجات حرارة منخفضة في فئة المناخ SN، يمكن تجنب حدوث أضرار بالجهاز حتى درجة حرارة تزيد على +٥م.

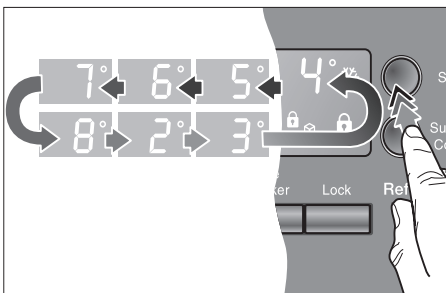
ضبط درجة الحرارة

الثلاجات المجهزة بلوحة تحكم

– يجري ضبط درجة الحرارة لكل من قسيمي التبريد والتجميد على نحو منفصل. ويشار إلى درجة الحرارة المضبوطة في شاشة البيان.

لتغيير هذه القيم:

• استمر في الضغط على زر اختيار درجة الحرارة حتى تظهر درجة الحرارة المرغوبة.



يقوم النظام بحفظ القيمة المبيّنة الأخيرة.

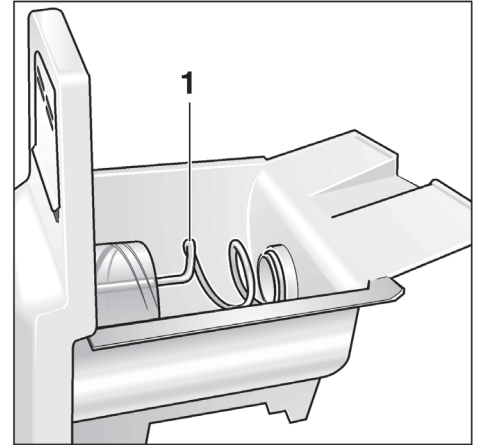
إذا لم تكن بعض الأجزاء الموضحة موجودة بثلاجتك، فإنها تخص طراز مختلف.

جهاز صب الماء وإخراج الثلج



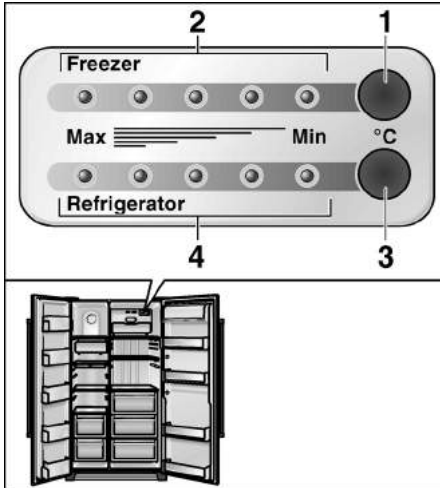
2 زر جهاز صب الماء وإخراج الثلج
3 وعاء تجميع الماء المتساقط

جهاز إعداد الثلج

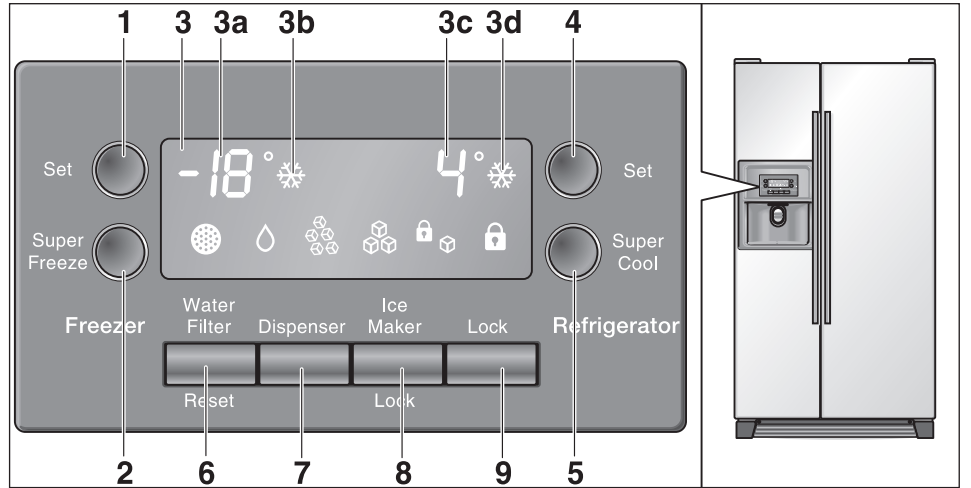


1 نابض الإزاحة

لوحة التحكم وشاشة البيان



التحكم في درجة الحرارة
1 زر اختيار درجة حرارة قسم التجميد
2 لمبة LED
لبیان درجة حرارة قسم التجميد
3 زر اختيار درجة حرارة قسم التبريد
4 لمبة LED لبیان درجة حرارة قسم التبريد



1 زر اختيار درجة حرارة قسم التجميد
2 زر التجميد السريع "super"
3 شاشة البيان
3a بیان درجة حرارة قسم التجميد
3b بیان التجميد السريع "super"
3c بیان درجة حرارة قسم التبريد
3d بیان التبريد السريع "super"
4 زر اختيار درجة حرارة قسم التبريد
5 زر التبريد السريع "super"
6 زر إرجاع بيان فلتر الماء
7 زر إنزال الماء/ الثلج
8 زر غلق جهاز إعداد الثلج
عند تنظيف جهاز إعداد الثلج أو التوقف عن استخدامه لفترة طويلة.
9 زر غلق لوحة التحكم (التأمين ضد عبث الأطفال)
اضغط على الزر لتأمين أو وضع الضبط ضد التغيير غير المقصود. لتحرير الزر اضغط عليه لمدة تزيد على ثانية واحدة. فيختفي البيان المعني.

شرح الرموز الموجودة بشاشة البيان

بيان «الماء»



بيان «ضرورة تغيير الفلتر». بعد تغيير الفلتر اضغط على زر إرجاع بيان الفلتر لمدة 5 ثوان تقريباً لإخفاء البيان.



بيان «الثلج المجروش»



بيان «غلق جهاز إعداد الثلج»



بيان «مكعبات الثلج»

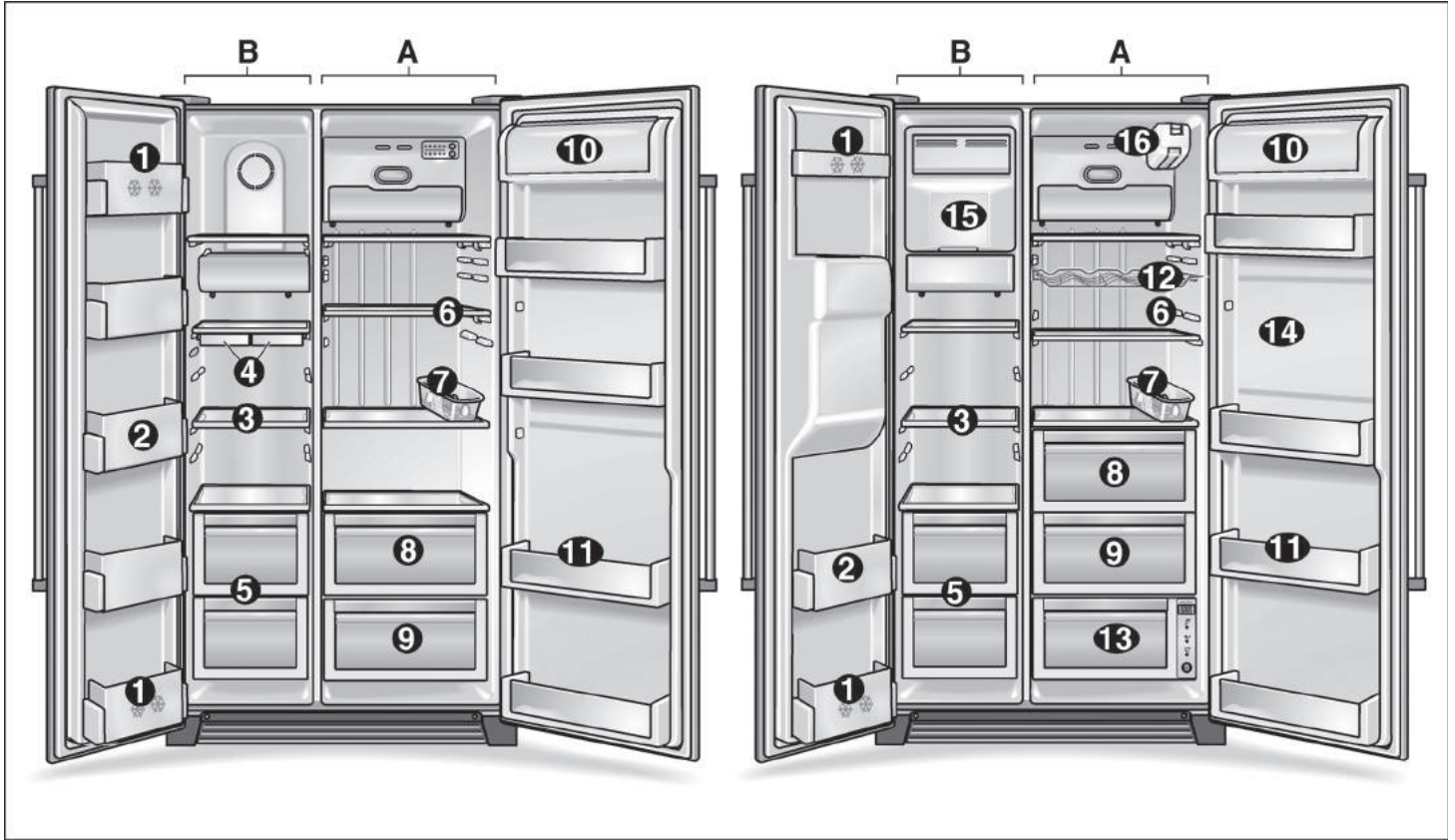


بيان «غلق لوحة التحكم»



ثلاجتك الجديدة

يسري هذا الدليل على العديد من الطرازات. لذا فإن الأشكال التوضيحية قد تختلف عن ثلاجتك.



A قسم التبريد
B قسم التجميد

- 14 درج المشروبات *
يفتح من الخارج لإخراج المشروبات بصورة سريعة دون الحاجة إلى فتح باب قسم التبريد.
- 15 جهاز إعداد الثلج *
لإعداد وحفظ مكعبات الثلج.
- 16 فلتر الماء *

- 6 رفوف زجاجية بقسم التبريد
لحفظ الأطعمة المطهية ومنتجات الألبان والسجق.
- 7 قالب البيض
- 8 صندوق الخضروات
- 9 صندوق الفاكهة
- 10 رف حفظ الزبد والجبن
- 11 رف الباب
لحفظ المعلبات والزجاجات والأوعية الزجاجية.
- 12 رف المشروبات *
- 13 درج الطازج *
للحفظ المثالي للأسماك واللحوم والطيور.

- 1 رف الباب (رف فئة نجمتين)
لحفظ المواد الغذائية والأيس كريم لفترة قصيرة.
- 2 رف الباب
لحفظ المواد الغذائية المجمدة.
- 3 رفوف زجاجية بقسم التجميد
لحفظ المواد الغذائية المجمدة مثل اللحوم والأسماك والأيس كريم.
- 4 إناء مكعبات الثلج *
- 5 درج قسم التجميد
ملائم لحفظ اللحوم والأسماك والطيور (مغلقة).

* ليست كل الطرازات مجهزة به

التجهيزات الموردة

بعد إخراج الجهاز من عبوة التغليف، تحقق من عدم تعرضها لأيّة أضرار أثناء النقل. إذا كانت لديك أية شكاوى، برجاء الاتصال بالموزع الذي اشترت منه الجهاز أو اتصل بخدمة ما بعد البيع.

يشتمل التوريد على الأجزاء التالية:

- الجهاز المستقل
- حقيبة وسائل التجميع
- الخصائص (تختلف حسب الموديل)
- دليل الاستعمال ودليل التركيب
- كتيب خدمة ما بعد البيع
- شهادة الضمان
- المعلومات المتعلقة باستهلاك الطاقة والوضوء

معلومات خاصة بالتخلص من الأغلفة والأجهزة القديمة

التخلص من مواد التغليف

تحمي مواد التغليف الغسالة من التعرض للضرر أثناء النقل.

جميع المواد المستخدمة في التغليف ملائمة للبيئة ويمكن إعادة تدويرها. فبرجاء المشاركة في الحفاظ على البيئة بالتخلص من مواد التغليف بطريقة ملائمة للبيئة.

يرجى معرفة أحدث الأساليب الجارية للتخلص من مواد التغليف من المحال التجارية المتخصصة أو الاستفسار عنها لدى الإدارة المحلية.

تحذير

لا تترك مواد التغليف وأجزائها في متناول الأطفال. خطر التعرض للاختناق من خلال علب الكارتون المطوية والأشرطة البلاستيكية!

التخلص من ثلاجتك القديمة

لا تدخل الأجهزة القديمة في عداد القمامة عديمة القيمة! ويمكن عن طريق إعادة تدويرها استخراج مواد خام منها ذات قيمة عالية.

هذا الجهاز مميز وفقا للمواصفة الأوروبية 2012/19/EU المتعلقة بالأجهزة الكهربائية والإلكترونية المستعملة (waste electrical and electronic equipment - WEEE). تحدد هذه المواصفة القواعد العامة لاسترداد وإعادة استغلال الأجهزة القديمة داخل نطاق الاتحاد الأوروبي.

تحذير

بالنسبة للأجهزة المستهلكة:

1. افصل القابس الكهربائي.
2. اقطع كابل الكهرباء وأبعده مع القابس الكهربائي.

تحتوي أجهزة التبريد على وسائط تبريد والأجزاء العازلة تحتوي على غازات. ويجب التخلص من وسائط التبريد والغازات على نحو سليم. تأكد من عدم تعرض مواسير دورة وسيط التبريد لأي ضرر قبل التخلص منها على النحو السليم.

تعليمات الأمان والتنبيهات التحذيرية

قبل الشروع في تشغيل الثلاجة

اقرأ كل من دليل الاستعمال والتركيب بعناية. حيث إنه يتضمن معلومات هامة تتعلق بتركيب واستخدام وصيانة الثلاجة.

تعتبر الجهة الصانعة غير مسؤولة عن أية أضرار ناتجة عن تجاهل المستخدم للمعلومات والتحذيرات الواردة في تعليمات الاستخدام.

احتفظ بكافة المستندات المرفقة مع الثلاجة للاستعانة بها عند الحاجة أو لتسليمها لأي شخص آخر قد يمتلكها في وقت لاحق.

تعليمات الأمان الفنية

⚠ تحذير

• استبدال سلك الكهرباء أو القيام بأية إصلاحات أخرى يجب أن يتم فقط بمعرفة خدمة العملاء. حيث إن أية تركيبات أو إصلاحات تتم بصورة غير سليمة يمكن أن تعرض المستخدم لمخاطر كبيرة.

معلومات هامة حول استخدام الثلاجة

• لا تستخدم على الإطلاق أية أجهزة كهربائية داخل الثلاجة (على سبيل المثال أجهزة التدفئة أو أجهزة إعداد الثلج الكهربائية وغيرها). خطر الانفجار!

• لا تستخدم على الإطلاق جهاز تنظيف البخار لإذابة الثلج المتكون بالثلاجة أو لتنظيفها. فقد يصل البخار إلى الأجزاء الكهربائية ويؤدي إلى حدوث دائرة قصر أو التعرض لصدمة كهربائية.

• لا تقم بتخزين أية منتجات تحتوي على غازات دافعة قابلة للاشتعال (مثل علب الإسبراي) أو أية مواد قابلة للانفجار داخل الثلاجة. خطر الانفجار!

• قاعدة الثلاجة وأدراجها وأبوابها وغيرها من الأجزاء ليست مهيأة للوقوف أو الاستناد عليها.

• قبل إذابة الثلج المتكون بالثلاجة أو تنظيفها، افصل القابس الكهربائي أو افصل المصهر. لا تقم بفصل القابس الكهربائي من خلال جذب الكابل.

• يجب إحكام غلق الزجاجات المحتوية على نسبة عالية من الكحول وتخزينها في وضع رأسي.

• حافظ على خلو الأجزاء البلاستيكية للثلاجة وإطار إحكام غلق الباب من الزيت والشحم. وإلا تعرضت هذه الأجزاء وإطار إحكام غلق الباب للتشققات.

• لا تقم على الإطلاق بتغطية أو سد فتحات التهوية الخاصة بالثلاجة.

• **تجنب الأخطار التي يمكن أن يتعرض لها الأطفال أو الأشخاص المهددون بالمخاطر:**

المهددون بالمخاطر هم الأطفال، أو الأشخاص الذين يعانون من نقص في القدرات الجسدية أو العقلية أو الذين لديهم قصور في الوعي، وكذلك الأشخاص الذين لا يمتلكون المعرفة الكافية حول استخدام الجهاز. تأكد أن الأطفال والأشخاص المهددون قد استوعبوا المخاطر المترتبة. يجب أن يقوم شخص مسؤول عن السلامة بمراقبة أو توجيه الأطفال أو الأشخاص المعرضين للخطر. يسمح فقط للأطفال من سن 8 أعوام باستخدام الجهاز. يجب مراقبة الأطفال عند التنظيف والصيانة. لا تسمح للأطفال أبداً بالعبث بالجهاز.

• لا تقم بوضع أية زجاجات أو علب بها مشروبات (لاسيما المشروبات المحتوية على أحماض كربونية) في قسم التجميد. فقد تنفجر الزجاجات والعلب!

• لا تتناول الأيس كريم أو مكعبات الثلج مباشرة فور إخراجها من قسم التجميد. خطر تعرض اللسان لقرصة برد بسبب درجة الحرارة المنخفضة للغاية!

• لا تمسك المواد الغذائية المجمدة ويداك مبتلتان. وإلا فقد تلتصق يدك بالمواد الغذائية المجمدة. خطر الإصابة!

• لا تكشف طبقات الثلج الرقيقة المتكونة أو المواد الغذائية المجمدة الملتصقة باستخدام سكين أو أية أداة حادة. فقد ينجم عن ذلك إلحاق الضرر بمواسير وسيط التبريد. فوسيط التبريد المتسرب يمكن أن يؤدي إلى حدوث إصابات بالأعين.

تعليمات متعلقة بالأطفال في المنزل

• لا تترك مواد التغليف وأجزائها في متناول الأطفال. خطر التعرض للاختناق من خلال علب الكارتون المطوية والأشرطة البلاستيكية.

• إذا كانت الثلاجة مجهزة بقفل، فاحفظ المفتاح بعيداً عن متناول الأطفال.

تعليمات عامة

الثلاجة مناسبة لما يلي

• تبريد المواد الغذائية،

• تجميد المواد الغذائية،

• إعداد الثلج.

هذا الجهاز مناسب للاستخدام حتى ارتفاع يصل إلى ٢٠٠٠ متر بحد أقصى فوق مستوى سطح البحر.

هذه الثلاجة مصممة فقط للاستخدام المنزلي وبما يتناسب مع بيئة المنزل.

الثلاجة معزولة لمنع التداخل الموجي طبقاً لمواصفة الاتحاد الأوروبي 2004/108/EC.

دورة وسيط التبريد خضعت لاختبارات للتأكد من مدى إحكامها.

هذه الشهادة تناسب لوائح السلامة ذات الصلة الخاصة بالأجهزة الكهربائية (EN 60335/2/24).

ar فهرس المحتويات

ar-2	تعليمات الأمان والتنبيهات التحذيرية
ar-3	معلومات خاصة بالتخلص من الأغلفة والأجهزة القديمة
ar-3	التجهيزات الموردة
ar-4	ثلاجتك الجديدة
ar-6	التركيب
ar-6	توصيل الثلاجة
ar-6	انتبه إلى درجة الحرارة المحيطة والتهوية
ar-6	تشغيل الثلاجة
ar-6	ضبط درجة الحرارة
ar-7	إيقاف الثلاجة وفصلها
ar-7	الوظائف
ar-7	التصميم الداخلي المتنوع
ar-8	التبريد
ar-9	قسم التجميد
ar-9	تجميد وحفظ المواد الغذائية
ar-10	جهاز صب الماء وإخراج الثلج أوتوماتيكيا
ar-11	فلتر الماء
ar-13	كيف يمكنك توفير الطاقة
ar-13	الأصوات الصادرة عند التشغيل
ar-13	إذابة الثلوج
ar-13	تنظيف الثلاجة
ar-14	تغلب بنفسك على الأعطال البسيطة
ar-16	استبدال اللبمبات
ar-16	الاتصال بخدمة العملاء
ar-17	تعليمات التركيب

Robert Bosch Hausgeräte GmbH

Carl-Wery-StraÙe 34

81739 München, GERMANY

www.bosch-home.com

EEE Yönetmeliğine Uygundur



9000805853 (9601)

en, fr, tr, fa, ar